

SMI200

Programmable compact controller

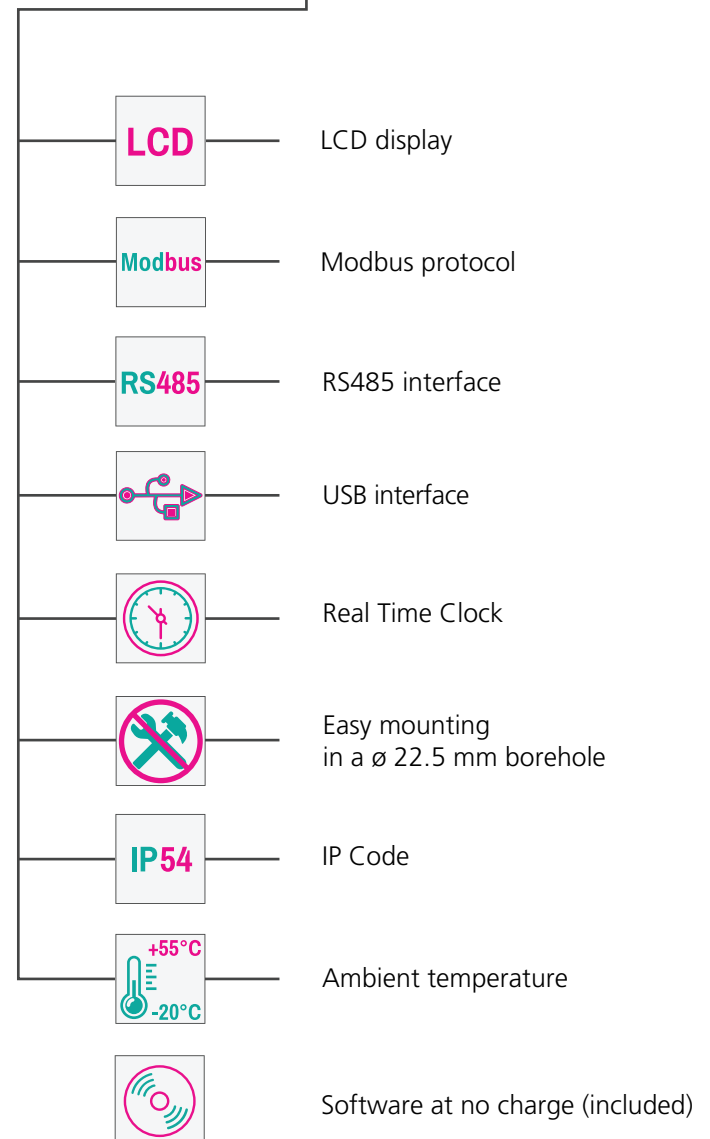
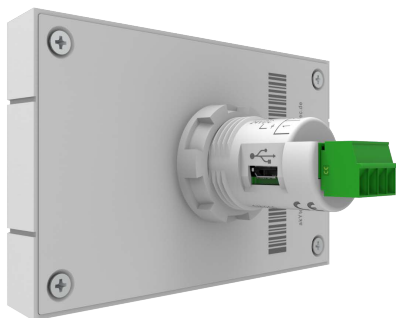
The SMI200 is a programmable compact controller for monitoring and control industrial processes. Instead of a number of inputs and outputs, the device is equipped with an RS485 interface. Due to this solution, the SMI200's enclosure is significantly minimized and fits into a standard 22.5 mm borehole for signal lamps, which provides quick and easy installation plus a plenty of SMI200s can be accommodated in a control cabinet door or on a panel. Over the RS485 interface, any Modbus extension modules (e.g. our Mx110 Series) can be connected to the device. As a result, any required combination of I/O-points can be selected. In a Modbus network, the SMI200 can operate both as a Master and as a Slave. The device programming is carried out using akYtec ALP programming software over micro-USB.

Functions and features:

- Freely programmable device
- 2-line 32-character LCD display
- Master / Slave in a Modbus network over RS485
- Easy mounting in a \varnothing 22.5 mm borehole
- Programming software akYtec ALP (at no charge)
- Real-time clock

Areas of applications:

- Indoor and outdoor lighting systems
- HVAC applications
- Engine control
- Oven / furnace / kiln control
- Lifting systems
- Access control



SMI200

Programmable compact controller

Technical Data:

General		
Power supply		24 (9...32) V DC
Power consumption, max.		2.5 W
Display		LCD with backlight, 2-line, 2x16-characters
Function keys		6
Real Time Clock		yes
Mounting		ø 22.5 mm borehole
Ambient temperature		-20...+55 °C
IP code		front IP54, rear IP20
Dimensions		100 x 60 x 60 mm
Weight		approx. 150 g
Programming		
Programming environment		akYtec ALP
Programming language		FBD
ROM memory		128 kB
Retain memory		1020 Byte
Interfaces		
RS485		2-pole connector
Protocols		Modbus RTU / ASCII (Master / Slave)
Baud rate		9.6...115.2 kbit/s
Programming interface		Micro-USB

Dimensions:

