

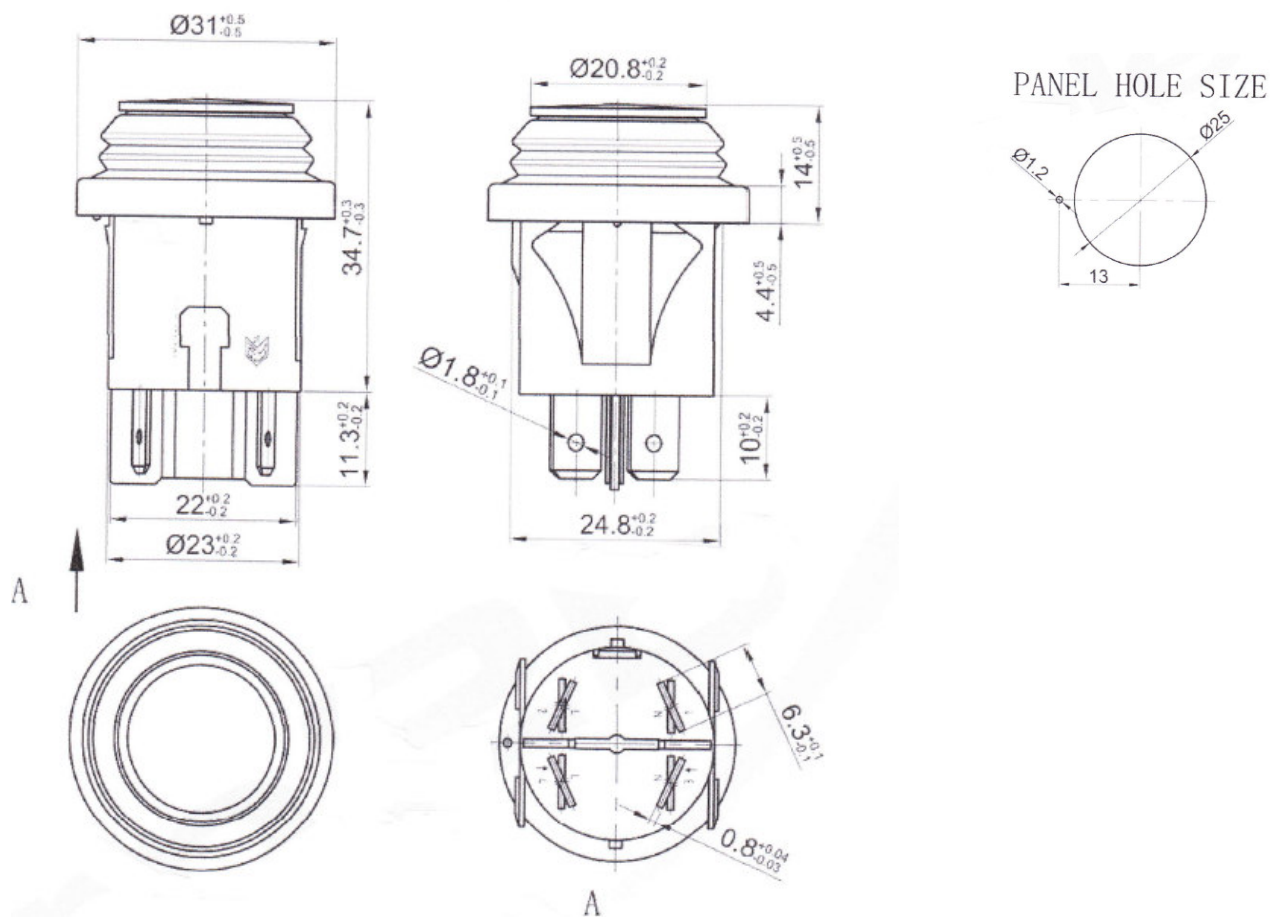
Data sheet

Article Description

Push-button Switch Type 3659

16 (6) A, 250 V, 2-pole, on/off switch, T 125°C,
 with rubber seal,
 faston 6.3 mm,
 fitting dimension \varnothing 25 mm,
dust and water proof according to IP 65,

Article Picture



<i>inter BÄR-No.</i>	<i>Colour</i>	<i>rubber seal</i>	<i>push-button</i>	<i>Version</i>
3659-250.22	black		green	illuminated
3659-295.22	black		red	illuminated

Technical modifications reserved!
Works at 230 V-mains must only be carried out by a specialist!