



## **Safety socket for flush mounting with 2 USB ports**



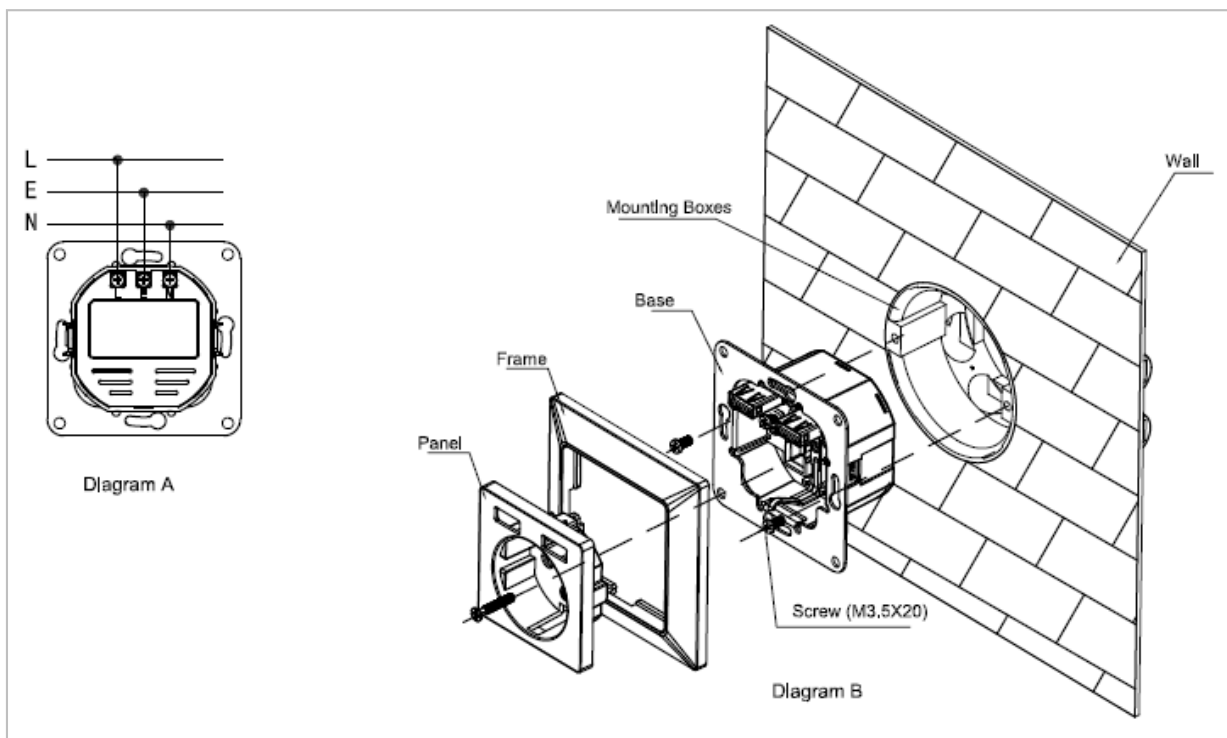
**Manual**  
DA-70613

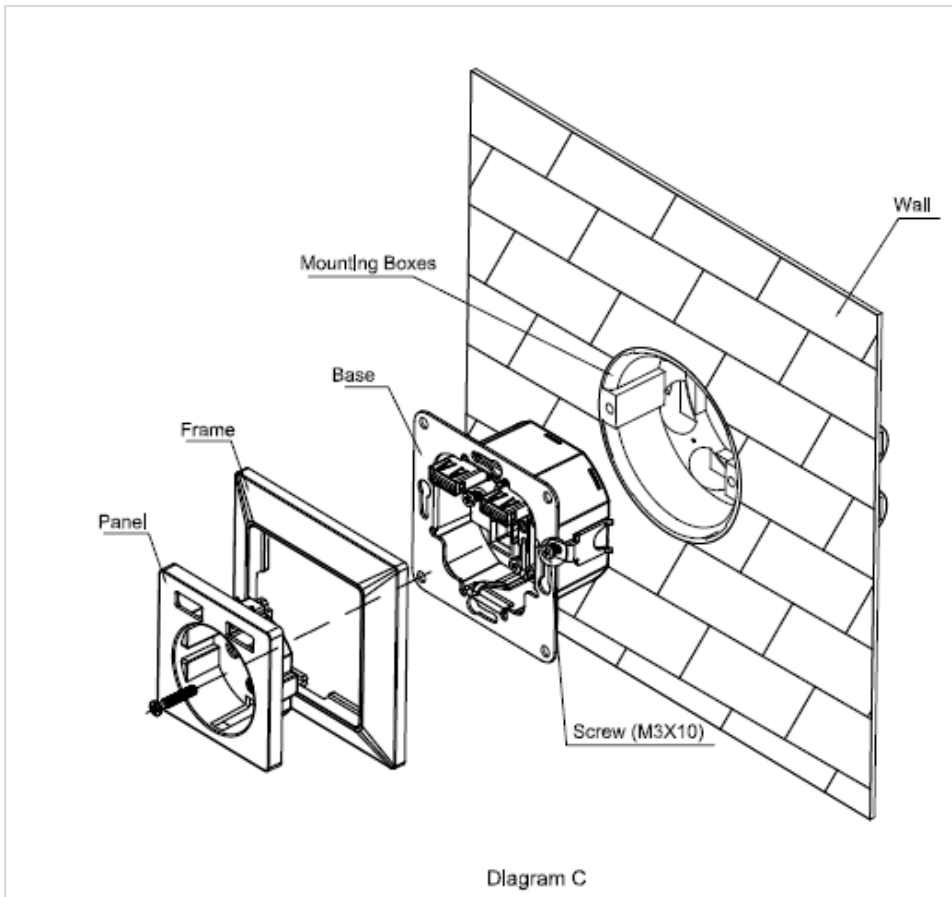
## A. Package Content

- Safety socket for flush mounting with 2 USB ports
- Mounting instruction

## B. Connections

1. Turn power off before installation.
2. To connect the base as shown in **Diagram A** before installing in into the mounting boxes, make sure there is no wire exposed at the connection.  
**Note** the phases cannot be ground trough to another safety wall outlet nearby.  
We recommend installing the safety outlet at the end of the row.  
**(ATTENTION: the cross-sectional area of wire connect power is at least  $1.5\text{mm}^2$  not exceed  $2.5\text{mm}^2$  )**
3. To fix the "base part", by using the screw or claw as Diagram B or Diagram C shown, and then insert the "frame" into the "base" part.  
3.1 For:



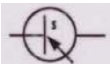


### C. Important Notes

1. DO NOT OVERLOAD.
2. To install the product properly, it needs to instruct by a qualified electrician.
3. The symbol in manual



For indoor use only



SMPS (switch mode power supply unit)



SMPS incorporating a Short-circuit-proof safety isolating transformer (inherently or non-inherently)



Symbol for class II

**E**

Protective earth



Protective earth

## D. Warning

**For your safety**, please read the following cautions before installing or using your device.

1. Do not open the device or attempt to repair it.
2. Use the device in a dry location, and avoid placing it in a humid environment.
3. Do not submerge the device in liquid or attempt to clean it with liquids or solvents. To clean the device, disconnect it from the power outlet and use a damp towel.
4. This device should only be used indoors.
5. USB Charger Adaptor for IT-equipment: do not exceed the total max output from both USB outputs.

## E. Energy efficiency

- Input: 250V~, 50Hz, Max 0.20A
- Output: 5.0V DC 2.1A, Max 10.5W
- Average active efficiency: 81.8%
- Efficiency at low load (10 %): 77.3%
- No-load power consumption: 0.09W

Hereby Assmann Electronic GmbH, declares that the Declaration of Conformity is part of the shipping content. If the Declaration of Conformity is missing, you can request it by post under the below mentioned manufacturer address.

**[www.assmann.com](http://www.assmann.com)**

Assmann Electronic GmbH  
Auf dem Schüffel 3  
58513 Lüdenscheid  
Germany

