

The device fronts may differ

Power Analyser

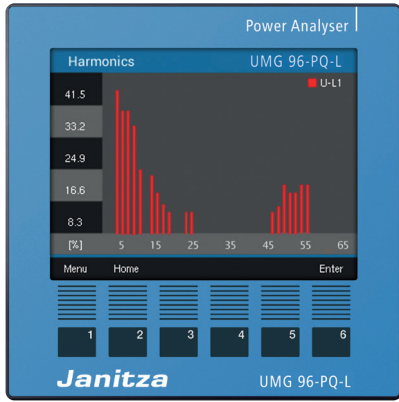
UMG 96-PQ-L

(From Firmware 1.0 / Hardware-Index 1)

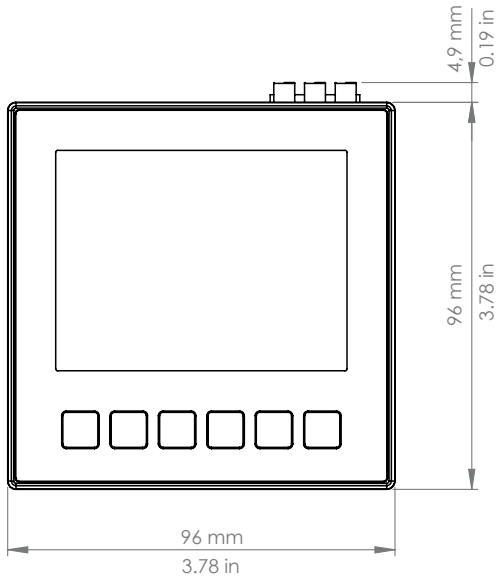
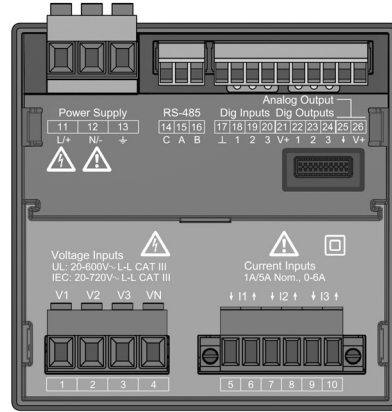
Data sheet

DEVICE VIEWS

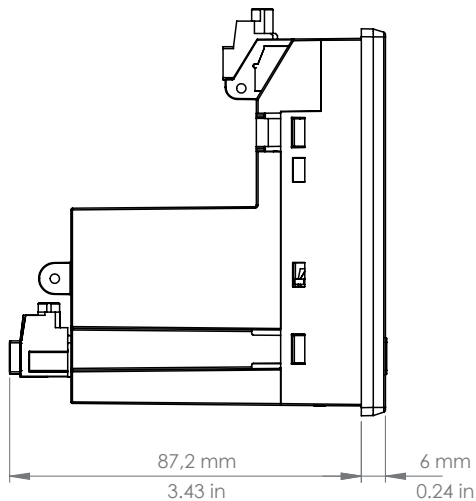
Front view



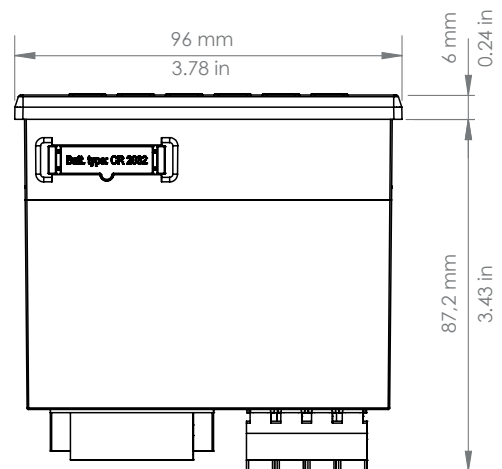
Rear view



Side view



Bottom view



Cut-out size:
 $92^{+0,8}$ mm x $92^{+0,8}$ mm
 (3.62^{+0.03} x 3.62^{+0.03} in)

TECHNICAL DATA

General	
Net weight (with attached plug-in connectors)	approx. 250 g (0.55 lb)
Package weight (incl. accessories)	approx. 500 g (1.1 lb)
Battery	Type Lithium CR2032, 3 V (Zulassung nach UL 1642)
Data memory	64 MB
Backlight service life	40000 h (backlight reduces to approx. 50% over this period)
Impact resistance	IK07 according to IEC 62262

Transport and storage	
The following information applies to devices that are transported or stored in their original packaging.	
Free fall	1 m (39.37 in)
Temperature	-25 °C (-13 °F) to +70 °C (158 °F)
Relative air humidity (non-condensing)	0 to 90% RH

Environmental conditions during operation	
Install the device in a weather-protected and stationary location. Protection class II according to IEC 60536 (VDE 0106, Part 1).	
Rated temperature range	-10 °C (14 °F) .. +55 °C (131 °F)
Relative air humidity (non-condensing)	0 to 75 % RH
Operating elevation	0 .. 2000 m (1.24 mi) above sea level
Pollution degree	2
Mounting orientation	As desired
Ventilation	No forced ventilation required.
Protection against foreign matter and water - Front - Rear - Front with seal	IP40 according to EN60529 IP20 according to EN60529 IP54 according to EN60529
Electromagnetic environmental conditions	Class E2 (MID 2014/32/EU)
Mechanical environmental conditions	Class M1 (MID 2014/32/EU)

Supply voltage		
Option 230 V	Nominal range	AC 90 V - 277 V (50/60 Hz) or DC 90 V - 250 V, 300 V CATIII
	Power consumption	max. 4,5 VA / 2 W
Option 24 V	Nominal range	AC 24 V - 90 V (50/60Hz) or DC 24 V - 90 V, 150 V CATIII
	Power consumption	max. 4,5 VA / 2 W
Operating range	+-10% of nominal range	
Internal fuse, not exchangeable	Type T1A / 250 V DC / 277 V AC according to IEC 60127	
Recommended overcurrent protection device for the line protection (UL approval)	Option 230 V: 6 - 16 A (Char. B) Option 24 V: 1 - 6 A (Char. B)	

Recommendation for the maximum number of devices on a line circuit breaker:

Option 230 V: Line circuit breaker B6A: max. 4 devices / line circuit breaker B16A: max. 11 devices

Option 24 V: Line circuit breaker B6A: max. 3 devices / line circuit breaker B16A: max. 9 devices

Voltage measurement	
3-phase 4-conductor systems with rated voltages up to	417 V / 720 V (+-10%) according to IEC 347 V / 600 V (+-10%) according to UL
3-phase 3-conductor systems with rated voltages up to	600 V (+10%)
Single-phase 2-conductor system with rated voltages up to	480 V (+-10%)
Overvoltage category	600 V CAT III
Measurement voltage surge	6 kV
Fuse for the voltage measurement	1 - 10 A (with IEC/UL approval)
Measuring range L-N	0 ¹⁾ .. 600 V _{rms} (max. overvoltage 800 V _{rms})
Measuring range L-L	0 ¹⁾ .. 1040 V _{rms} (max. overvoltage 1350 V _{rms})
Resolution	0,01 V
Crest factor	2,45 (related to the measurement range)
Impedanz	3 M Ω /phase
Leistungsaufnahme	Approx. 0,1 VA
Abtastfrequenz	13,67 kHz
Frequenz der Grundschiwingung - Auflösung	45 Hz .. 65 Hz 0,01 Hz
Fourier-Analyse	1. - 65. harmonics

1) The device only determines the measured values if voltage L1-N is greater than 20 V_{eff} (4-conductor measurement) or voltage L1-L2 is greater than 34 V_{eff} (3-conductor measurement) on voltage measurement input V1.

Current measurement	
Rated current	5 A
Metering range	0,005 .. 6 A _{rms}
Crest factor (based on the rated current)	2 (relative to 6 A _{rms})
Overvoltage category	300 V CAT II
Rated surge voltage	2 kV
Power consumption	ca. 0,2 VA (R _i =5 m Ω)
Overload for 1 sec.	60 A (sinusoidal)
Resolution	0,1 mA (display 0.01 A)
Sampling frequency	13,67 kHz
Fourier analysis	1. - 65. harmonic

Serial interface	
RS485 - Modbus RTU/Slave	9,6 kbps, 19,2 kbps, 38,4 kbps, 57,6 kbps, 115,2 kbps

Digital outputs	
3 digital outputs, solid state relays, not short-circuit proof.	
Switching voltage	max. 33 V AC, 40 V DC
Switching current	max. 50 mA _{eff} AC/DC
Response time	approx. 200 ms
Pulse output	max. 50 Hz (energy pulses)

Digital inputs	
3 digital inputs, solid state relays, not short-circuit proof.	
Maximum counter frequency	20 Hz
Input signal applied	18 V .. 28 V DC (typically 4 mA)
Input signal not applied	0 .. 5 V DC, current less than 0.5 mA

Cable length (digital inputs/outputs)	
Up to 30 m (32.81 yd)	Unshielded
Greater than 30 m (32.81 yd)	Shielded

Analog outputs	
External power supply	max. 33 V
Current	0 .. 20 mA
Update time	1 s
Load	max. 300 Ω
Resolution	10 bit

Connecting capacity of the terminals (supply voltage)	
Connectible conductors. Only connect one conductor per terminal point!	
Single core, multi-core, fine-stranded	0.2 - 4.0 mm ² , AWG 28-12
Wire ferrules (non-insulated)	0.2 - 2.5 mm ² , AWG 26-14
Wire ferrules (insulated)	0.2 - 2.5 mm ² , AWG 26-14
Tightening torque	0.4 - 0.5 Nm (3.54 - 4.43 lbf in)
Strip length	7 mm (0.2756 in)

Connecting capacity of the terminals (voltage measurement)	
Connectible conductors. Only connect one conductor per terminal point!	
Single core, multi-core, fine-stranded	0.2 - 4.0 mm ² , AWG 28-12
Wire ferrules (non-insulated)	0.2 - 2.5 mm ² , AWG 26-14
Wire ferrules (insulated)	0.2 - 2.5 mm ² , AWG 26-14
Tightening torque	0.4 - 0.5 Nm (3.54 - 4.43 lbf in)
Strip length	7 mm (0.2756 in)

Connecting capacity of the terminals (current measurement)	
Connectible conductors. Only connect one conductor per terminal point!	
Single core, multi-core, fine-stranded	0.2 - 4 mm ² , AWG 28-12
Wire ferrules (non-insulated)	0.2 - 4 mm ² , AWG 26-12
Wire ferrules (insulated)	0.2 - 2.5 mm ² , AWG 26-14
Tightening torque	0.4 - 0.5 Nm (3.54 - 4.43 lbf in)
Strip length	7 mm (0.2756 in)

Terminal connection capacity (serial interface)	
Connectible conductors. Only connect one conductor per terminal point!	
Single core, multi-core, fine-stranded	0.2 - 1.5 mm ² , AWG 28-16
Wire ferrules (non-insulated)	0.2 - 1.5 mm ² , AWG 26-16
Wire ferrules (insulated)	0.2 - 1.5 mm ² , AWG 26-16
Tightening torque	0.2 - 0.25 Nm (1.77 - 2.21 lbf in)
Strip length	7 mm (0.2756 in)

Connecting capacity of the terminals (digital inputs/outputs, analog output)	
Connectible conductors. Only connect one conductor per terminal point!	
Single core, multi-core, fine-stranded	0.2 - 1.5 mm ² , AWG 28-16
Wire ferrules (non-insulated)	0.2 - 1.5 mm ² , AWG 26-16
Wire ferrules (insulated)	0.2 - 1.5 mm ² , AWG 26-16
Tightening torque	0.2 - 0.25 Nm (1.77 - 2.21 lbf in)
Strip length	7 mm (0.2756 in)

FUNCTION PERFORMANCE CHARACTERISTICS

Function	Symbol	Accuracy class	Measurement range	Display range
Total active power	P	0.5 ⁵⁾ (IEC61557-12)	0 W .. 12.6 kW	0 W .. 999 GW *
Total reactive power	QA, Qv	1 (IEC61557-12)	0 var .. 16.6 kvar	0 var .. 999 Gvar *
Total apparent power	SA, Sv	0.5 ⁵⁾ (IEC61557-12)	0 VA .. 12.6 kVA	0 VA .. 999 GVA *
Total active energy	Ea	0.2 ⁵⁾ (IEC61557-12) 0.2S ⁵⁾ (IEC62053-22)	0 Wh .. 999 GWh	0 Wh .. 999 GWh *
Total reactive energy	ErA, ErV	1 (IEC61557-12)	0 varh .. 999 Gvarh	0 varh .. 999 Gvarh *
Total apparent energy	EapA, EapV	0.5 ⁵⁾ (IEC61557-12)	0 VAh .. 999 GVAh	0 VAh .. 999 GVAh *
Frequency	f	0.05 (IEC61557-12)	45 Hz .. 65 Hz	45.00 Hz .. 65.00 Hz
Phase current	I	0.2 (IEC61557-12)	0 Arms .. 7 Arms	0 A .. 999 kA
Neutral conductor current calculated	INc	1.0 (IEC61557-12)	0.03 A .. 25 A	0.03 A .. 999 kA
Voltage	U L-N	0.2 (IEC61557-12)	10 Vrms .. 600 Vrms	0 V .. 999 kV
Voltage	U L-L	0.2 (IEC61557-12)	18 Vrms .. 1040 Vrms	0 V .. 999 kV
Power factor	PFA, PFV	0.5 (IEC61557-12)	0.00 .. 1.00	0.00 .. 1.00
Short-term flicker, long-term flicker	Pst, Plt	-	-	-
Voltage dips (L-N)	Udip	-	-	-
Voltage swells (L-N)	Uswl	-	-	-
Transient overvoltages	Utr	-	-	-
Voltage interruptions	Uint	-	-	-
Voltage imbalance (L-N) ¹⁾	Unba	-	-	-
Voltage imbalance (L-N) ²⁾	Unb	-	-	-
Voltage harmonics	Uh	Cl. 1 (IEC61000-4-7)	1 .. 65	0 V .. 999 kV
THD of voltage ³⁾	THDu	1.0 (IEC61557-12)	0% .. 999%	0% .. 999%
THD of voltage ⁴⁾	THD-Ru	-	-	-
Current harmonics	Ih	Cl. 1 (IEC61000-4-7)	1 .. 65	0 A .. 999 kA
THD of current ³⁾	THDi	1.0 (IEC61557-12)	0% .. 999%	0% .. 999%
THD of current ⁴⁾	THD-Ri	-	-	-
Mains signal voltage	MSV	-	-	-

1) Referenced to the amplitude.

2) Referenced to the phase and amplitude.

3) Referenced to the fundamental oscillation.

4) Referenced to the effective value.

5) Accuracy class 0.2/0.2S with ../5A transformer.

Accuracy class 0.5/0.5S with ../1A transformer.

*When the maximum total energy values are reached, the display returns to 0 W.

 INFORMATION

Detailed information on the device functions and data can be found in the usage information that is enclosed with the device or is available for download at www.janitza.de!

Janitza electronics GmbH
Vor dem Polstück 6
D-35633 Lahnau
Tel. +49 6441 9642-0
E-mail: info@janitza.de
www.janitza.de

Janitza[®]