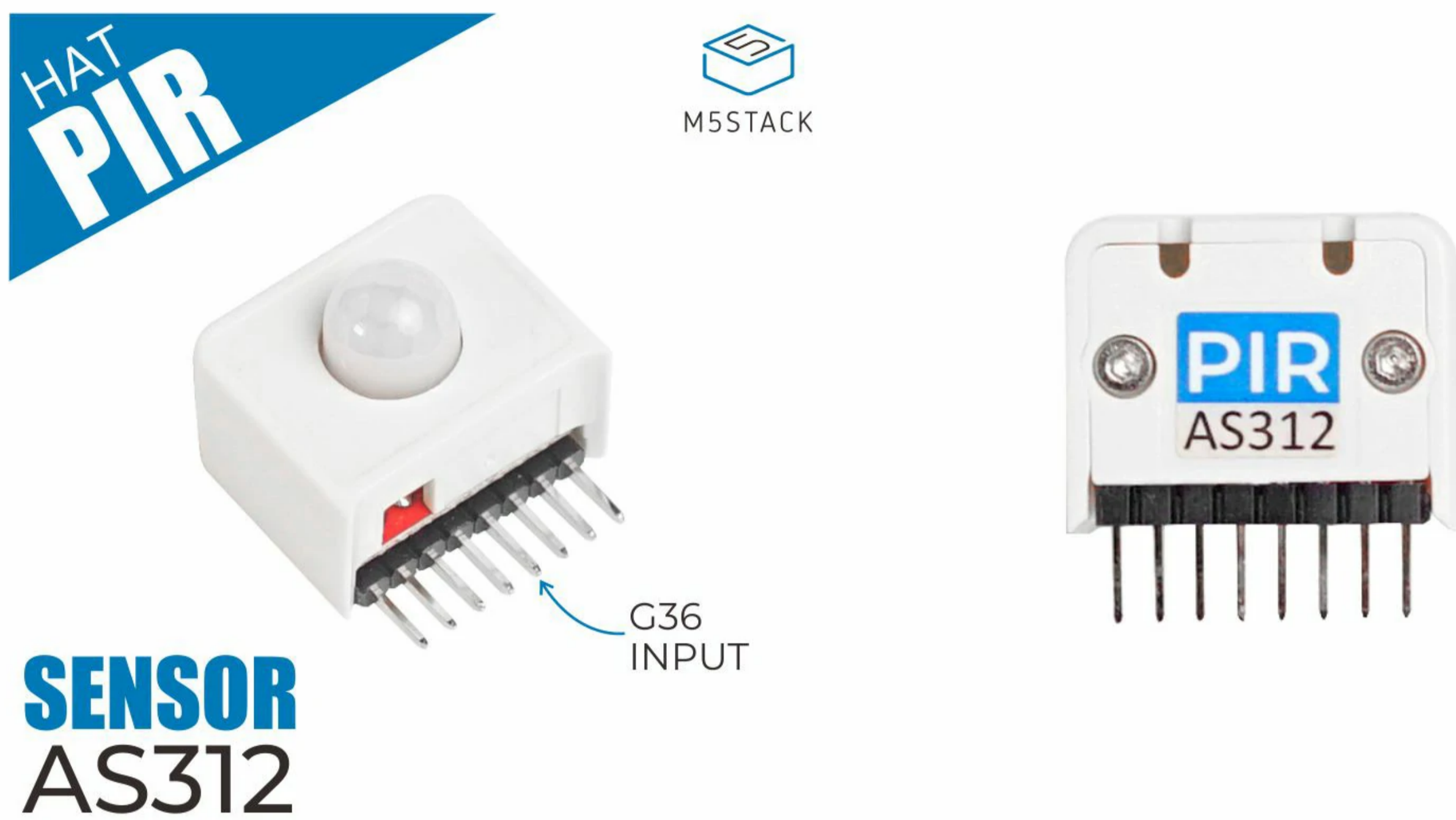


PIR HAT

SKU:U054



Description

PIR HAT is an M5StickC compatible human body induction sensor, it belongs to "Passive pyroelectric infrared detector", that detect the infrared come from the human body.

When the infrared is detected, the sensor will output HIGH and last for two seconds until the next detecting round.

Notice: There exist 2 seconds delay

Product Features

- Detecting Range: 500cm
- Delay time: 2s
- Induction Angle: < 100°
- IDDQ : < 60uA
- Op.T: -20 - 80 °C

Include

- 1x PIR Hat

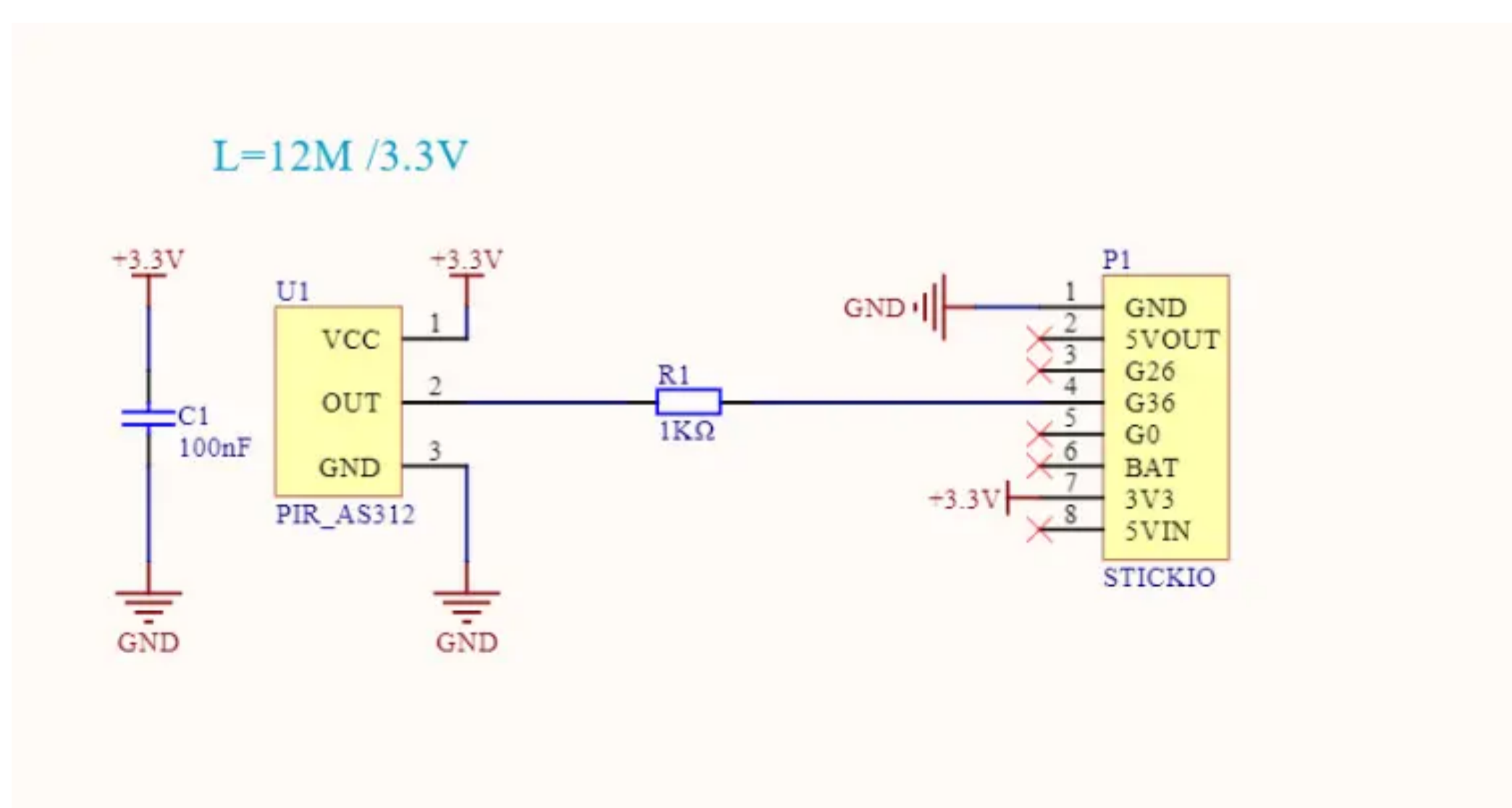
Applications

- Hunman body induction lamp
- Security product
- Auto-induction

Specification

Resources	Parameter
Net weight	5g
Gross weight	12g
Product Size	24*25*20mm
Package Size	40*42*30mm

Schematic



Pin Map

M5StickC	GPIO36	5V	GND
HAT PIR	OUT	5V	GND

EasyLoader

EasyLoader is a concise and fast program writer, which has a built-in case program related to the product. It can be burned to the main control by simple steps to perform a series of function verification.

[Download Windows Version Easyloader](#)
[Easyloader](#)

[Download MacOS Version](#)

Description:

The real-time display shows the PIR HAT monitoring level.

Example

Arduino

Please click [here](#) to get complete code

UIFlow

Open <http://flow.m5stack.com> and click Demo to load

