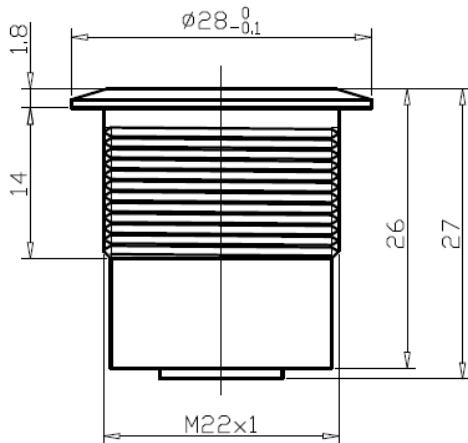


Data Sheet

Panel Jacket

Version 05/21



Specification

Specification	USB-C™ 3.1 Female – USB-C™ 3.1 Female
Mounting diameter	22 mm
Body material	Aluminium (Natural / Black)
Operating and storage temperature	-20 to +55 °C
Operating and storage humidity	10 to 85 % RH
Panel thickness	1 ~ 10 mm