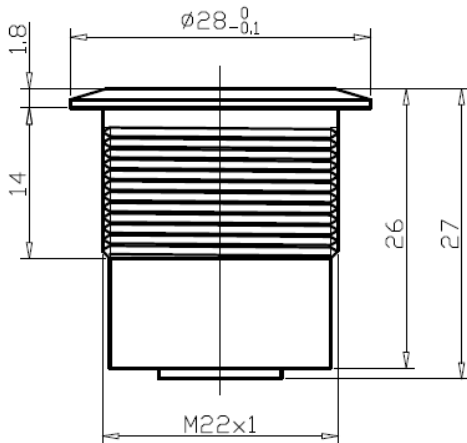


## Data Sheet

---

### Panel Jacket

Version 05/21



### Specification

Specification .....	USB-C™ 3.1 Female – USB-C™ 3.1 Female
Mounting diameter .....	22 mm
Body material .....	Aluminium (Natural / Black)
Operating and storage temperature .....	-20 to +55 °C
Operating and storage humidity .....	10 to 85 % RH
Panel thickness .....	1 ~ 10 mm