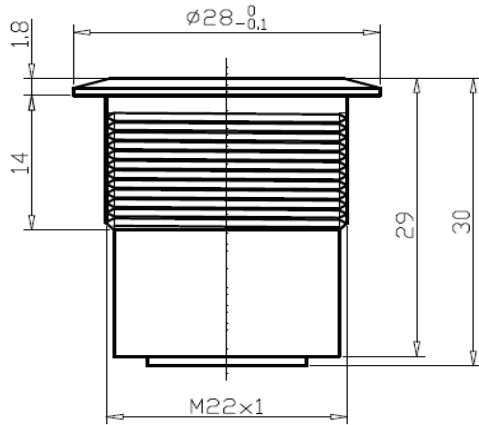


## Data Sheet

### Panel Jacket

Version 05/21



### Specification

Specification	-----USB-C™ 3.1 Female - USB-A 3.0
Female Mounting diameter	-----22 mm
Body material	-----Aluminium (Black)
Operating and storage temperature	----- -20 to +55 °C
Operating and storage humidity	-----10 to 85 % RH
Panel thickness	----- 1 ~ 10 mm