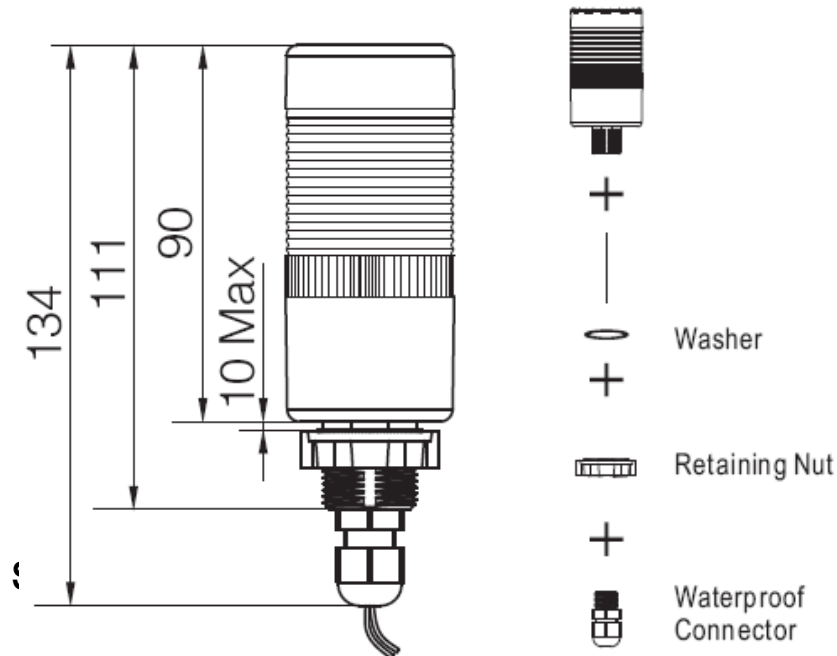


Data Sheet

Warning Light



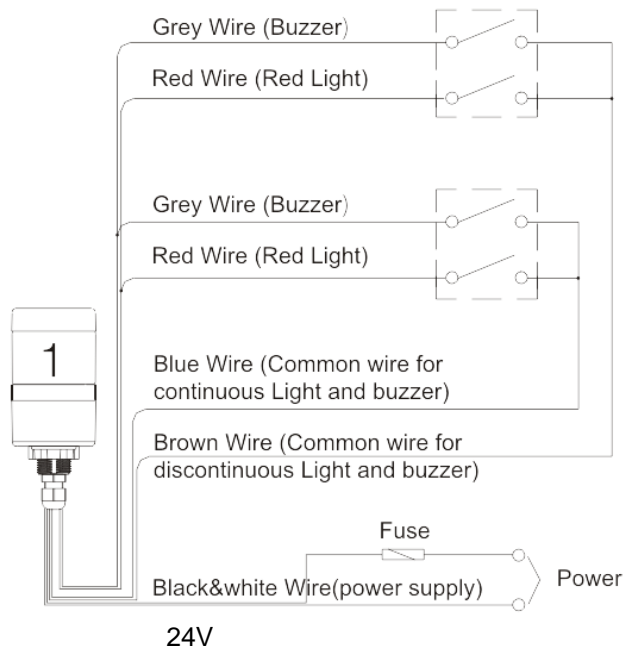
Specification

Illumination	Continuous or Flashlight
Buzzer	Continuous or Discontinuous buzzer
LED	Red 24V DC
Operating and storage temperature	-25 to +55°C
Operating and storage humidity	≤98%
Sound	80-90 dB(1M)
IP	IP40
Current consumption	0.05A

Note: Fuse is not included in delivery and must be purchased separately.

Data Sheet

Wiring Diagram



Note: LED wire and buzzer wire can only be connected to one of the common wires.