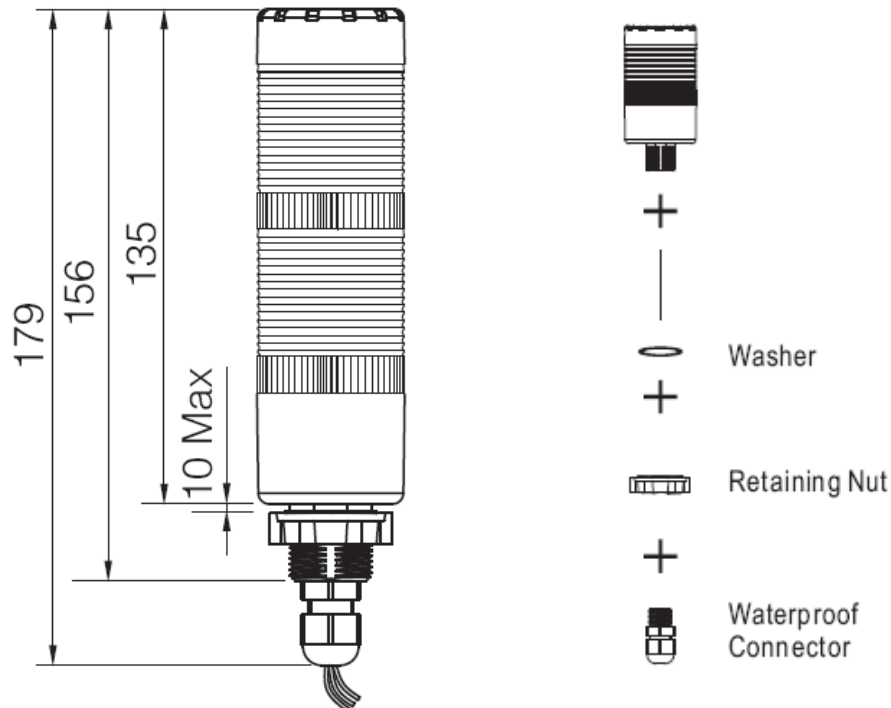


## Data Sheet

### Warning light



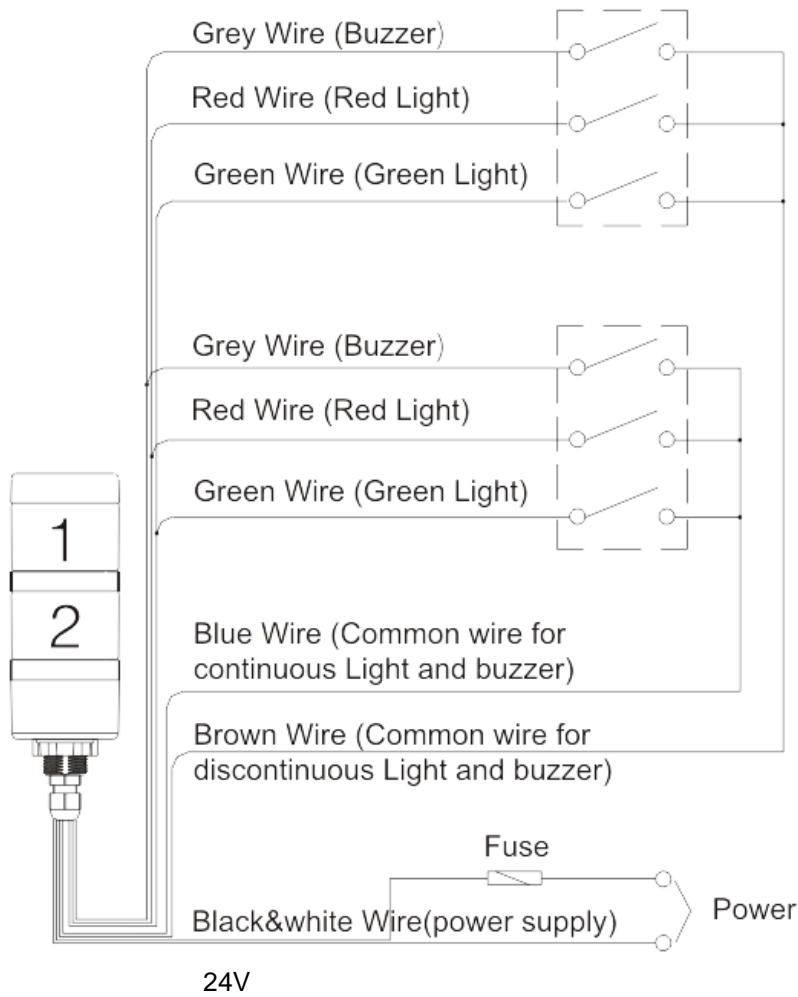
### Specification

Illumination .....	Continuous or Flashlight
Buzzer .....	Continuous or Discontinuous buzzer
LED .....	Red Green 24V DC (6pcs 1206 LEDs per layer)
Operating and storage temperature .....	-25 to +55°C
Operating and storage humidity .....	≤98%
Sound .....	80-90 dB(1M)
IP .....	IP40
Current consumption .....	0.05A
Screw size fix the base.....	M5

Note: Fuse is not included in delivery and must be purchased separately.

## Data Sheet

### Wiring diagram



Note: LED wire and buzzer wire can only be connected to one of the common wires.