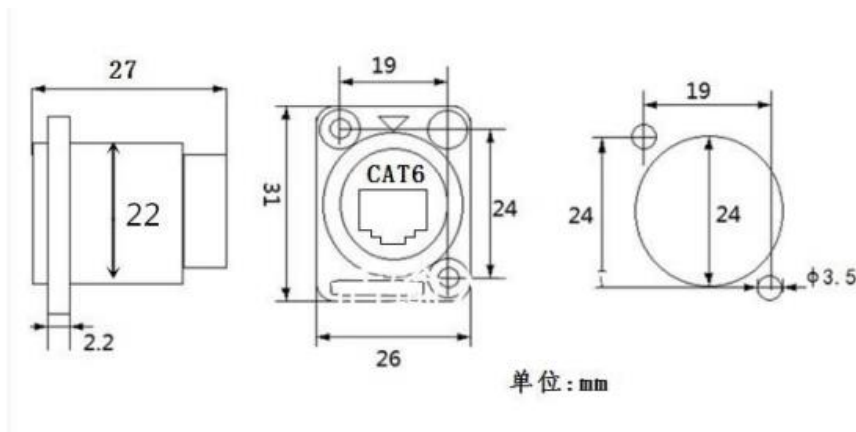


Data Sheet

RJ45 Data Connector Socket, straight 8P8C, 1 pc(s)



Technical data

Connector Standard: RJ45

Connector Type: Socket, Straight

Color: Black

Numbers of Pins: 8P8C

Material: Zinc alloy

Operating Temperature: -40°C-80°C