

# Data Sheet

## Touch Switch



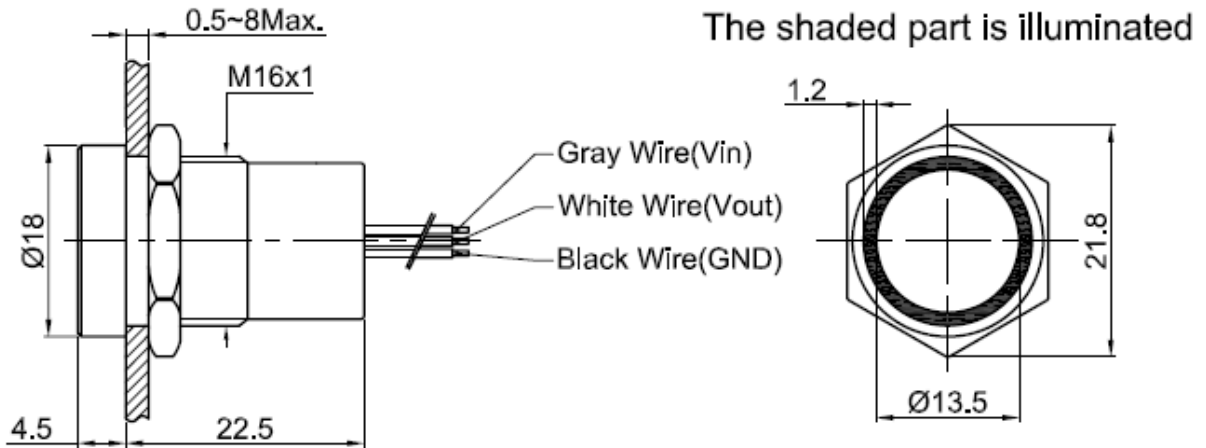
### Specification

Switch rating .....	500 mA / 24 VDC
Insulation resistance .....	600 VDC 10 MΩ
Contact resistance .....	20 mΩ
Contact structure .....	1NO
Output Type .....	PNP
Terminal .....	Wire
Body material .....	Stainless steel
Lighting type .....	LED 12 V
LED color.....	Red (Standby), Green (Active)
Operating force .....	0 N
Operating and storage temperature .....	-25 to +55 °C
Operating and storage humidity .....	45 to 85 % RH
Electric life .....	50 million cycles
IP Degree .....	IP65

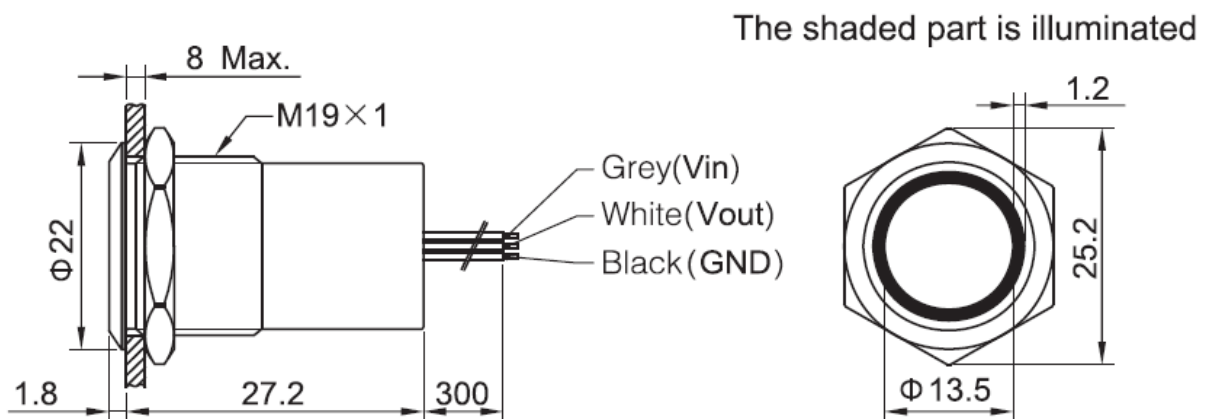
Item No.	Mounting Hole size	Product size (Ø)	Operating type	LED	LED ring
2388695	16 mm	18 mm	Momentary	RG (Red/Green)	1.2 mm
2388696	16 mm	18 mm	Latching	RG (Red/Green)	1.2 mm
2388697	19 mm	22 mm	Momentary	RG (Red/Green)	1.2 mm
2388698	19 mm	22 mm	Latching	RG (Red/Green)	1.2 mm
2388699	22 mm	25 mm	Momentary	RG (Red/Green)	1.2 mm
2388700	22 mm	25 mm	Latching	RG (Red/Green)	1.2 mm
2388701	22 mm	25 mm	Momentary	RG (Red/Green)	2.4 mm
2388702	22 mm	25 mm	Latching	RG (Red/Green)	2.4 mm
2388703	25 mm	28 mm	Momentary	RG (Red/Green)	2.4 mm
2388704	25 mm	28 mm	Latching	RG (Red/Green)	2.4 mm

## Data Sheet

Drawing for item no. 2388695 / 2388696

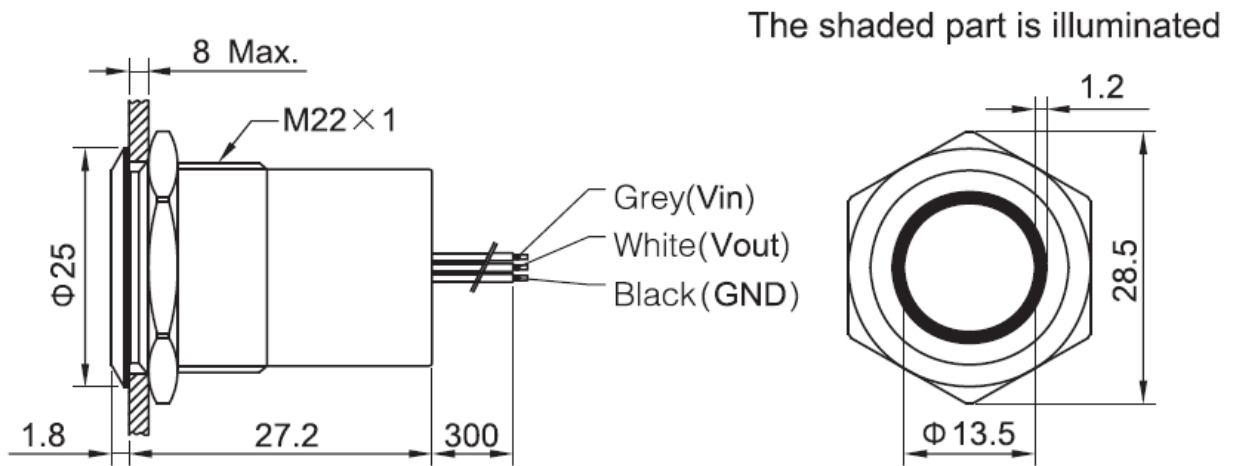


Drawing for item no. 2388697 / 2388698

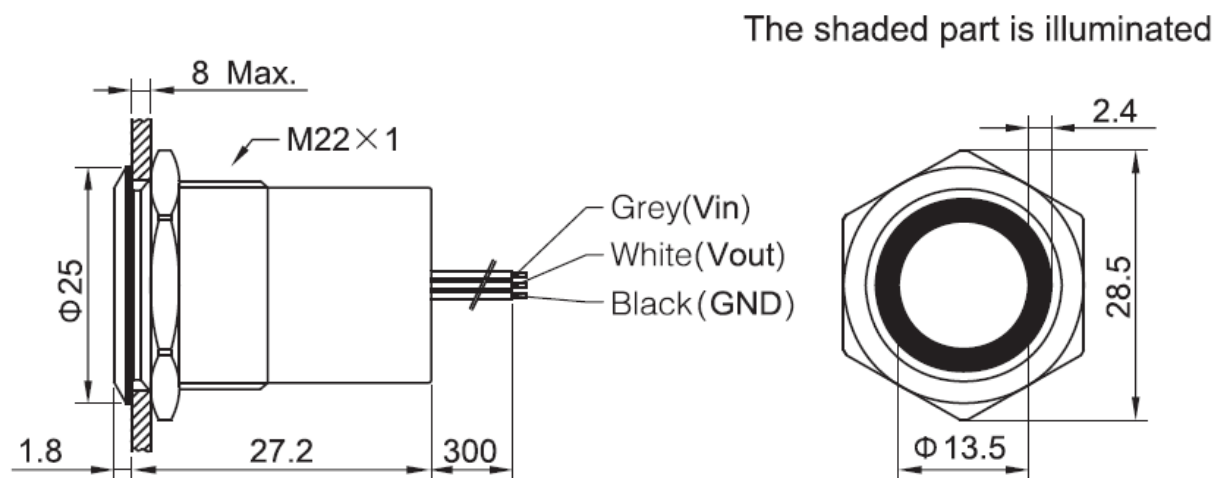


## Data Sheet

Drawing for item no. 2388699 / 2388700



Drawing for item no. 23886701 / 2388702



## Data Sheet

---

Drawing for item no. 23886703 / 2388704

