

Data Sheet

Touch Switch



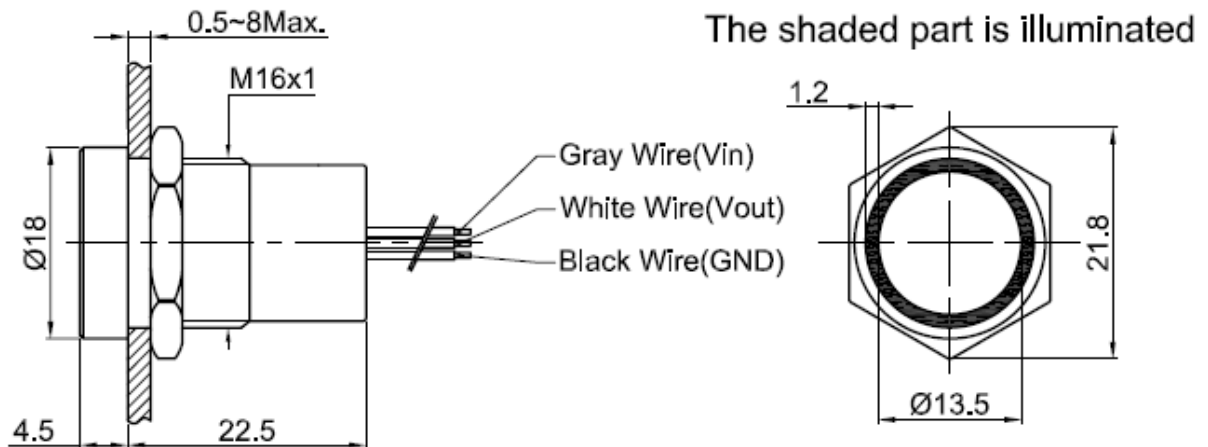
Specification

Switch rating	500 mA / 24 VDC
Insulation resistance	600 VDC 10 MΩ
Contact resistance	20 mΩ
Contact structure	1NO
Output Type	PNP
Terminal	Wire
Body material	Stainless steel
Lighting type	LED 12 V
LED color.....	Red (Standby), Green (Active)
LED current	about 10mA
Operating force	0 N
Operating and storage temperature	-25 to +55°C
Operating and storage humidity	45 to 85 % RH
Electric life	50 million cycles
IP Degree	IP65

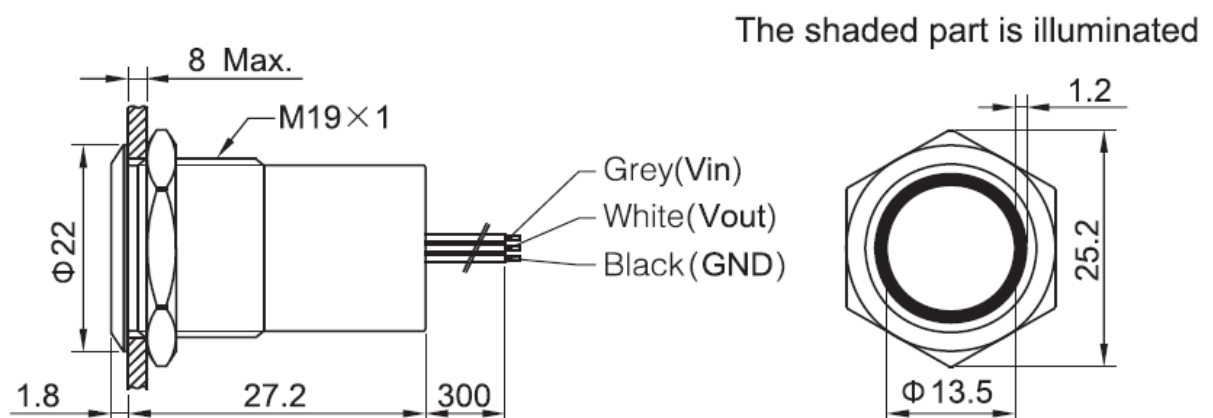
Item No.	Mounting Hole size	Product size (Ø)	Operating type	LED	LED ring
2388695	16 mm	18 mm	Momentary	RG (Red/Green)	1.2 mm
2388696	16 mm	18 mm	Latching	RG (Red/Green)	1.2 mm
2388697	19 mm	22 mm	Momentary	RG (Red/Green)	1.2 mm
2388698	19 mm	22 mm	Latching	RG (Red/Green)	1.2 mm
2388699	22 mm	25 mm	Momentary	RG (Red/Green)	1.2 mm
2388700	22 mm	25 mm	Latching	RG (Red/Green)	1.2 mm
2388701	22 mm	25 mm	Momentary	RG (Red/Green)	2.4 mm
2388702	22 mm	25 mm	Latching	RG (Red/Green)	2.4 mm
2388703	25 mm	28 mm	Momentary	RG (Red/Green)	2.4 mm
2388704	25 mm	28 mm	Latching	RG (Red/Green)	2.4 mm

Data Sheet

Drawing for item no. 2388695 / 2388696

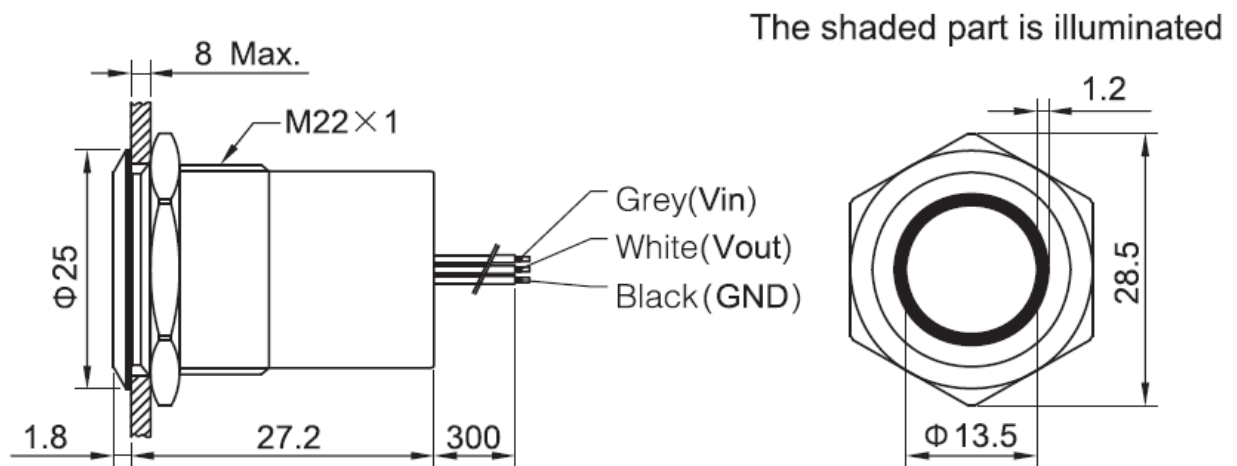


Drawing for item no. 2388697 / 2388698

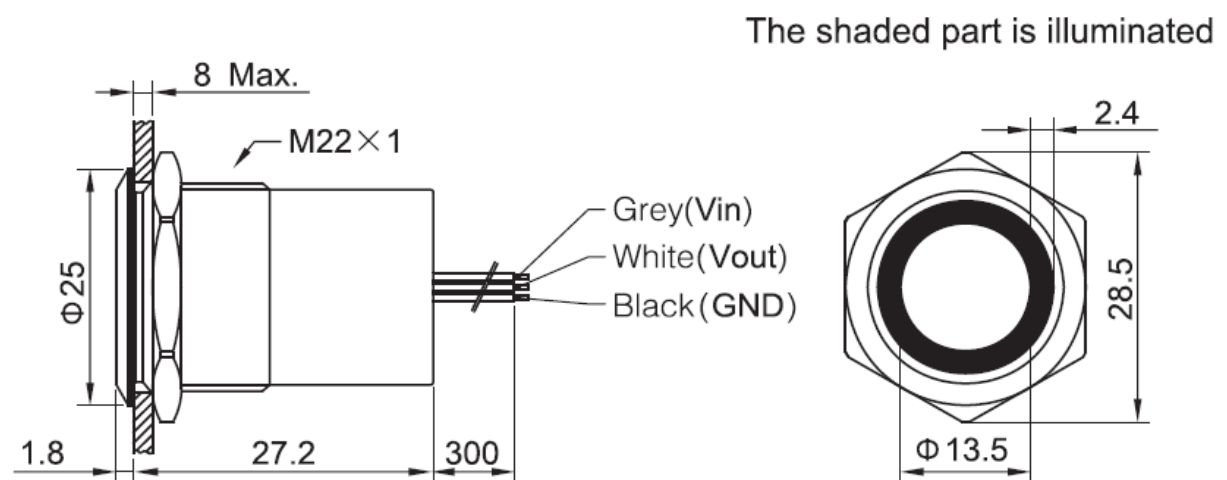


Data Sheet

Drawing for item no. 2388699 / 2388700

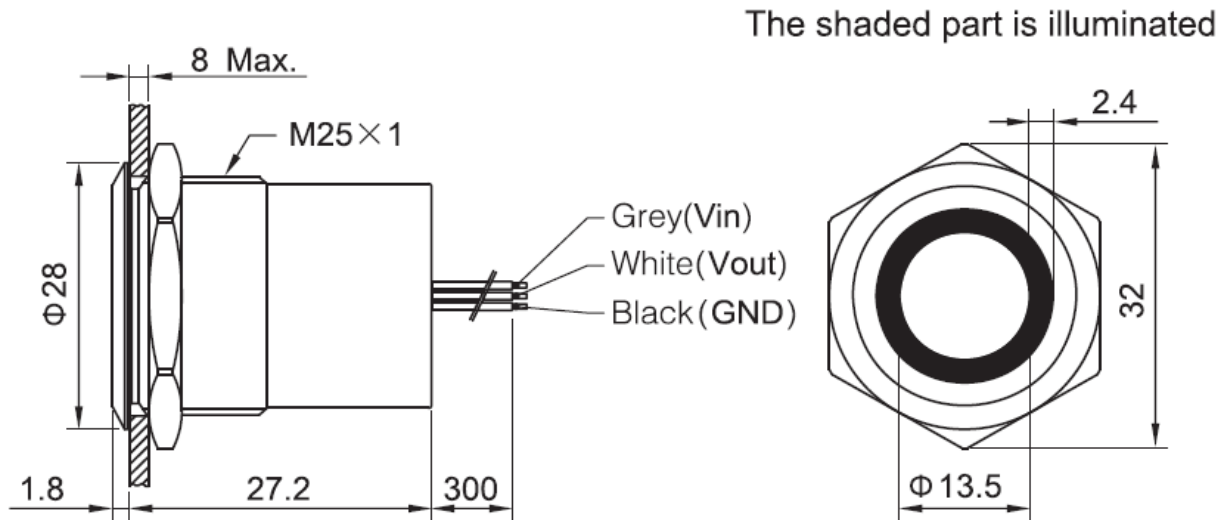


Drawing for item no. 23886701 / 2388702

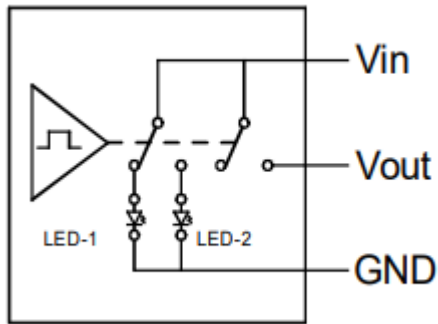


Data Sheet

Drawing for item no. 23886703 / 2388704



Wiring Diagram for 2388695 / 2388697 / 2388699 / 2388701 / 2388703



Wiring Diagram for 2388696 / 2388698 / 2388700 / 2388702 / 2388704

