

Line-M-4IO-R

Module with 4 relay inputs and outputs



Description

Module with 4 floating relay inputs and outputs.

The expansion modules of the Line range provide a simple way to extend the features of any version of line-EDS-Cloud, line-EDS-PS, or of the line-CVM-D32 network analyser. They allow adding digital outputs and inputs, analogue inputs and outputs or any combination thereof, to the devices.

The modules are connected laterally and are detected automatically when the lateral connection is made, which greatly simplifies the installation and configuration of the modules.

Applications

- Expansion of inputs/outputs from line-CVM-D32 or line-EDS network analysers.
- Management of up to 4 tariffs with activation of the different inputs to the module.
- Alarms can be programmed independently based on high/low values, hysteresis, timer on/off delays, normally open or closed rest state and interlocks.
- Track the status of components in the installation by using the status of the inputs to the module.

Technical features

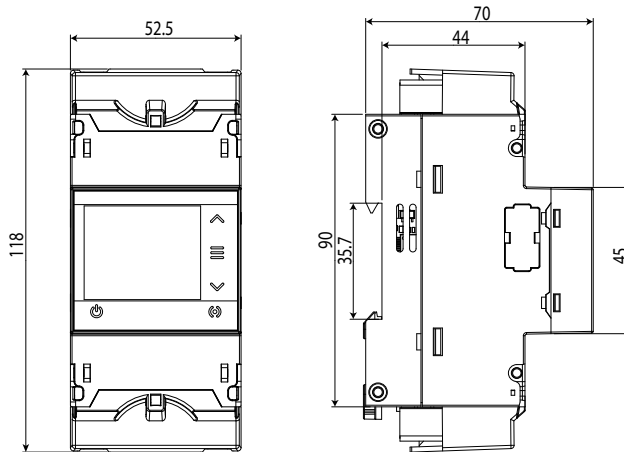
Electrical characteristics	Power	3 W
	Installation category	CAT III 300 V
Digital inputs	Quantity	4
	Type	Optocoupler
	Impedance input	3 kΩ
Digital relay outputs	Insulation voltage	3750 V~
	Quantity	4
	Type	Electronic class A/ High frequency current filtering
	Maximum voltage	250 V~
	Maximum current	6 A~
	Maximum switching capacity	1500 VA
	Electrical life at maximum load	5 x 10 ⁶ cycles
User interface	LED	9 LEDs
	Environmental characteristics	Operating temperature
Storage temperature		-20 ... +70 °C
Relative humidity (without condensation)		5 ... 95%
Maximum altitude		2000 m
Mechanical characteristics	Protection degree	IP30 / Front: IP40
	Dimensions	52,5 x 118 x 74 mm
	Weight	175 g
	Envelope	Self-extinguishing V0 plastic
	Attachment	Carril DIN (IEC 60715)
Standards	UNE-EN 61010-1, UNE-EN 61000-6-2, UNE-EN 61000-6-4, UL 61010-1	

Line-M-4IO-R Module with 4 relay inputs and outputs

References

Type	Code	Relay output	Digital inputs	Protocol
Line-M-4IO-R	[*] M58E02.	4	4	Modbus/RTU

Dimensions



Connections

