

# Line-M-4IO-T

## Module with 4 transistor inputs and outputs



### Description

Module with 4 floating transistor inputs and outputs.

The expansion modules of the Line range provide a simple way to extend the features of any version of line-EDS-Cloud, line-EDS-PS, or of the line-CVM-D32 network analyser.

They allow adding digital outputs and inputs, analogue inputs and outputs or any combination thereof, to the devices.

The modules are connected laterally and are detected automatically when the lateral connection is made, which greatly simplifies the installation and configuration of the modules.

### Applications

- Expansion of inputs/outputs from line-CVM-D32 or line-EDS network analysers.
- Management of up to 4 tariffs with activation of the different inputs to the module.
- Alarms can be programmed independently based on high/low values, hysteresis, timer on/off delays, normally open or closed rest state and interlocks.
- Generation of impulses through outputs to a transistor, fully and independently configurable based on any incremental parameter of active or reactive energy, either per total counter or per tariff.
- Track the status of components in the installation by using the status of the inputs to the module.

### Technical features

|                               |  |                               |
|-------------------------------|--|-------------------------------|
| Electrical characteristics    | Power  | 3 W                           |
|                               | Installation category  | CAT III 300 V                 |
| Digital inputs                | Quantity   | 2                             |
|                               | Type   | Optocoupler                   |
|                               | Input Impedance  | 3 kΩ                          |
|                               | Insulation voltage   | 3750 V~                       |
| Digital transistor outputs    | Quantity   | 4                             |
|                               | Type   | Optocoupler (Open-colector)   |
|                               | Maximum voltage  | 48 Vdc                        |
|                               | Maximum current  | 120 mA                        |
|                               | Maximum frequency  | 1500 VA                       |
|                               | Pulse width  | 1 ms                          |
| User interface                | LED  | 9 LEDs                        |
| Environmental characteristics | Operating temperature  | -10 ... +50 °C                |
|                               | Storage temperature  | -20 ... +70 °C                |
|                               | Relative humidity (without condensation)                       | 5 ... 95%                     |
|                               | Maximum altitude   | 2000 m                        |
|                               | Protection degree  | IP30 / Front: IP40            |
| Mechanical characteristics    | Dimensions   | 52,5 x 118 x 74 mm            |
|                               | Weight   | 215 g                         |
|                               | Envelope   | Self-extinguishing V0 plastic |
|                               | Attachment   | Carril DIN (IEC 60715)        |
| Standards                     | UNE-EN 61010-1, UNE-EN 61000-6-2, UNE-EN 61000-6-4, UL 61010-1 |                               |

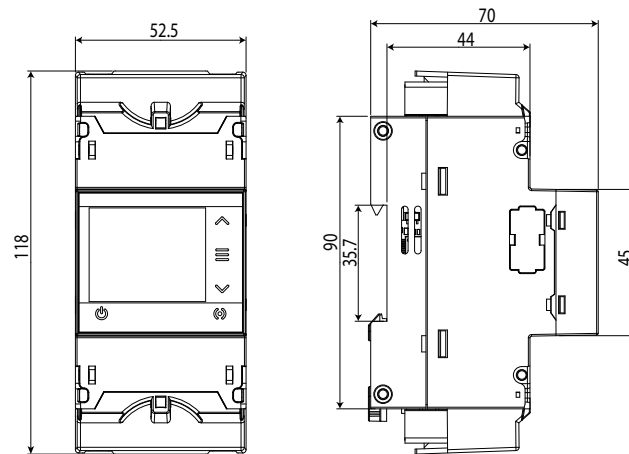
# Line-M-4IO-T

Module with 4 transistor inputs and outputs

## References

| Type         | Code        | Digital output | Digital input | Protocol   |
|--------------|-------------|----------------|---------------|------------|
| Line-M-4IO-T | [*] M58E01. | 4              | 4             | Modbus/RTU |

## Dimensions



## Connections

