



[Alcoswitch](#) | [Alcoswitch PKX](#)

TE Internal #: 1-1437625-2

Alcoswitch PKX, Switch Knobs, Knob, Phenolic, Ribbed Knob Design, .25in [6.35mm] Shaft Size, 1.37in [34.8mm] Switch Knob Diameter, Black, White Square

[View on TE.com >](#)

Relays, Contactors & Switches > Switches > Switch Knobs



Switch Knob Product Type: **Knob**

Switch Knob Material: **Phenolic**

Knob Design: **Ribbed**

Shaft Size: **6.35 mm [ .25 in ]**

Switch Knob Diameter: **34.8 mm [ 1.37 in ]**

## Features

### Product Type Features

Switch Knob Product Type	Knob
--------------------------	------

### Configuration Features

Skirt	Without
Spinner	Without
Spin Plate	Without
Knob Design	Ribbed

### Body Features

Switch Knob Material	Phenolic
Switch Knob Color	Black

### Dimensions

Shaft Size	6.35 mm[.25 in]
Switch Knob Diameter	34.8 mm[1.37 in]

### Identification Marking

Indicator Style	White Square
Indicator Location	Top

## Product Compliance

[For compliance documentation, visit the product page on TE.com>](#)



EU RoHS Directive 2011/65/EU	Compliant
EU ELV Directive 2000/53/EC	Compliant
China RoHS 2 Directive MIIT Order No 32, 2016	No Restricted Materials Above Threshold
EU REACH Regulation (EC) No. 1907/2006	Current ECHA Candidate List: JAN 2021 (211) Candidate List Declared Against: JAN 2018 (181) SVHC > Threshold: Not Yet Reviewed
Halogen Content	Not Yet Reviewed for halogen content
Solder Process Capability	Not applicable for solder process capability

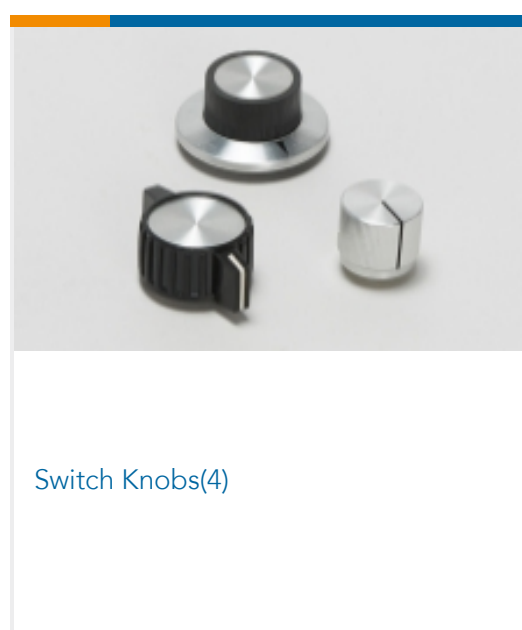
Product Compliance Disclaimer

This information is provided based on reasonable inquiry of our suppliers and represents our current actual knowledge based on the information they provided. This information is subject to change. The part numbers that TE has identified as EU RoHS compliant have a maximum concentration of 0.1% by weight in homogenous materials for lead, hexavalent chromium, mercury, PBB, PBDE, DBP, BBP, DEHP, DIBP, and 0.01% for cadmium, or qualify for an exemption to these limits as defined in the Annexes of Directive 2011/65/EU (RoHS2). Finished electrical and electronic equipment products will be CE marked as required by Directive 2011/65/EU. Components may not be CE marked. Additionally, the part numbers that TE has identified as EU ELV compliant have a maximum concentration of 0.1% by weight in homogenous materials for lead, hexavalent chromium, and mercury, and 0.01% for cadmium, or qualify for an exemption to these limits as defined in the Annexes of Directive 2000/53/EC (ELV). Regarding the REACH Regulation, the information TE provides on SVHC in articles for this part number is based on the latest European Chemicals Agency (ECHA) 'Guidance on requirements for substances in articles' posted at this URL: <https://echa.europa.eu/guidance-documents/guidance-on-reach>

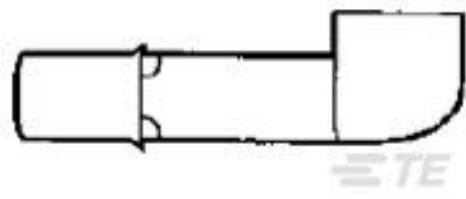
## Compatible Parts



## Also in the Series | Alcoswitch PKX



## Customers Also Bought



TE Part #31763  
KNIFE DISCONNECT,STD B 16-14



TE Part #2213765-7  
AV19 SPM 5A SPOT LED RED 24V



TE Part #1-6609106-4  
CORCOM P SERIES MULTI-FUNCTION INLET FIL



TE Part #31762  
KNIFE DISCONNECT,STD B 22-16



TE Part #1-2314786-1  
LUMAWISE N ENHANCED BASE, FM ON, ZC YES



TE Part #2-2301994-3  
RJ45 JACK INT.MAG. 1GB LED 1X1



TE Part #2-1624116-6  
BMB-A 0603 40R N8



TE Part #1-1437625-3  
PKX130B1/4=KNOB BLACK MATTI



TE Part #1-1437625-5  
PKX50B1/8=KNOB BLACK MATT



TE Part #T1280242132-000  
H24B-TGBH-M32

## Documents

### Product Drawings

[PKX110B1/4=KNOB BLACK MATTI](#)

English

### Datasheets & Catalog Pages

[SWITCHES\\_CORE\\_PROGRAM\\_CATALOG](#)

English