



[Citec | Citec 3204](#)

TE Internal #: 1-1623909-3

Citec 3204, Trimmer Potentiometers, Surface Mount Termination

Method to Printed Circuit Board, 5 x 4.5 x 2.3 mm, 25 Passive

Component Tolerance

[View on TE.com >](#)

Passive Components > Resistors > Trimmer Potentiometers



Termination Method to Printed Circuit Board: **Surface Mount**

Passive Component Dimensions: **5 x 4.5 x 2.3 mm**

Passive Component Tolerance: **25 %**

Sealing Requirement: **Sealed**

Resistance Value: **500K Ω**

Features

Product Type Features

Sealing Requirement	Sealed
Rotary Turn Type	Continuous
Element Type	Cermet

Configuration Features

Number of Turns	25
Adjustment Location	Top
Adjustment Method	Screwdriver Slot

Electrical Characteristics

Passive Component Tolerance	25 %
Resistance Value	500K Ω
Power Rating	.1 W
Resistance Class	1k Ω – 1M Ω

Body Features

Product Orientation	Horizontal
---------------------	------------

Termination Features

Termination Method to Printed Circuit Board	Surface Mount
---	---------------

Dimensions

Passive Component Dimensions	5 x 4.5 x 2.3 mm
------------------------------	------------------

Usage Conditions

Temperature Coefficient	±250 ppm/°C
-------------------------	-------------

Product Compliance

[For compliance documentation, visit the product page on TE.com>](#)

EU RoHS Directive 2011/65/EU	Compliant
EU ELV Directive 2000/53/EC	Compliant with Exemptions
China RoHS 2 Directive MIIT Order No 32, 2016	No Restricted Materials Above Threshold
EU REACH Regulation (EC) No. 1907/2006	Current ECHA Candidate List: JAN 2021 (211) Candidate List Declared Against: JUN 2020 (209) SVHC > Threshold: Not Yet Reviewed
Halogen Content	Low Halogen - Br, Cl, F, I < 900 ppm per homogenous material. Also BFR/CFR/PVC Free
Solder Process Capability	Reflow solder capable to 245°C

Product Compliance Disclaimer

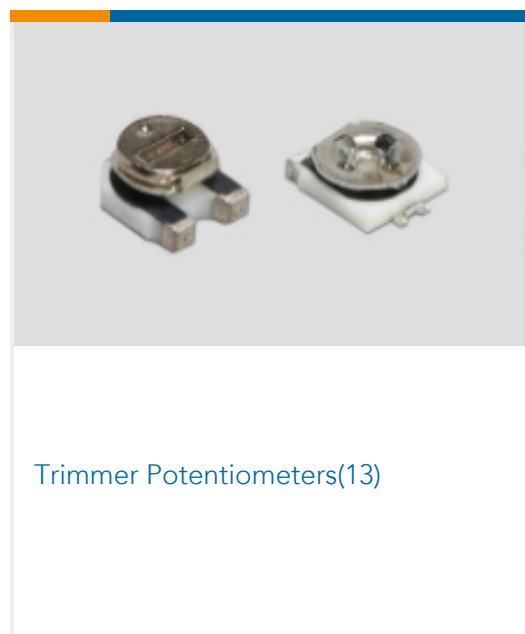
This information is provided based on reasonable inquiry of our suppliers and represents our current actual knowledge based on the information they provided. This information is subject to change. The part numbers that TE has identified as EU RoHS compliant have a maximum concentration of 0.1% by weight in homogenous materials for lead, hexavalent chromium, mercury, PBB, PBDE, DBP, BBP, DEHP, DIBP, and 0.01% for cadmium, or qualify for an exemption to these limits as defined in the Annexes of Directive 2011/65/EU (RoHS2). Finished electrical and electronic equipment products will be CE marked as required by Directive 2011/65/EU. Components may not be CE marked. Additionally, the part numbers that TE has identified as EU ELV compliant have a maximum concentration of 0.1% by weight in homogenous materials for lead, hexavalent chromium, and mercury, and 0.01% for cadmium, or qualify for an exemption to these limits as defined in the Annexes of Directive 2000/53/EC (ELV). Regarding the REACH Regulation, the information TE provides on SVHC in articles for this part number is based on the latest European Chemicals Agency (ECHA) 'Guidance on requirements for substances in articles' posted at this URL: <https://echa.europa.eu/guidance-documents/guidance-on-reach>

Compatible Parts

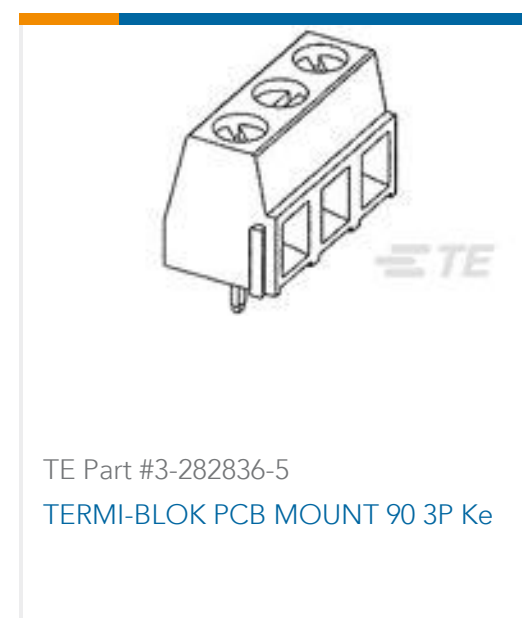
 <p>TE Part # 1623909-6 3204 2K</p>	 <p>TE Part # 1623909-1 3204 1K</p>	 <p>TE Part # 1623909-3 3204 100K</p>	 <p>TE Part # 1623909-4 3204 1M</p>
--	--	--	--



Also in the Series | Citec 3204



Customers Also Bought





Documents

Product Drawings

[3204 500K](#)

English

CAD Files

[3D PDF](#)

3D

Customer View Model

[ENG_CVM_CVM_1-1623909-3_BA.2d_dxf.zip](#)

English

Customer View Model

[ENG_CVM_CVM_1-1623909-3_BA.3d_igs.zip](#)

English

Customer View Model

[ENG_CVM_CVM_1-1623909-3_BA.3d_stp.zip](#)

English

By downloading the CAD file I accept and agree to the [Terms and Conditions](#) of use.

Datasheets & Catalog Pages

[1309350_PASSIVE_COMPONENT](#)

English

[SMD Economy Trimmers - Type 3204 Series - Tyco Electronics Passives](#)

English