



Citec | Citec 416

TE Internal #: 1623895-5

Citec 416, Trimmer Potentiometers, Through Hole - Solder Termination Method to Printed Circuit Board, Radial-Leaded, 8.1 x 6.8 x 3.5 mm

[View on TE.com >](#)

Passive Components > Resistors > Trimmer Potentiometers



Termination Method to Printed Circuit Board: **Through Hole - Solder**

Passive Component Lead Type: **Radial-Leaded**

Passive Component Dimensions: **8.1 x 6.8 x 3.5 mm**

Passive Component Tolerance: **.25 %**

Sealing Requirement: **Semi-Sealed**

Features

Product Type Features

Sealing Requirement	Semi-Sealed
Rotary Turn Type	Single Turn
Element Type	Cermet

Configuration Features

Number of Turns	1
Adjustment Location	Side
Adjustment Method	Cross Slot

Electrical Characteristics

Passive Component Tolerance	.25 %
Resistance Value	200 Ω
Power Rating	.2 W
Resistance Class	Up to 1kΩ

Body Features

Passive Component Lead Type	Radial-Leaded
Product Orientation	Vertical

Termination Features

Termination Method to Printed Circuit Board	Through Hole - Solder
---	-----------------------

Dimensions



Passive Component Dimensions	8.1 x 6.8 x 3.5 mm
------------------------------	--------------------

Usage Conditions

Temperature Coefficient	±250 ppm/°C
-------------------------	-------------

Product Compliance

[For compliance documentation, visit the product page on TE.com>](#)

EU RoHS Directive 2011/65/EU	Compliant
EU ELV Directive 2000/53/EC	Compliant with Exemptions
China RoHS 2 Directive MIIT Order No 32, 2016	No Restricted Materials Above Threshold
EU REACH Regulation (EC) No. 1907/2006	Current ECHA Candidate List: JAN 2021 (211) Candidate List Declared Against: JUN 2020 (209) SVHC > Threshold: Not Yet Reviewed
Halogen Content	Not Yet Reviewed for halogen content
Solder Process Capability	Wave solder capable to 265°C

Product Compliance Disclaimer

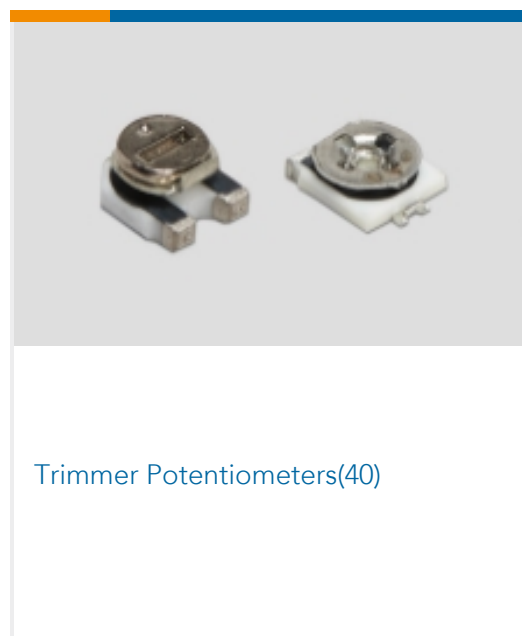
This information is provided based on reasonable inquiry of our suppliers and represents our current actual knowledge based on the information they provided. This information is subject to change. The part numbers that TE has identified as EU RoHS compliant have a maximum concentration of 0.1% by weight in homogenous materials for lead, hexavalent chromium, mercury, PBB, PBDE, DBP, BBP, DEHP, DIBP, and 0.01% for cadmium, or qualify for an exemption to these limits as defined in the Annexes of Directive 2011/65/EU (RoHS2). Finished electrical and electronic equipment products will be CE marked as required by Directive 2011/65/EU. Components may not be CE marked. Additionally, the part numbers that TE has identified as EU ELV compliant have a maximum concentration of 0.1% by weight in homogenous materials for lead, hexavalent chromium, and mercury, and 0.01% for cadmium, or qualify for an exemption to these limits as defined in the Annexes of Directive 2000/53/EC (ELV). Regarding the REACH Regulation, the information TE provides on SVHC in articles for this part number is based on the latest European Chemicals Agency (ECHA) 'Guidance on requirements for substances in articles' posted at this URL: <https://echa.europa.eu/guidance-documents/guidance-on-reach>

Compatible Parts

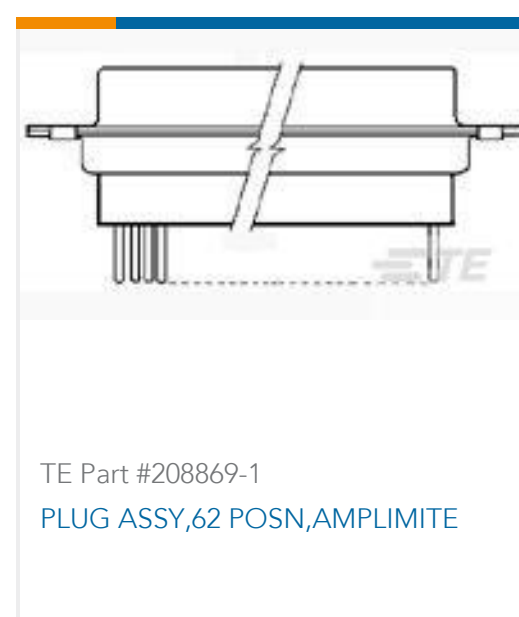
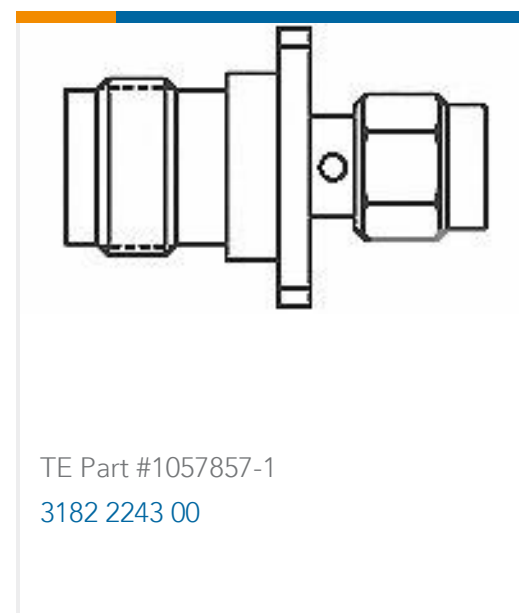




Also in the Series | Citec 416



Customers Also Bought





Documents

Product Drawings

[416X 200R](#)

English

Datasheets & Catalog Pages

[1309350_PASSIVE_COMPONENT](#)

English

[Type 416 Series Economy Trimmers](#)

English