

# SC101R5KT ✓ ACTIVE

Sigma | Sigma SC

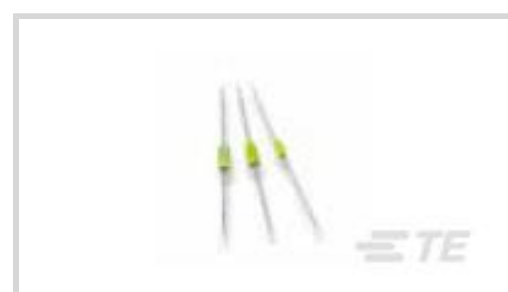
TE Internal #: 1623946-1

Sigma SC, High Frequency & RF Inductors, Radio Frequency, Through Hole - Solder, Box, 10 x 4.2 mm, 10 Passive Component Tolerance, Inductance 1.5  $\mu$ H

[View on TE.com >](#)



Passive Components > Inductors > High Frequency & RF Inductors



Inductor Type: **Radio Frequency**

Termination Method to Printed Circuit Board: **Through Hole - Solder**

Packaging Method: **Box**

Passive Component Dimensions: **10 x 4.2 mm**

Passive Component Tolerance: **10 %**

## Features

### Product Type Features

Inductor Type	Radio Frequency
Element Type	Wire Wound

### Electrical Characteristics

Self Resonant Frequency	.17 GHz
Passive Component Tolerance	10 %
Inductance	1.5 $\mu$ H
Current Rating (Max)	625 mA
DC Resistance	.6 $\Omega$

### Body Features

Passive Component Lead Type	Axial-Leaded
-----------------------------	--------------

### Termination Features

Termination Method to Printed Circuit Board	Through Hole - Solder
---	-----------------------

### Dimensions

Passive Component Dimensions	10 x 4.2 mm
------------------------------	-------------

### Usage Conditions

Operating Temperature Range	-55 – 100 $^{\circ}$ C
-----------------------------	------------------------

### Packaging Features

--	--



Packaging Method	Box
------------------	-----

**Other**

Inductor Quality Factor	32
-------------------------	----

**Product Compliance**

[For compliance documentation, visit the product page on TE.com>](#)

EU RoHS Directive 2011/65/EU	Compliant
EU ELV Directive 2000/53/EC	Compliant
China RoHS 2 Directive MIIT Order No 32, 2016	No Restricted Materials Above Threshold
EU REACH Regulation (EC) No. 1907/2006	Current ECHA Candidate List: JAN 2021 (211) Candidate List Declared Against: JUN 2020 (209) SVHC > Threshold: Not Yet Reviewed
Halogen Content	Not Low Halogen - contains Br or Cl > 900 ppm.
Solder Process Capability	Wave solder capable to 265°C

Product Compliance Disclaimer

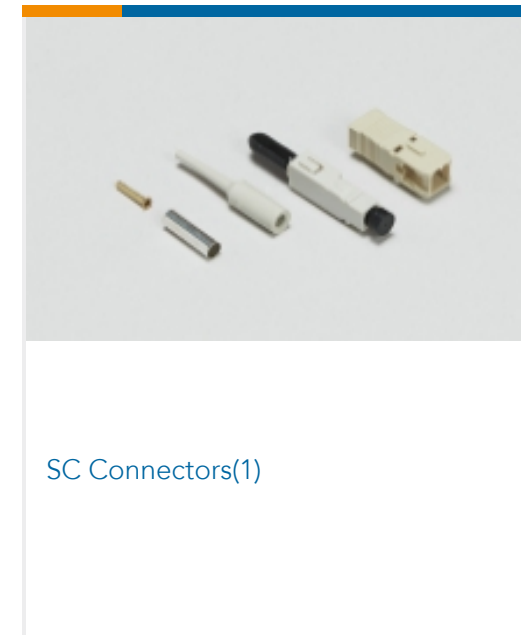
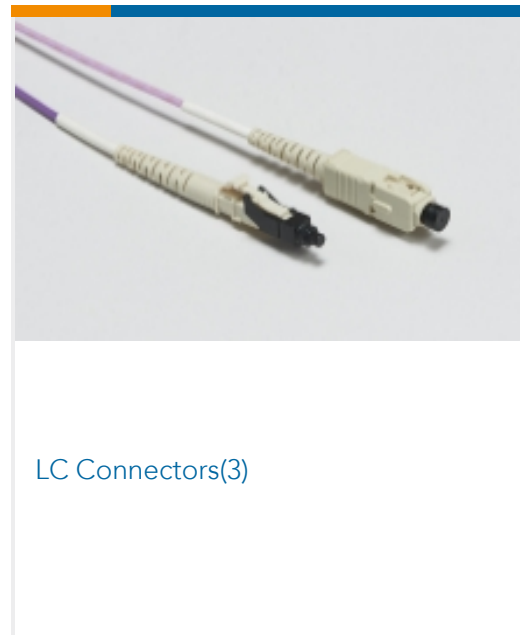
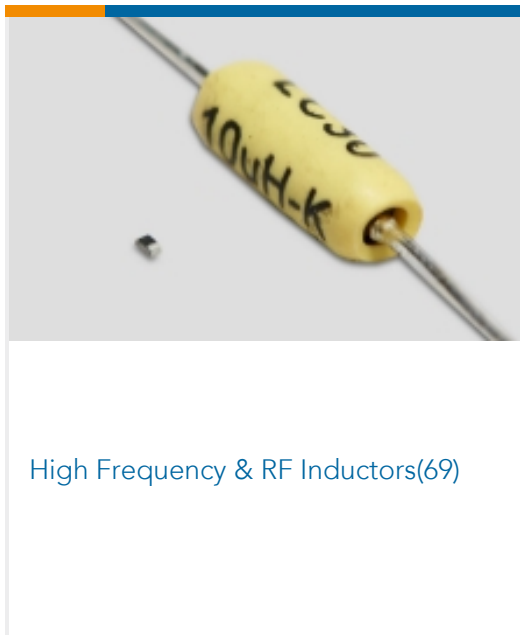
This information is provided based on reasonable inquiry of our suppliers and represents our current actual knowledge based on the information they provided. This information is subject to change. The part numbers that TE has identified as EU RoHS compliant have a maximum concentration of 0.1% by weight in homogenous materials for lead, hexavalent chromium, mercury, PBB, PBDE, DBP, BBP, DEHP, DIBP, and 0.01% for cadmium, or qualify for an exemption to these limits as defined in the Annexes of Directive 2011/65/EU (RoHS2). Finished electrical and electronic equipment products will be CE marked as required by Directive 2011/65/EU. Components may not be CE marked. Additionally, the part numbers that TE has identified as EU ELV compliant have a maximum concentration of 0.1% by weight in homogenous materials for lead, hexavalent chromium, and mercury, and 0.01% for cadmium, or qualify for an exemption to these limits as defined in the Annexes of Directive 2000/53/EC (ELV). Regarding the REACH Regulation, the information TE provides on SVHC in articles for this part number is based on the latest European Chemicals Agency (ECHA) 'Guidance on requirements for substances in articles' posted at this URL: <https://echa.europa.eu/guidance-documents/guidance-on-reach>

**Compatible Parts**

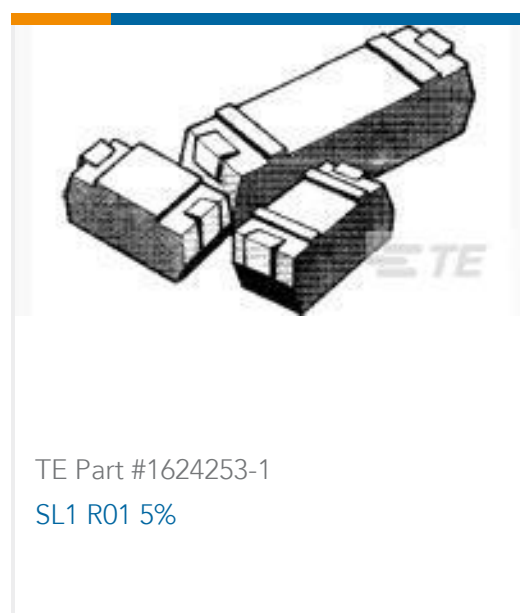
 <p>TE Part # 1624009-2 SC30-10-2513-10 1UH AMMO 1000</p>	 <p>TE Part # 1623937-3 SC10-10-0525-10 10UH AMMO 1000</p>	 <p>TE Part # 1624001-3 SC30-10-2537-10 100UH AMMO 1000</p>	 <p>TE Part # 1624023-2 SC30-10-2519-10 3.3UH AMMO 1000</p>
--	---	--	--



## Also in the Series | Sigma SC



## Customers Also Bought





## Documents

### Product Drawings

[SC10-10-0515-10 1.5UH AMMO 1000](#)

English

---

### CAD Files

[3D PDF](#)

3D

Customer View Model

[ENG\\_CVM\\_CVM\\_1623946-1\\_BA.2d\\_dxf.zip](#)

English

Customer View Model

[ENG\\_CVM\\_CVM\\_1623946-1\\_BA.3d\\_igs.zip](#)

English

Customer View Model

[ENG\\_CVM\\_CVM\\_1623946-1\\_BA.3d\\_stp.zip](#)

English

By downloading the CAD file I accept and agree to the [Terms and Conditions](#) of use.

---

### Datasheets & Catalog Pages

[1309350\\_PASSIVE\\_COMPONENT](#)

English

[Axial Leaded Power Inductors - Type SC10, SC15, SC30 Series - Tyco Electronics Passives](#)

English