



Citec | Citec 17P

TE Internal #: 1624199-9

Citec 17P, Potentiometers, .25W Power Rating, Wire Product

Terminates To, Panel Mount, 19.2 x 17 mm, 20 Passive Component

Tolerance

[View on TE.com >](#)

Passive Components > Resistors > Potentiometers



Power Rating: **.25 W**

Product Terminates To: **Wire**

Product Mount Type: **Panel Mount**

Passive Component Dimensions: **19.2 x 17 mm**

Passive Component Tolerance: **20 %**

Features

Product Type Features

Element Type	Thick Film
Sealing Requirement	Not Sealed
Rotary Turn Type	Single Turn

Configuration Features

Number of Turns	1
Sections	Single
Adjustment Location	Side
Adjustment Method	Shaft

Electrical Characteristics

Power Rating	.25 W
Passive Component Tolerance	20 %
Resistance Value	470K Ω
Resistance Class	1k Ω – 1M Ω

Body Features

Shaft Style	Flatted
Product Orientation	Right Angle

Termination Features

Product Terminates To	Wire
-----------------------	------



Mechanical Attachment

Product Mount Type	Panel Mount
--------------------	-------------

Dimensions

Passive Component Dimensions	19.2 x 17 mm
Shaft Size	6 x 19 mm

Product Compliance

[For compliance documentation, visit the product page on TE.com>](#)

EU RoHS Directive 2011/65/EU	Compliant
EU ELV Directive 2000/53/EC	Compliant
China RoHS 2 Directive MIIT Order No 32, 2016	No Restricted Materials Above Threshold
EU REACH Regulation (EC) No. 1907/2006	Current ECHA Candidate List: JAN 2021 (211) Candidate List Declared Against: JUN 2020 (209) SVHC > Threshold: Not Yet Reviewed
Halogen Content	Low Halogen - Br, Cl, F, I < 900 ppm per homogenous material. Also BFR/CFR/PVC Free
Solder Process Capability	Wave solder capable to 265°C

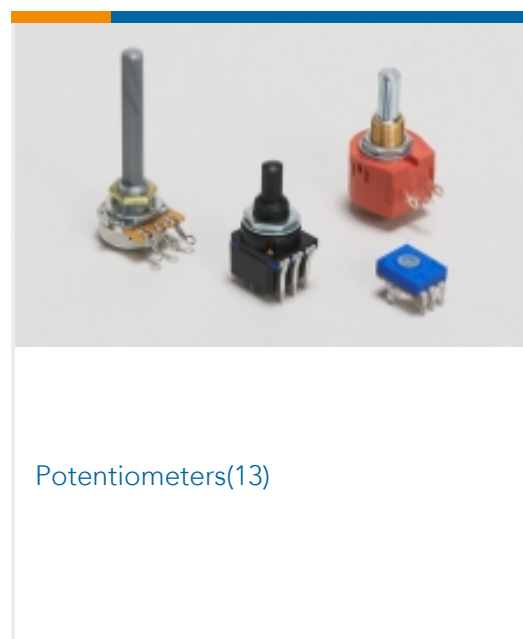
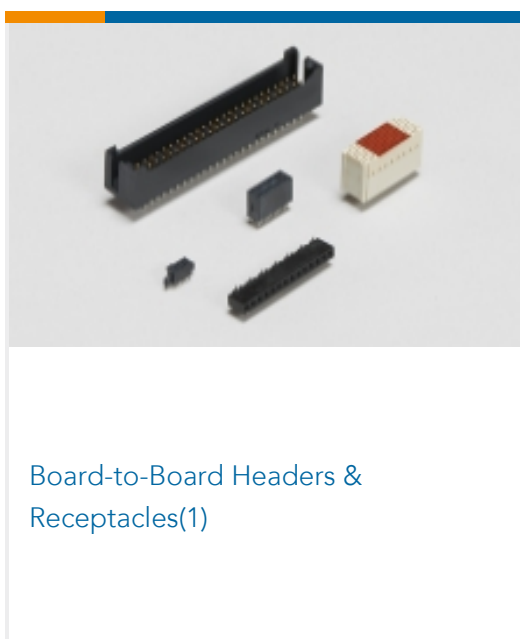
Product Compliance Disclaimer

This information is provided based on reasonable inquiry of our suppliers and represents our current actual knowledge based on the information they provided. This information is subject to change. The part numbers that TE has identified as EU RoHS compliant have a maximum concentration of 0.1% by weight in homogenous materials for lead, hexavalent chromium, mercury, PBB, PBDE, DBP, BBP, DEHP, DIBP, and 0.01% for cadmium, or qualify for an exemption to these limits as defined in the Annexes of Directive 2011/65/EU (RoHS2). Finished electrical and electronic equipment products will be CE marked as required by Directive 2011/65/EU. Components may not be CE marked. Additionally, the part numbers that TE has identified as EU ELV compliant have a maximum concentration of 0.1% by weight in homogenous materials for lead, hexavalent chromium, and mercury, and 0.01% for cadmium, or qualify for an exemption to these limits as defined in the Annexes of Directive 2000/53/EC (ELV). Regarding the REACH Regulation, the information TE provides on SVHC in articles for this part number is based on the latest European Chemicals Agency (ECHA) 'Guidance on requirements for substances in articles' posted at this URL: <https://echa.europa.eu/guidance-documents/guidance-on-reach>

Compatible Parts



Also in the Series | Citec 17P



Customers Also Bought





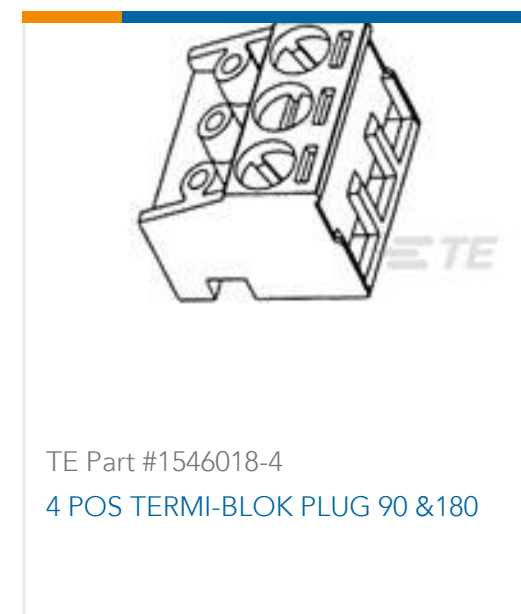
TE Part #1-480700-3
03P UMNL PLUG HSG ORNG



TE Part #104433-3
06 MODII HDR DRST B/A W/HD



TE Part #1410278-2
MULTIGIG RT PWR .8" VRT RCP 2P
PBFR



TE Part #1546018-4
4 POS TERMI-BLOK PLUG 90 &180
PBFR



TE Part #1622682-1
LR2 1% 12K



TE Part #MLP-50
LINEAR POT, MINI, 50MM RANGE

Documents

CAD Files

[3D PDF](#)

[3D](#)

Customer View Model

[ENG_CVM_CVM_1624199-9_A.2d_dxf.zip](#)

English

Customer View Model

[ENG_CVM_CVM_1624199-9_A.3d_igs.zip](#)

English

Customer View Model

[ENG_CVM_CVM_1624199-9_A.3d_stp.zip](#)

English

By downloading the CAD file I accept and agree to the [Terms and Conditions](#) of use.

Datasheets & Catalog Pages

[1309350_PASSIVE_COMPONENT](#)

English

[Spindle Operated Potentiometers - Type 17P series - Tyco Electronics Passives](#)

English