



Citec

TE Internal #: 1624213-2

Potentiometers, .4W Power Rating, Wire Product Terminates To, Panel Mount, 25.2 x 20.4 mm, 20 Passive Component Tolerance, 10KΩ Resistance Value

[View on TE.com >](#)

Passive Components > Resistors > Potentiometers



Power Rating: **.4 W**

Product Terminates To: **Wire**

Product Mount Type: **Panel Mount**

Passive Component Dimensions: **25.2 x 20.4 mm**

Passive Component Tolerance: **20 %**

**Features**

**Product Type Features**

Element Type	Carbon Film
Sealing Requirement	Not Sealed
Rotary Turn Type	Single Turn

**Configuration Features**

Number of Turns	1
Sections	Single
Adjustment Location	Side
Adjustment Method	Spindle

**Electrical Characteristics**

Power Rating	.4 W
Passive Component Tolerance	20 %
Resistance Value	10K Ω
Resistance Class	1kΩ – 1MΩ

**Body Features**

Shaft Style	Flatted
Product Orientation	Right Angle

**Termination Features**

Product Terminates To	Wire
-----------------------	------



### Mechanical Attachment

Product Mount Type	Panel Mount
--------------------	-------------

### Dimensions

Passive Component Dimensions	25.2 x 20.4 mm
Shaft Size	6.35 x 50 mm

### Product Compliance

[For compliance documentation, visit the product page on TE.com>](#)

EU RoHS Directive 2011/65/EU	Compliant
EU ELV Directive 2000/53/EC	Compliant
China RoHS 2 Directive MIIT Order No 32, 2016	No Restricted Materials Above Threshold
EU REACH Regulation (EC) No. 1907/2006	Current ECHA Candidate List: JAN 2021 (211) Candidate List Declared Against: JUN 2020 (209) SVHC > Threshold: Not Yet Reviewed
Halogen Content	Low Halogen - Br, Cl, F, I < 900 ppm per homogenous material. Also BFR/CFR/PVC Free
Solder Process Capability	Wave solder capable to 265°C

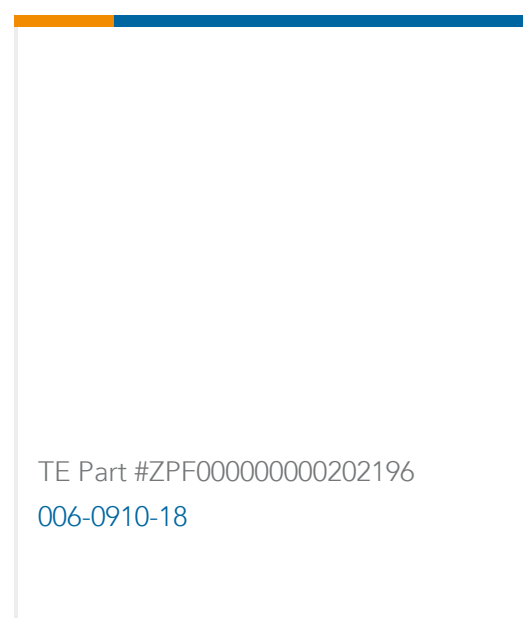
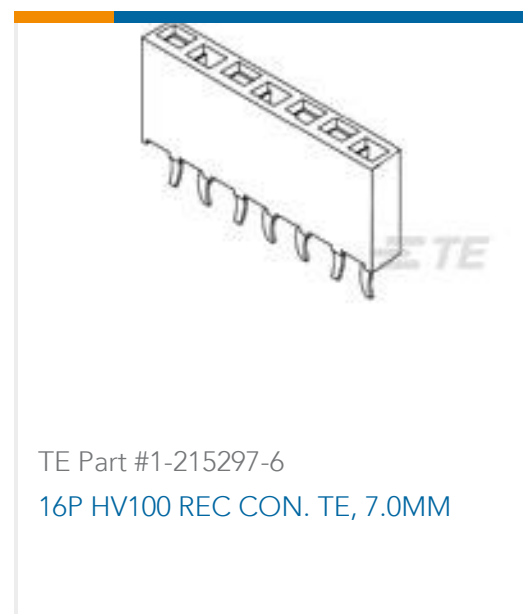
#### Product Compliance Disclaimer

This information is provided based on reasonable inquiry of our suppliers and represents our current actual knowledge based on the information they provided. This information is subject to change. The part numbers that TE has identified as EU RoHS compliant have a maximum concentration of 0.1% by weight in homogenous materials for lead, hexavalent chromium, mercury, PBB, PBDE, DBP, BBP, DEHP, DIBP, and 0.01% for cadmium, or qualify for an exemption to these limits as defined in the Annexes of Directive 2011/65/EU (RoHS2). Finished electrical and electronic equipment products will be CE marked as required by Directive 2011/65/EU. Components may not be CE marked. Additionally, the part numbers that TE has identified as EU ELV compliant have a maximum concentration of 0.1% by weight in homogenous materials for lead, hexavalent chromium, and mercury, and 0.01% for cadmium, or qualify for an exemption to these limits as defined in the Annexes of Directive 2000/53/EC (ELV). Regarding the REACH Regulation, the information TE provides on SVHC in articles for this part number is based on the latest European Chemicals Agency (ECHA) 'Guidance on requirements for substances in articles' posted at this URL: <https://echa.europa.eu/guidance-documents/guidance-on-reach>

### Compatible Parts



### Customers Also Bought



## Documents

### Product Drawings

23SE 10KB 6.35X50FL B7 CAT

English

### Datasheets & Catalog Pages

1309350\_PASSIVE\_COMPONENT

English

Spindle Operated Potentiometers - Type 23 series - Tyco Electronics Passives

English