

20ER1 ✓ ACTIVE

[Corcom](#) | [Corcom R](#)

TE Internal #: 1-6609031-7

Corcom R, Single Phase Filters, 20A Filter Current Rating, Flanged, .250" FASTON Input, .250" FASTON Output

[View on TE.com >](#)



[EMI Filters](#) > [Power Line Filters](#) > [Single Phase Filters](#) > [CORCOM R SERIES SINGLE PHASE FILTERS](#)



Filter Current Rating: **20 A**

Filter Mount Style: **Flanged**

Filter Input Termination Type: **.250" FASTON**

Filter Output Termination Type: **.250" FASTON**

Leakage Current (Max) (120VAC, 60Hz): **.21 mA**

[All CORCOM R SERIES SINGLE PHASE FILTERS \(36\)](#)

Features

Product Type Features

Ground Choke Option	No
Filter Type	Power Line
Filtering Requirements	Filtered
Filter Input Termination Type	.250" FASTON
Filter Output Termination Type	.250" FASTON

Electrical Characteristics

Voltage (Max)	250 VAC
Filter Current Rating	20 A
Leakage Current (Max) (120VAC, 60Hz)	.21 mA
Leakage Current (Max) (250VAC, 50Hz)	.36 mA

Mechanical Attachment

Filter Mount Style	Flanged
--------------------	---------

Usage Conditions

Operating Temperature Range	-10 – 40 °C
-----------------------------	-------------

Product Compliance

[For compliance documentation, visit the product page on TE.com>](#)



EU RoHS Directive 2011/65/EU	Compliant
EU ELV Directive 2000/53/EC	Compliant
China RoHS 2 Directive MIIT Order No 32, 2016	No Restricted Materials Above Threshold
EU REACH Regulation (EC) No. 1907/2006	Current ECHA Candidate List: JAN 2021 (211) Candidate List Declared Against: JUL 2019 (201) SVHC > Threshold: Not Yet Reviewed
Halogen Content	Not Low Halogen - contains Br or Cl > 900 ppm.
Solder Process Capability	Not applicable for solder process capability

Product Compliance Disclaimer

This information is provided based on reasonable inquiry of our suppliers and represents our current actual knowledge based on the information they provided. This information is subject to change. The part numbers that TE has identified as EU RoHS compliant have a maximum concentration of 0.1% by weight in homogenous materials for lead, hexavalent chromium, mercury, PBB, PBDE, DBP, BBP, DEHP, DIBP, and 0.01% for cadmium, or qualify for an exemption to these limits as defined in the Annexes of Directive 2011/65/EU (RoHS2). Finished electrical and electronic equipment products will be CE marked as required by Directive 2011/65/EU. Components may not be CE marked. Additionally, the part numbers that TE has identified as EU ELV compliant have a maximum concentration of 0.1% by weight in homogenous materials for lead, hexavalent chromium, and mercury, and 0.01% for cadmium, or qualify for an exemption to these limits as defined in the Annexes of Directive 2000/53/EC (ELV). Regarding the REACH Regulation, the information TE provides on SVHC in articles for this part number is based on the latest European Chemicals Agency (ECHA) 'Guidance on requirements for substances in articles' posted at this URL: <https://echa.europa.eu/guidance-documents/guidance-on-reach>

Compatible Parts



TE Part # CAT-C8114-R101
CORCOM R SERIES SINGLE PHASE FILTERS



TE Part # CAT-C8114-S1
CORCOM S SERIES SINGLE PHASE FILTERS



TE Part # CAT-C8114-U11
CORCOM U SERIES SINGLE PHASE FILTERS



TE Part # CAT-C8114-IK1
CORCOM IK SERIES SINGLE PHASE FILTERS



TE Part # CAT-C8114-R529
CORCOM RK SERIES SINGLE PHASE FILTERS

Also in the Series | Corcom R



Single Phase Filters(36)

Customers Also Bought



TE Part #1-6609020-1
CORCOM B SERIES SINGLE PHASE FILTERS



TE Part #1-1623808-3
Wirewound Resistor: Horizontal Mount



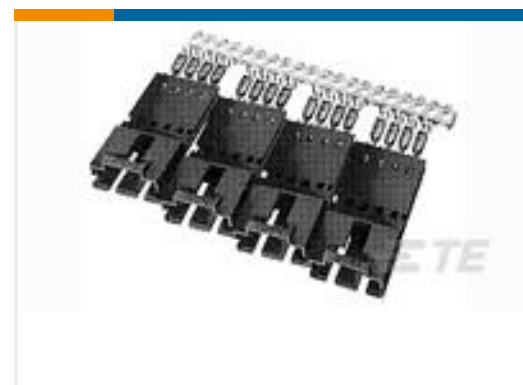
TE Part #1-1393560-8
V42254A 122V 1-SUB D BOLZENZA



TE Part #926895-3
UNIVERSAL M-N-L SOCKET



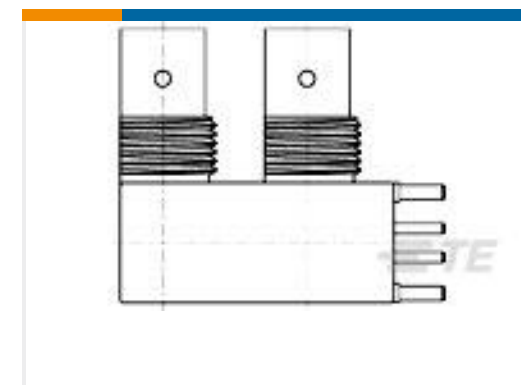
TE Part #1-770902-0
MINI UMNL SOK 26-22 AWG AU



TE Part #103945-2
5X3 MTE SHRD PIN SR LATCH .100



TE Part #1-51692-6
N SERIES PLUG RG 217



TE Part #1274684-1
JACK, 2 POSITION, STACKED, R/A, PCB, MIN



TE Part #150070-5
RING



TE Part #1-1437598-1
SKT332AEL01=#101 SKT-33-2 AEL

Documents

Product Drawings

[20ER1=F7193 S0](#)

English

CAD Files

Customer View Model

[ENG_CVM_1-6609031-7_E.3d_igs.zip](#)

English

Customer View Model



[ENG_CVM_1-6609031-7_E.3d_stp.zip](#)

English

Customer View Model

[ENG_CVM_1-6609031-7_E.2d_dxf.zip](#)

English

3D PDF

English

By downloading the CAD file I accept and agree to the [Terms and Conditions](#) of use.

Datasheets & Catalog Pages

[1654001_CORCOM_PRODUCT_GUIDE_R_SERIES](#)

English

[1654001_CORCOM_PRODUCT_GUIDE](#)

English

[1-1654250-1_CORCOM_EMI_RFI_QRG](#)

English

Corcom Combined Selector Charts

English