

30EMC6 ✓ ACTIVE

Corcom | Corcom EMC

TE Internal #: 1-6609037-6

Corcom EMC, Single Phase Filters, 30A Filter Current Rating, Flanged, 10-32 Stud Input, 10-32 Stud Output, Leakage Current (Max) (120VAC, 60Hz) .73 mA

[View on TE.com >](#)



EMI Filters > Power Line Filters > Single Phase Filters > CORCOM EMC SERIES SINGLE PHASE FILTERS



Filter Current Rating: **30 A**

Filter Mount Style: **Flanged**

Filter Input Termination Type: **10-32 Stud**

Filter Output Termination Type: **10-32 Stud**

Leakage Current (Max) (120VAC, 60Hz): **.73 mA**

[All CORCOM EMC SERIES SINGLE PHASE FILTERS \(13\)](#)

Features

Product Type Features

Ground Choke Option	No
Filter Type	Power Line
Filtering Requirements	Filtered
Filter Input Termination Type	10-32 Stud
Filter Output Termination Type	10-32 Stud

Electrical Characteristics

Voltage (Max)	250 VAC
Filter Current Rating	30 A
Leakage Current (Max) (120VAC, 60Hz)	.73 mA
Leakage Current (Max) (250VAC, 50Hz)	1.27 mA

Mechanical Attachment

Filter Mount Style	Flanged
--------------------	---------

Usage Conditions

Operating Temperature Range	-10 – 40 °C
-----------------------------	-------------

Product Compliance

[For compliance documentation, visit the product page on TE.com>](#)

EU RoHS Directive 2011/65/EU	Compliant
EU ELV Directive 2000/53/EC	Compliant
China RoHS 2 Directive MIIT Order No 32, 2016	No Restricted Materials Above Threshold
EU REACH Regulation (EC) No. 1907/2006	Current ECHA Candidate List: JAN 2021 (211) Candidate List Declared Against: JAN 2021 (211) Does not contain REACH SVHC
Halogen Content	Low Halogen - Br, Cl, F, I < 900 ppm per homogenous material. Also BFR/CFR/PVC Free
Solder Process Capability	Not applicable for solder process capability

Product Compliance Disclaimer

This information is provided based on reasonable inquiry of our suppliers and represents our current actual knowledge based on the information they provided. This information is subject to change. The part numbers that TE has identified as EU RoHS compliant have a maximum concentration of 0.1% by weight in homogenous materials for lead, hexavalent chromium, mercury, PBB, PBDE, DBP, BBP, DEHP, DIBP, and 0.01% for cadmium, or qualify for an exemption to these limits as defined in the Annexes of Directive 2011/65/EU (RoHS2). Finished electrical and electronic equipment products will be CE marked as required by Directive 2011/65/EU. Components may not be CE marked. Additionally, the part numbers that TE has identified as EU ELV compliant have a maximum concentration of 0.1% by weight in homogenous materials for lead, hexavalent chromium, and mercury, and 0.01% for cadmium, or qualify for an exemption to these limits as defined in the Annexes of Directive 2000/53/EC (ELV). Regarding the REACH Regulation, the information TE provides on SVHC in articles for this part number is based on the latest European Chemicals Agency (ECHA) 'Guidance on requirements for substances in articles' posted at this URL: <https://echa.europa.eu/guidance-documents/guidance-on-reach>

Compatible Parts



Also in the Series | [Corcom EMC](#)



Single Phase Filters(13)

Customers Also Bought



TE Part #1-6609037-5
CORCOM EMC SERIES SINGLE
PHASE FILTERS



TE Part #1445823-3
MINI CPC



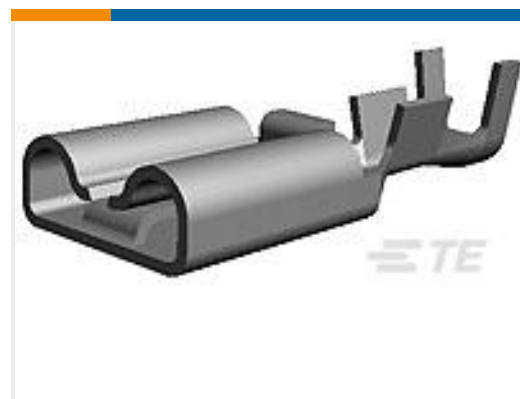
TE Part #1-2823588-3
M12 R/A CRIMPED STRAIN RELIEF



TE Part #1546413-3
ETHERNET RJ-45 BLKHD PASSTHRU



TE Part #1-964296-3
TIMER, RECEPTACLE AND TAB



TE Part #175023-1
PL 250 RECEPTACLE 18-14 AWG PTBR



TE Part #CB5002-000
BSTS-04X25



TE Part #1-1437685-4
2TK2-6=SNAP TRACK, PVC

Documents

Product Drawings

[30EMC6=F8131](#)

English

CAD Files

Customer View Model

[ENG_CVM_1-6609037-6_A.3d_igs.zip](#)

English

Customer View Model

[ENG_CVM_1-6609037-6_A.3d_stp.zip](#)

English

Customer View Model

[ENG_CVM_1-6609037-6_A.2d_dxf.zip](#)

English

3D PDF

English

By downloading the CAD file I accept and agree to the [Terms and Conditions](#) of use.



Datasheets & Catalog Pages

[1654001_CORCOM_PRODUCT_GUIDE](#)

English

[1654001_CORCOM_PRODUCT_GUIDE EMC_SERIES](#)

English

[1-1654250-1_CORCOM_EMI_RFI_QRG](#)

English

[1773449-2_CORCOM_HIGH_CURRENT](#)

English

[Corcom Combined Selector Charts](#)

English