

# RN73C2A165RBTG ✓ ACTIVE

Holsworthy | Holsworthy RN73

TE Internal #: 1676201-1

Holsworthy RN73, Surface Mount Resistors, Precision Resistor, 2 Termination, 0805, Cut Tape Length, .1 %, Thin Film, Resistance Class Up to 1k $\Omega$ , 165  $\Omega$

[View on TE.com >](#)



Passive Components > Resistors > Surface Mount Resistors



Resistor Type: **Precision Resistor**

Number of Terminations: **2**

Package Size Code: **0805**

Packaging Method: **Cut Tape Length**

Passive Component Tolerance: **.1 %**

## Features

### Product Type Features

Product Type	Fixed Resistor
Resistor Type	Precision Resistor
Package Size Code	0805
Element Type	Thin Film

### Configuration Features

Number of Resistors	1
---------------------	---

### Electrical Characteristics

Voltage Rating	100 V
Passive Component Tolerance	.1 %
Resistance Class	Up to 1k $\Omega$
Resistance Value	165 $\Omega$
Power Rating	.1 W

### Termination Features

Number of Terminations	2
Surface Mount Resistor Termination Type	Solder

### Dimensions

Passive Component Dimensions	2 x 1.25 x .55 mm
------------------------------	-------------------

### Usage Conditions

Temperature Coefficient	$\pm 10$ ppm/ $^{\circ}\text{C}$
-------------------------	----------------------------------

### Packaging Features

Packaging Method	Cut Tape Length
------------------	-----------------

### Product Compliance

[For compliance documentation, visit the product page on TE.com>](#)

EU RoHS Directive 2011/65/EU	Compliant
EU ELV Directive 2000/53/EC	Compliant
China RoHS 2 Directive MIIT Order No 32, 2016	No Restricted Materials Above Threshold
EU REACH Regulation (EC) No. 1907/2006	Current ECHA Candidate List: JAN 2021 (211) Candidate List Declared Against: JUN 2020 (209) SVHC > Threshold: Not Yet Reviewed
Halogen Content	Low Halogen - Br, Cl, F, I < 900 ppm per homogenous material. Also BFR/CFR/PVC Free
Solder Process Capability	Reflow solder capable to 260 $^{\circ}\text{C}$

#### Product Compliance Disclaimer

This information is provided based on reasonable inquiry of our suppliers and represents our current actual knowledge based on the information they provided. This information is subject to change. The part numbers that TE has identified as EU RoHS compliant have a maximum concentration of 0.1% by weight in homogenous materials for lead, hexavalent chromium, mercury, PBB, PBDE, DBP, BBP, DEHP, DIBP, and 0.01% for cadmium, or qualify for an exemption to these limits as defined in the Annexes of Directive 2011/65/EU (RoHS2). Finished electrical and electronic equipment products will be CE marked as required by Directive 2011/65/EU. Components may not be CE marked. Additionally, the part numbers that TE has identified as EU ELV compliant have a maximum concentration of 0.1% by weight in homogenous materials for lead, hexavalent chromium, and mercury, and 0.01% for cadmium, or qualify for an exemption to these limits as defined in the Annexes of Directive 2000/53/EC (ELV). Regarding the REACH Regulation, the information TE provides on SVHC in articles for this part number is based on the latest European Chemicals Agency (ECHA) 'Guidance on requirements for substances in articles' posted at this URL: <https://echa.europa.eu/guidance-documents/guidance-on-reach>

### Compatible Parts



TE Part # 1614349-9  
RN 0603 10K 0.1% 10PPM CUT LENGTH



TE Part # 1676153-3  
RN 0805 10K 0.1% 10PPM 5KRL



TE Part # 1676153-2  
RN 0805 10K 0.1% 10PPM 1KRL




TE Part # 1-1676142-3  
RN 0805 100K 0.01% 10PPM 5K RL



TE Part # 8-1879130-4  
RN 0402 5K11 0.1% 10PPM 5K RL

Also in the Series | **Holsworthy RN73**



Surface Mount Resistors(2573)

Customers Also Bought



TE Part #1676402-1  
RN 0805 64K9 0.1% 10PPM CUT LENGTH



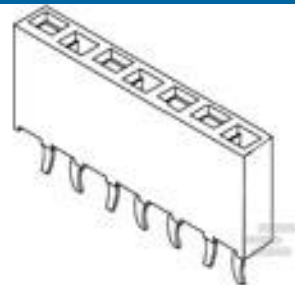
TE Part #281740-8  
HE13/HE14 TH Headers, DRST



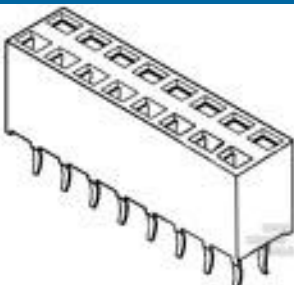
TE Part #1676178-1  
RN 0805 133R 0.1% 10PPM CUT LENGTH



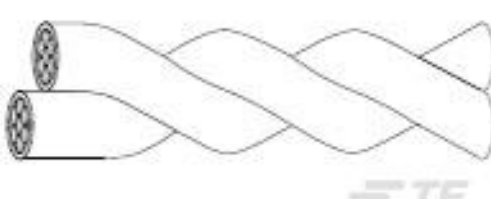
TE Part #1623939-2  
SC10-10-0549-10 1000UH AMMO 1000




TE Part #2-215297-8  
28P HV100 REC CON. TE, 7.0MM



TE Part #2-215307-8  
2X28P HV100 REC CON. TE, 7.0MM



TE Part #841967-000  
44A0121-14-6/9



TE Part #1949923001  
55A0131-26-0/1/4



## Documents

### CAD Files

[3D PDF](#)

3D

#### Customer View Model

[ENG\\_CVM\\_CVM\\_1676201-1\\_BC.2d\\_dxf.zip](#)

English

#### Customer View Model

[ENG\\_CVM\\_CVM\\_1676201-1\\_BC.3d\\_igs.zip](#)

English

#### Customer View Model

[ENG\\_CVM\\_CVM\\_1676201-1\\_BC.3d\\_stp.zip](#)

English

By downloading the CAD file I accept and agree to the [Terms and Conditions](#) of use.

### Datasheets & Catalog Pages

[1309350\\_PASSIVE\\_COMPONENT](#)

English

[High Precision Resistors \(SMD\) - Type RN73 Series - Tyco Electronics Passives](#)

English

[8-1773459-4\\_POWER\\_FILTERING\\_AND\\_RESISTIVE\\_SOLUTIONS\\_FOR\\_ELEVATORS\\_AND\\_ESCALATORS](#)

English