



Relays, Contactors & Switches > Switches > Switch Knobs



Switch Knob Product Type: **Knob**

Switch Knob Material: **Aluminum 56S**

Knob Design: **Serrated Diamond Trim Cut**

Shaft Size: **3.17 mm [.125 in]**

Switch Knob Diameter: **9.5 mm [.374 in]**

Features

Product Type Features

Switch Knob Product Type	Knob
--------------------------	------

Configuration Features

Skirt	With
Spinner	Without
Spin Plate	Without
Knob Design	Serrated Diamond Trim Cut

Body Features

Switch Knob Material	Aluminum 56S
Switch Knob Color	Black

Dimensions

Shaft Size	3.17 mm[.125 in]
Switch Knob Diameter	9.5 mm[.374 in]

Identification Marking

Indicator Style	Dot
Indicator Location	On Skirt

Other

Comment	Use only one set screw. Located 180° from indicator dot.
---------	--



Product Compliance

[For compliance documentation, visit the product page on TE.com>](#)

EU RoHS Directive 2011/65/EU	Compliant
EU ELV Directive 2000/53/EC	Compliant
China RoHS 2 Directive MIIT Order No 32, 2016	No Restricted Materials Above Threshold
EU REACH Regulation (EC) No. 1907/2006	Current ECHA Candidate List: JAN 2021 (211) Candidate List Declared Against: JAN 2021 (211) Does not contain REACH SVHC
Halogen Content	Low Halogen - Br, Cl, F, I < 900 ppm per homogenous material. Also BFR/CFR/PVC Free
Solder Process Capability	Not applicable for solder process capability

Product Compliance Disclaimer

This information is provided based on reasonable inquiry of our suppliers and represents our current actual knowledge based on the information they provided. This information is subject to change. The part numbers that TE has identified as EU RoHS compliant have a maximum concentration of 0.1% by weight in homogenous materials for lead, hexavalent chromium, mercury, PBB, PBDE, DBP, BBP, DEHP, DIBP, and 0.01% for cadmium, or qualify for an exemption to these limits as defined in the Annexes of Directive 2011/65/EU (RoHS2). Finished electrical and electronic equipment products will be CE marked as required by Directive 2011/65/EU. Components may not be CE marked. Additionally, the part numbers that TE has identified as EU ELV compliant have a maximum concentration of 0.1% by weight in homogenous materials for lead, hexavalent chromium, and mercury, and 0.01% for cadmium, or qualify for an exemption to these limits as defined in the Annexes of Directive 2000/53/EC (ELV). Regarding the REACH Regulation, the information TE provides on SVHC in articles for this part number is based on the latest European Chemicals Agency (ECHA) 'Guidance on requirements for substances in articles' posted at this URL: <https://echa.europa.eu/guidance-documents/guidance-on-reach>

Compatible Parts



Also in the Series | [Alcoswitch KU](#)



Switch Knobs(3)

Customers Also Bought



TE Part #1776088-1
CMC SERIES 4



TE Part #1757819-4
AMPLIMITE,ASY,PLUG,STD,109,ZN,4



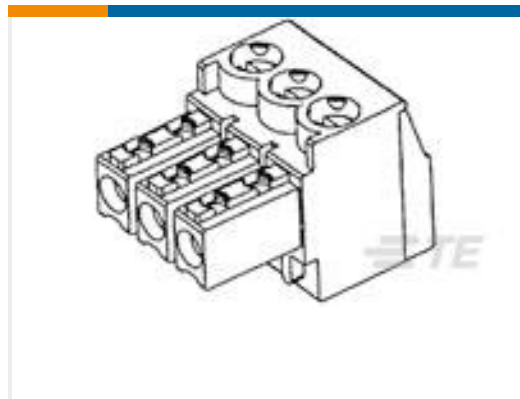
TE Part #1757820-5
AMPLIMITE,ASY,RCPT,STD,109,ZN,5



TE Part #103946-5
2X6 MTE SHRD PIN SR POL .100CL



TE Part #1-177665-2
DYNAMIC 3100 HDR ASSY



TE Part #1-284506-4
14 POS TERMI-BLOK PLUG STAC 3,



TE Part #1-200871-0
SER. "M" JACKSCREW MALE ASSY



TE Part #1-1986692-0
STR PLUG SPRING TYPE RH 10P, 3.50 mm



TE Part #1879995-1
NECTOR M 5P T-SPLITTER CONNECTOR CODE A



TE Part #J04560055-002
CORE ROD ASSY 093262002

Documents

CAD Files

[3D PDF](#)

[3D](#)

Customer View Model

[ENG_CVM_CVM_2-1437623-2_99_c-2-1437623-2-99.2d_dxf.zip](#)

English

Customer View Model

[ENG_CVM_CVM_2-1437623-2_99_c-2-1437623-2-99.3d_igs.zip](#)



English

Customer View Model

[ENG_CVM_CVM_2-1437623-2_99_c-2-1437623-2-99.3d_stp.zip](#)

English

By downloading the CAD file I accept and agree to the [Terms and Conditions](#) of use.

Datasheets & Catalog Pages

[SWITCHES_CORE_PROGRAM_CATALOG](#)

English