



Passive Components &gt; Resistors &gt; Potentiometers

Power Rating: **2 W**Product Terminates To: **Printed Circuit Board**Product Mount Type: **Panel Mount**Passive Component Dimensions: **12.7 x 19.05 mm**Passive Component Tolerance: **10 %**

## Features

### Product Type Features

Element Type	Cermet
Sealing Requirement	Sealed
Rotary Turn Type	Single Turn

### Configuration Features

Number of Turns	1
Sections	Single
Adjustment Location	Top
Adjustment Method	Shaft

### Electrical Characteristics

Power Rating	2 W
Passive Component Tolerance	10 %
Resistance Value	1K $\Omega$
Resistance Class	1k $\Omega$ – 1M $\Omega$

### Body Features

Shaft Style	Plain
Product Orientation	Vertical

### Termination Features

Product Terminates To	Printed Circuit Board
-----------------------	-----------------------



## Mechanical Attachment

Product Mount Type	Panel Mount
--------------------	-------------

## Dimensions

Passive Component Dimensions	12.7 x 19.05 mm
	1 in

## Product Compliance

[For compliance documentation, visit the product page on TE.com>](#)

EU RoHS Directive 2011/65/EU	Compliant with Exemptions
EU ELV Directive 2000/53/EC	Compliant with Exemptions
China RoHS 2 Directive MIIT Order No 32, 2016	Restricted Materials Above Threshold
EU REACH Regulation (EC) No. 1907/2006	Current ECHA Candidate List: JAN 2021 (211) Candidate List Declared Against: JUN 2020 (209) SVHC > Threshold: Not Yet Reviewed
Halogen Content	Low Halogen - Br, Cl, F, I < 900 ppm per homogenous material. Also BFR/CFR/PVC Free
Solder Process Capability	Pin-in-Paste capable to 260°C

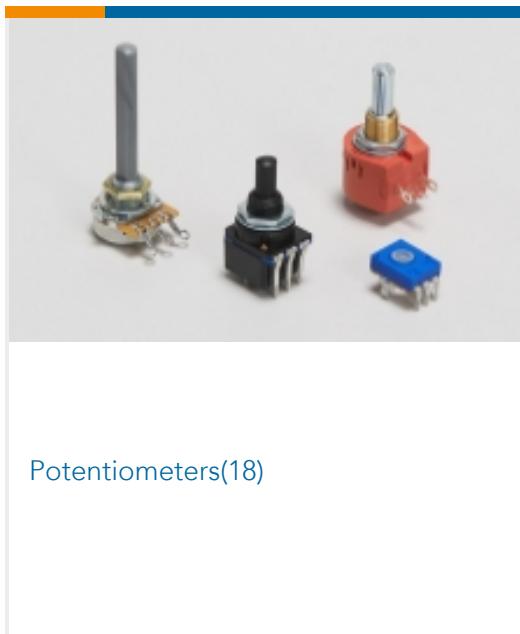
### Product Compliance Disclaimer

This information is provided based on reasonable inquiry of our suppliers and represents our current actual knowledge based on the information they provided. This information is subject to change. The part numbers that TE has identified as EU RoHS compliant have a maximum concentration of 0.1% by weight in homogenous materials for lead, hexavalent chromium, mercury, PBB, PBDE, DBP, BBP, DEHP, DIBP, and 0.01% for cadmium, or qualify for an exemption to these limits as defined in the Annexes of Directive 2011/65/EU (RoHS2). Finished electrical and electronic equipment products will be CE marked as required by Directive 2011/65/EU. Components may not be CE marked. Additionally, the part numbers that TE has identified as EU ELV compliant have a maximum concentration of 0.1% by weight in homogenous materials for lead, hexavalent chromium, and mercury, and 0.01% for cadmium, or qualify for an exemption to these limits as defined in the Annexes of Directive 2000/53/EC (ELV). Regarding the REACH Regulation, the information TE provides on SVHC in articles for this part number is based on the latest European Chemicals Agency (ECHA) 'Guidance on requirements for substances in articles' posted at this URL: <https://echa.europa.eu/guidance-documents/guidance-on-reach>

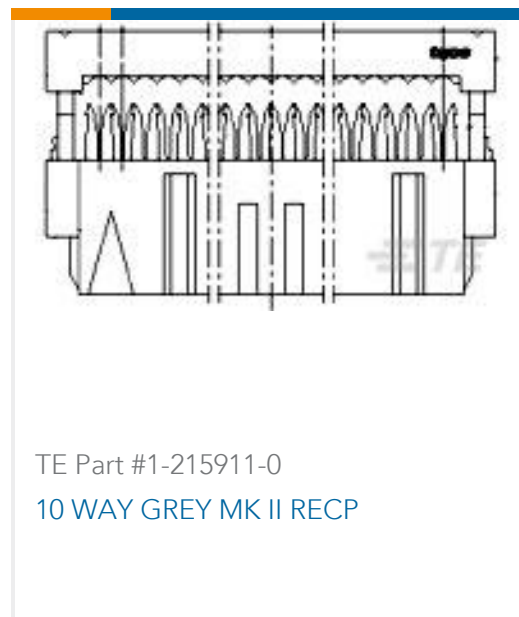
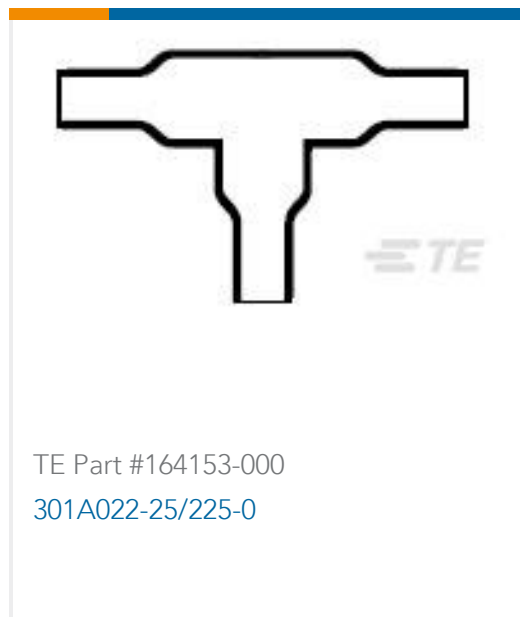
## Compatible Parts



Also in the Series | Citec M



Customers Also Bought





## Documents

### Product Drawings

MCU 1K 10% 1"PL

English

### CAD Files

Customer View Model

[ENG\\_CVM\\_2-1625931-8\\_P00K.3d\\_igs.zip](#)

English

Customer View Model

[ENG\\_CVM\\_2-1625931-8\\_P00K.3d\\_stp.zip](#)

English

Customer View Model

[ENG\\_CVM\\_2-1625931-8\\_P00K.2d\\_dxf.zip](#)

English

### 3D PDF

English

By downloading the CAD file I accept and agree to the [Terms and Conditions](#) of use.

### Datasheets & Catalog Pages

[1309350\\_PASSIVE\\_COMPONENT](#)

English

[Spindle Operated Potentiometers - Type M Series - Tyco Electronics Passives](#)

English