

KN1251B1/4 ✓ ACTIVE

Alcoswitch

TE Internal #: 3-1437622-0

Switch Knobs, Knob, Aluminum 5056-H18, Straight Knurl Knob Design, .25in [6.35mm] Shaft Size, 1.25in [31.75mm] Switch Knob Diameter, Black, Line

[View on TE.com >](#)



Relays, Contactors & Switches > Switches > Switch Knobs



Switch Knob Product Type: **Knob**

Switch Knob Material: **Aluminum 5056-H18**

Knob Design: **Straight Knurl**

Shaft Size: **6.35 mm [.25 in]**

Switch Knob Diameter: **31.75 mm [1.25 in]**

Features

Product Type Features

Switch Knob Product Type	Knob
--------------------------	------

Configuration Features

Skirt	Without
Spinner	Without
Spin Plate	Without
Knob Design	Straight Knurl

Body Features

Switch Knob Material	Aluminum 5056-H18
Switch Knob Color	Black

Dimensions

Shaft Size	6.35 mm[.25 in]
Switch Knob Diameter	31.75 mm[1.25 in]

Identification Marking

Indicator Style	Line
Indicator Location	Side

Product Compliance

[For compliance documentation, visit the product page on TE.com>](#)



EU RoHS Directive 2011/65/EU	Compliant
EU ELV Directive 2000/53/EC	Compliant
China RoHS 2 Directive MIIT Order No 32, 2016	No Restricted Materials Above Threshold
EU REACH Regulation (EC) No. 1907/2006	Current ECHA Candidate List: JAN 2021 (211) Candidate List Declared Against: JUN 2020 (209) SVHC > Threshold: Not Yet Reviewed
Halogen Content	Low Halogen - Br, Cl, F, I < 900 ppm per homogenous material. Also BFR/CFR/PVC Free
Solder Process Capability	Not applicable for solder process capability

Product Compliance Disclaimer

This information is provided based on reasonable inquiry of our suppliers and represents our current actual knowledge based on the information they provided. This information is subject to change. The part numbers that TE has identified as EU RoHS compliant have a maximum concentration of 0.1% by weight in homogenous materials for lead, hexavalent chromium, mercury, PBB, PBDE, DBP, BBP, DEHP, DIBP, and 0.01% for cadmium, or qualify for an exemption to these limits as defined in the Annexes of Directive 2011/65/EU (RoHS2). Finished electrical and electronic equipment products will be CE marked as required by Directive 2011/65/EU. Components may not be CE marked. Additionally, the part numbers that TE has identified as EU ELV compliant have a maximum concentration of 0.1% by weight in homogenous materials for lead, hexavalent chromium, and mercury, and 0.01% for cadmium, or qualify for an exemption to these limits as defined in the Annexes of Directive 2000/53/EC (ELV). Regarding the REACH Regulation, the information TE provides on SVHC in articles for this part number is based on the latest European Chemicals Agency (ECHA) 'Guidance on requirements for substances in articles' posted at this URL: <https://echa.europa.eu/guidance-documents/guidance-on-reach>

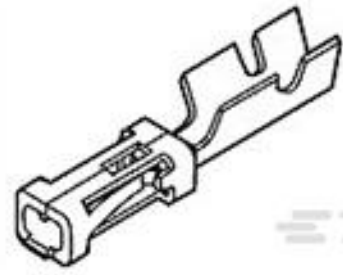
Compatible Parts



Customers Also Bought




TE Part #1-2199300-2
 DIP Socket: Standard, Stamped &
 Formed, Open, Tin



TE Part #102128-1
 MOD V RECP LP



TE Part #170364-3
 MINI UNIVERSAL M-N-L PIN LP



TE Part #1-770876-1
 09P MINI UMNL HDR ASSY AU LF




TE Part #1-770182-1
 09P MINI UMNL ASSY VO SNAU LF



TE Part #103308-8
 040 LOPRO HDR SP 15DP



TE Part #1052897-1
 2052 5636 00



TE Part #HPP809A031
 Humidity Temperature Transducer



TE Part #1-770182-0
 09P MINI-UMNL ASSY VO SNNI



TE Part #1483351-3
 MICRO-MATCH LEAD 06P 250MM

Documents

CAD Files

3D PDF

3D

Customer View Model

[ENG_CVM_CVM_3-1437622-0_99_c-3-1437622-0-99.2d_dxf.zip](#)

English

Customer View Model

[ENG_CVM_CVM_3-1437622-0_99_c-3-1437622-0-99.3d_igs.zip](#)

English

Customer View Model

[ENG_CVM_CVM_3-1437622-0_99_c-3-1437622-0-99.3d_stp.zip](#)

English

By downloading the CAD file I accept and agree to the [Terms and Conditions](#) of use.

Datasheets & Catalog Pages

[Alcoswitch Products](#)

English