

KN1751BS1/4 ✓ ACTIVE

Alcoswitch

TE Internal #: 3-1437622-8

Switch Knobs, Knob, Aluminum 5056(56S), Straight Knurl Knob Design, .25in [6.35mm] Shaft Size, 1.75in [44.5mm] Switch Knob Diameter, Black

[View on TE.com >](#)



Relays, Contactors & Switches > Switches > Switch Knobs



Switch Knob Product Type: **Knob**

Switch Knob Material: **Aluminum 5056(56S)**

Knob Design: **Straight Knurl**

Shaft Size: **6.35 mm [.25 in]**

Switch Knob Diameter: **44.5 mm [1.75 in]**

Features

Product Type Features

| | |
|--------------------------|------|
| Switch Knob Product Type | Knob |
|--------------------------|------|

Configuration Features

| | |
|--------------|----------------|
| Skirt | Without |
| Spinner Type | Fingertip |
| Spinner | With |
| Spin Plate | Without |
| Knob Design | Straight Knurl |

Body Features

| | |
|----------------------|--------------------|
| Spinner Color | Black |
| Switch Knob Material | Aluminum 5056(56S) |
| Switch Knob Color | Black |

Dimensions

| | |
|----------------------|------------------|
| Shaft Size | 6.35 mm[.25 in] |
| Switch Knob Diameter | 44.5 mm[1.75 in] |

Identification Marking

| | |
|--------------------|-------------------|
| Indicator Style | Fingertip Spinner |
| Indicator Location | Top |



Product Compliance

[For compliance documentation, visit the product page on TE.com>](#)

| | |
|---|---|
| EU RoHS Directive 2011/65/EU | Not Compliant |
| EU ELV Directive 2000/53/EC | Not Compliant |
| China RoHS 2 Directive MIIT Order No 32, 2016 | Restricted Materials Above Threshold |
| EU REACH Regulation (EC) No. 1907/2006 | Current ECHA Candidate List: JAN 2021 (211) Candidate List Declared Against: JAN 2021 (211) Does not contain REACH SVHC |
| Halogen Content | Low Halogen - Br, Cl, F, I < 900 ppm per homogenous material. Also BFR/CFR/PVC Free |
| Solder Process Capability | Not applicable for solder process capability |

Product Compliance Disclaimer

This information is provided based on reasonable inquiry of our suppliers and represents our current actual knowledge based on the information they provided. This information is subject to change. The part numbers that TE has identified as EU RoHS compliant have a maximum concentration of 0.1% by weight in homogenous materials for lead, hexavalent chromium, mercury, PBB, PBDE, DBP, BBP, DEHP, DIBP, and 0.01% for cadmium, or qualify for an exemption to these limits as defined in the Annexes of Directive 2011/65/EU (RoHS2). Finished electrical and electronic equipment products will be CE marked as required by Directive 2011/65/EU. Components may not be CE marked. Additionally, the part numbers that TE has identified as EU ELV compliant have a maximum concentration of 0.1% by weight in homogenous materials for lead, hexavalent chromium, and mercury, and 0.01% for cadmium, or qualify for an exemption to these limits as defined in the Annexes of Directive 2000/53/EC (ELV). Regarding the REACH Regulation, the information TE provides on SVHC in articles for this part number is based on the latest European Chemicals Agency (ECHA) 'Guidance on requirements for substances in articles' posted at this URL: <https://echa.europa.eu/guidance-documents/guidance-on-reach>

Compatible Parts

| | | |
|---|---|--|
|  <p>TE Part # 3-1437622-0 KN1251B1/4=KNOB BLK KNURL L/HA</p> |  <p>TE Part # 3-1437622-6 KN1751B1/4=KNOB BLK KNURL L/HA</p> |  <p>TE Part # 3-1437622-2 KN1751A1/4=KNOB AL KNURL L/HA</p> |
|---|---|--|

Customers Also Bought




TE Part #1-640454-1
Polyester Vertical PCB Header: 2.54 mm, With Mating Alignment, Unshrouded



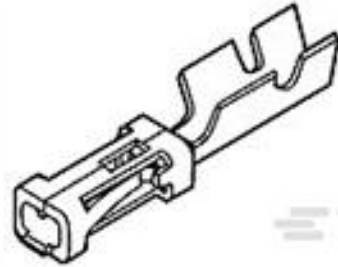
TE Part #1-207532-0
SKT HDR ASSY,24P,MMATE LF



TE Part #1658621-1
10 NOVO MIL/CTR 15DP,LEAD FREE



TE Part #1761608-3
IDC LOW PRO HDR 10P VERT SHT L



TE Part #1-87523-6
MOD IV RECP LP



TE Part #1-87175-8
08 LOCKING CLIP HSG SR .100CL



TE Part #1825255-8
MHS133G04=SP3T SL SW VERT AU



TE Part #1437622-7
KLN900B1/4=KNOB KNURL W/IND LI

TE Part #YAFD50-14-12SNC012
RECP ASSY

TE Part #1924580-2
ASSEMBLY SOCKET LOOSE PC NICKE

Documents

CAD Files

3D PDF

3D

Customer View Model

[ENG_CVM_CVM_3-1437622-8_A.2d_dxf.zip](#)

English

Customer View Model

[ENG_CVM_CVM_3-1437622-8_A.3d_igs.zip](#)

English

Customer View Model

[ENG_CVM_CVM_3-1437622-8_A.3d_stp.zip](#)

English

By downloading the CAD file I accept and agree to the [Terms and Conditions](#) of use.

Datasheets & Catalog Pages

[Alcoswitch Products](#)

English