

3-1609037-0 ✓ ACTIVE

[Corcom](#) | [Corcom HZ](#)

TE Internal #: 3-1609037-0

Corcom HZ, Single Phase Filters, 10A Filter Current Rating,
Flanged, .250" FASTON Input, .250" FASTON Output

[View on TE.com >](#)



[EMI Filters](#) > [Power Line Filters](#) > [Single Phase Filters](#) > [CORCOM HZ SERIES SINGLE PHASE FILTERS](#)



Filter Current Rating: **10 A**

Filter Mount Style: **Flanged**

Filter Input Termination Type: **.250" FASTON**

Filter Output Termination Type: **.250" FASTON**

Leakage Current (Max) (120VAC, 60Hz): **.002 mA**

[All CORCOM HZ SERIES SINGLE PHASE FILTERS \(8\)](#)

Features

Product Type Features

Ground Choke Option	No
Filter Type	Power Line
Filtering Requirements	Filtered
Filter Input Termination Type	.250" FASTON
Filter Output Termination Type	.250" FASTON

Electrical Characteristics

Voltage (Max)	250 VAC
Filter Current Rating	10 A
Leakage Current (Max) (120VAC, 60Hz)	.002 mA
Leakage Current (Max) (250VAC, 50Hz)	.005 mA

Mechanical Attachment

Filter Mount Style	Flanged
--------------------	---------

Usage Conditions

Operating Temperature Range	-10 – 40 °C
-----------------------------	-------------

Product Compliance

[For compliance documentation, visit the product page on TE.com>](#)

EU RoHS Directive 2011/65/EU	Compliant
EU ELV Directive 2000/53/EC	Compliant
China RoHS 2 Directive MIIT Order No 32, 2016	No Restricted Materials Above Threshold
EU REACH Regulation (EC) No. 1907/2006	Current ECHA Candidate List: JAN 2021 (211) Candidate List Declared Against: JAN 2021 (211) Does not contain REACH SVHC
Halogen Content	Low Halogen - Br, Cl, F, I < 900 ppm per homogenous material. Also BFR/CFR/PVC Free
Solder Process Capability	Not applicable for solder process capability

Product Compliance Disclaimer

This information is provided based on reasonable inquiry of our suppliers and represents our current actual knowledge based on the information they provided. This information is subject to change. The part numbers that TE has identified as EU RoHS compliant have a maximum concentration of 0.1% by weight in homogenous materials for lead, hexavalent chromium, mercury, PBB, PBDE, DBP, BBP, DEHP, DIBP, and 0.01% for cadmium, or qualify for an exemption to these limits as defined in the Annexes of Directive 2011/65/EU (RoHS2). Finished electrical and electronic equipment products will be CE marked as required by Directive 2011/65/EU. Components may not be CE marked. Additionally, the part numbers that TE has identified as EU ELV compliant have a maximum concentration of 0.1% by weight in homogenous materials for lead, hexavalent chromium, and mercury, and 0.01% for cadmium, or qualify for an exemption to these limits as defined in the Annexes of Directive 2000/53/EC (ELV). Regarding the REACH Regulation, the information TE provides on SVHC in articles for this part number is based on the latest European Chemicals Agency (ECHA) 'Guidance on requirements for substances in articles' posted at this URL: <https://echa.europa.eu/guidance-documents/guidance-on-reach>

Compatible Parts



Also in the Series | Corcom HZ



Single Phase Filters(8)

Customers Also Bought



TE Part #2-1609037-8
CORCOM HZ SERIES SINGLE PHASE FILTERS



TE Part #104257-3
04 MTE RCPT HSG SR LATCH .100



TE Part #2308171-2
ZQSFP+ CAGE& CONN 2X2, EMI SPRING, BTB



TE Part #1-2176328-8
CRGP 1206 270R 1%



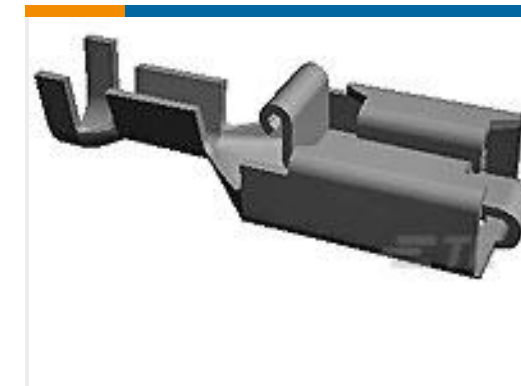
TE Part #1437719-8
T01-0500-S=INDUSTRIAL CONNECTO



TE Part #2-1735481-1
Free Height Receptacle Conn: Board-Board, Vertical, 40, 0.8mm



TE Part #2-520129-2
ULTRAFast 250 ASSY FLAG 22-18 TPBR LP



TE Part #927853-6
PL 250 REC TERMINAL 20-17 PTPB LP



TE Part #1-1649327-3
RT214012

Documents

Product Drawings

[10EHZ1=F8355](#)

English

Datasheets & Catalog Pages

[1654001_CORCOM_PRODUCT_GUIDE_HZ_SERIES](#)

English

[1654001_CORCOM_PRODUCT_GUIDE](#)

English



Corcom Combined Selector Charts

English