

3-1609090-9 ✓ ACTIVE

Corcom | Corcom WG

TE Internal #: 3-1609090-9

Corcom WG, Single Phase Filters, 16A Filter Current Rating, Threaded, .250" FASTON Input, RAST 5 Interface Output

[View on TE.com >](#)



EMI Filters > Power Line Filters > Single Phase Filters > CORCOM WG SERIES SINGLE PHASE FILTERS



Filter Current Rating: **16 A**

Filter Mount Style: **Threaded**

Filter Input Termination Type: **.250" FASTON**

Filter Output Termination Type: **RAST 5 Interface**

Leakage Current (Max) (120VAC, 60Hz): **.76 mA**

[All CORCOM WG SERIES SINGLE PHASE FILTERS \(14\)](#)

Features

Product Type Features

Ground Choke Option	No
Filter Type	Power Line
Filtering Requirements	Filtered
Filter Input Termination Type	.250" FASTON
Filter Output Termination Type	RAST 5 Interface

Electrical Characteristics

Voltage (Max)	250 VAC
Filter Current Rating	16 A
Leakage Current (Max) (120VAC, 60Hz)	.76 mA
Leakage Current (Max) (250VAC, 50Hz)	1.27 mA

Mechanical Attachment

Filter Mount Style	Threaded
--------------------	----------

Usage Conditions

Operating Temperature Range	-10 – 40 °C
-----------------------------	-------------

Product Compliance

[For compliance documentation, visit the product page on TE.com>](#)

EU RoHS Directive 2011/65/EU	Compliant
EU ELV Directive 2000/53/EC	Not Yet Reviewed
China RoHS 2 Directive MIIT Order No 32, 2016	No Restricted Materials Above Threshold
EU REACH Regulation (EC) No. 1907/2006	Current ECHA Candidate List: JAN 2021 (211) Candidate List Declared Against: JAN 2019 (197) SVHC > Threshold: Not Yet Reviewed
Halogen Content	Not Low Halogen - contains Br or Cl > 900 ppm.
Solder Process Capability	Not applicable for solder process capability

Product Compliance Disclaimer

This information is provided based on reasonable inquiry of our suppliers and represents our current actual knowledge based on the information they provided. This information is subject to change. The part numbers that TE has identified as EU RoHS compliant have a maximum concentration of 0.1% by weight in homogenous materials for lead, hexavalent chromium, mercury, PBB, PBDE, DBP, BBP, DEHP, DIBP, and 0.01% for cadmium, or qualify for an exemption to these limits as defined in the Annexes of Directive 2011/65/EU (RoHS2). Finished electrical and electronic equipment products will be CE marked as required by Directive 2011/65/EU. Components may not be CE marked. Additionally, the part numbers that TE has identified as EU ELV compliant have a maximum concentration of 0.1% by weight in homogenous materials for lead, hexavalent chromium, and mercury, and 0.01% for cadmium, or qualify for an exemption to these limits as defined in the Annexes of Directive 2000/53/EC (ELV). Regarding the REACH Regulation, the information TE provides on SVHC in articles for this part number is based on the latest European Chemicals Agency (ECHA) 'Guidance on requirements for substances in articles' posted at this URL: <https://echa.europa.eu/guidance-documents/guidance-on-reach>

Compatible Parts

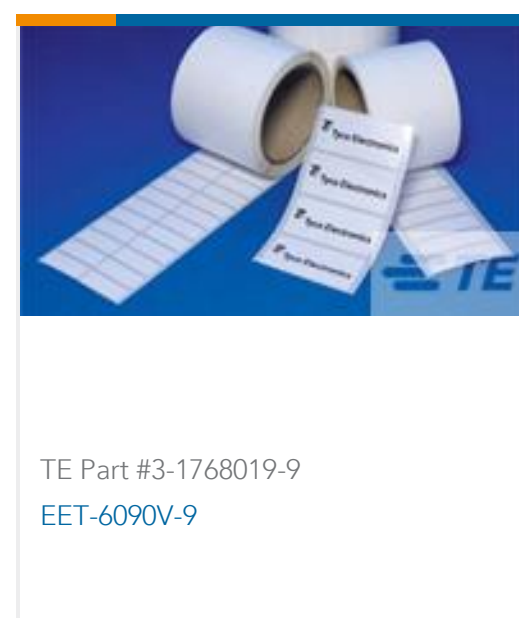
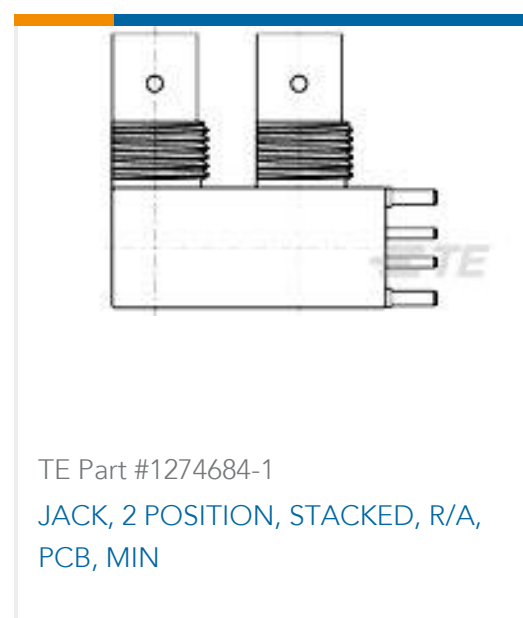


Also in the Series | Corcom WG



Single Phase Filters(14)

Customers Also Bought



Documents

Product Drawings

[16WGB7=F8270A](#)

English

CAD Files

[3D PDF](#)

3D

Customer View Model

[ENG_CVM_CVM_3-1609090-9_E.2d_dxf.zip](#)

English

Customer View Model

[ENG_CVM_CVM_3-1609090-9_E.3d_igs.zip](#)

English

Customer View Model

[ENG_CVM_CVM_3-1609090-9_E.3d_stp.zip](#)

English

By downloading the CAD file I accept and agree to the [Terms and Conditions](#) of use.



Datasheets & Catalog Pages

[1654001_CORCOM_PRODUCT_GUIDE_WG_SERIES](#)

English

[1654001_CORCOM_PRODUCT_GUIDE](#)

English

[1-1654250-1_CORCOM_EMI_RFI_QRG](#)

English

[8-1773448-3_CORCOM_WG_SERIES_WITH_RAST_CONNECTOR](#)

English

Corcom Combined Selector Charts

English