



Alcoswitch

TE Internal #: 4-1437622-3

Switch Knobs, Knob, Aluminum, Straight Knurl Knob Design, .125in [3.17mm] Shaft Size, .5in [12.7mm] Switch Knob Diameter, Natural, Line

[View on TE.com >](#)

Relays, Contactors & Switches > Switches > Switch Knobs



Switch Knob Product Type: **Knob**

Switch Knob Material: **Aluminum**

Knob Design: **Straight Knurl**

Shaft Size: **3.17 mm [.125 in]**

Switch Knob Diameter: **12.7 mm [.5 in]**

Features

Product Type Features

| | |
|--------------------------|------|
| Switch Knob Product Type | Knob |
|--------------------------|------|

Configuration Features

| | |
|-------------|----------------|
| Skirt | Without |
| Spinner | Without |
| Spin Plate | Without |
| Knob Design | Straight Knurl |

Body Features

| | |
|----------------------|----------|
| Switch Knob Material | Aluminum |
| Switch Knob Color | Natural |

Dimensions

| | |
|----------------------|------------------|
| Shaft Size | 3.17 mm[.125 in] |
| Switch Knob Diameter | 12.7 mm[.5 in] |

Identification Marking

| | |
|--------------------|------|
| Indicator Style | Line |
| Indicator Location | Side |

Product Compliance

[For compliance documentation, visit the product page on TE.com>](#)



| | |
|---|---|
| EU RoHS Directive 2011/65/EU | Not Compliant |
| EU ELV Directive 2000/53/EC | Not Compliant |
| China RoHS 2 Directive MIIT Order No 32, 2016 | Restricted Materials Above Threshold |
| EU REACH Regulation (EC) No. 1907/2006 | Current ECHA Candidate List: JAN 2021 (211) Candidate List Declared Against: JAN 2021 (211) Does not contain REACH SVHC |
| Halogen Content | Low Halogen - Br, Cl, F, I < 900 ppm per homogenous material. Also BFR/CFR/PVC Free |
| Solder Process Capability | Not applicable for solder process capability |

Product Compliance Disclaimer

This information is provided based on reasonable inquiry of our suppliers and represents our current actual knowledge based on the information they provided. This information is subject to change. The part numbers that TE has identified as EU RoHS compliant have a maximum concentration of 0.1% by weight in homogenous materials for lead, hexavalent chromium, mercury, PBB, PBDE, DBP, BBP, DEHP, DIBP, and 0.01% for cadmium, or qualify for an exemption to these limits as defined in the Annexes of Directive 2011/65/EU (RoHS2). Finished electrical and electronic equipment products will be CE marked as required by Directive 2011/65/EU. Components may not be CE marked. Additionally, the part numbers that TE has identified as EU ELV compliant have a maximum concentration of 0.1% by weight in homogenous materials for lead, hexavalent chromium, and mercury, and 0.01% for cadmium, or qualify for an exemption to these limits as defined in the Annexes of Directive 2000/53/EC (ELV). Regarding the REACH Regulation, the information TE provides on SVHC in articles for this part number is based on the latest European Chemicals Agency (ECHA) 'Guidance on requirements for substances in articles' posted at this URL: <https://echa.europa.eu/guidance-documents/guidance-on-reach>

Compatible Parts



TE Part # 4-1437622-6
KN500B1/4=KNOB BLACK KNURL 1/4

Customers Also Bought



TE Part #1757820-1
AMPLIMITE,ASY,RCPT,STD,109,ZN,1



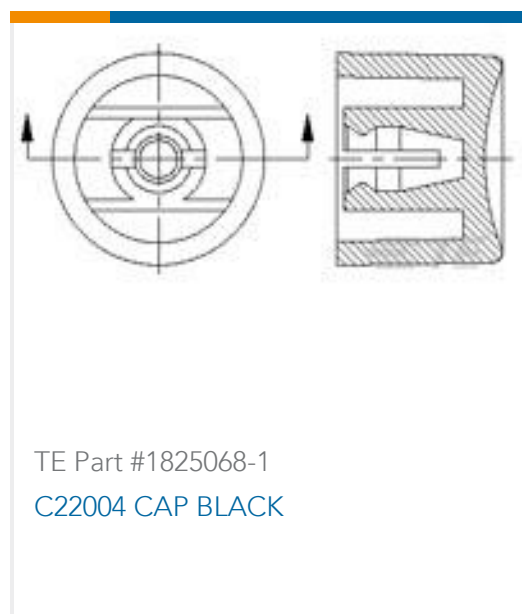
TE Part #1-770251-0
UMNLI SOK PTPPHBZ LP LF 20-14



TE Part #1757819-3
AMPLIMITE,ASY,PLUG,STD,109,ZN,3



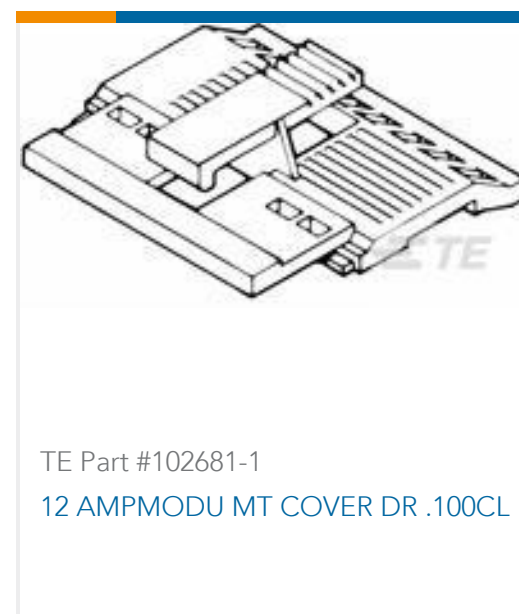
TE Part #102398-4
12 AMPMODU MT ASSY DR .100CL



TE Part #1825068-1
C22004 CAP BLACK



TE Part #102536-4
12 AMPMODU MT COVER DR .100CL



TE Part #102681-1
12 AMPMODU MT COVER DR .100CL



TE Part #1909782-5
BOARD TO WIRE WAFER 1.2MM TOP ENTRY



TE Part #1393105-3
KRPA-5DG-12=KRPA



TE Part #YCTJ112E01EC015000
MODULE ASSY

Documents

Product Drawings

[KN500A1/8=KNOB ALUM KNURL 1/8](#)

English

CAD Files

Customer View Model

[ENG_CVM_4-1437622-3_A.3d_igs.zip](#)

English

Customer View Model

[ENG_CVM_4-1437622-3_A.3d_stp.zip](#)

English

Customer View Model

[ENG_CVM_4-1437622-3_A.2d_dxf.zip](#)

English

3D PDF

English

By downloading the CAD file I accept and agree to the [Terms and Conditions](#) of use.

Datasheets & Catalog Pages

[Alcoswitch Products](#)

English