

4-1609037-1 ✓ ACTIVE

[Corcom](#) | [Corcom HQ](#)

TE Internal #: 4-1609037-1

Corcom HQ, Single Phase Filters, 20A Filter Current Rating, Bulkhead, Stud Input, Stud Output, Leakage Current (Max) (120VAC, 60Hz) .002 mA

[View on TE.com >](#)



[EMI Filters](#) > [Power Line Filters](#) > [Single Phase Filters](#) > [CORCOM HQ SERIES SINGLE PHASE FILTERS](#)



Filter Current Rating: **20 A**

Filter Mount Style: **Bulkhead**

Filter Input Termination Type: **Stud**

Filter Output Termination Type: **Stud**

Leakage Current (Max) (120VAC, 60Hz): **.002 mA**

[All CORCOM HQ SERIES SINGLE PHASE FILTERS \(11\)](#)

## Features

### Product Type Features

Ground Choke Option	No
Filter Type	Power Line
Filtering Requirements	Filtered
Filter Input Termination Type	Stud
Filter Output Termination Type	Stud

### Electrical Characteristics

Filter Current Rating	20 A
Leakage Current (Max) (120VAC, 60Hz)	.002 mA
Leakage Current (Max) (250VAC, 50Hz)	.005 mA

### Mechanical Attachment

Filter Mount Style	Bulkhead
--------------------	----------

### Usage Conditions

Operating Temperature Range	-10 – 40 °C
-----------------------------	-------------

## Product Compliance

[For compliance documentation, visit the product page on TE.com>](#)

EU RoHS Directive 2011/65/EU	Compliant
EU ELV Directive 2000/53/EC	Compliant
China RoHS 2 Directive MIIT Order No 32, 2016	No Restricted Materials Above Threshold
EU REACH Regulation (EC) No. 1907/2006	Current ECHA Candidate List: JAN 2021 (211) Candidate List Declared Against: JAN 2021 (211) Does not contain REACH SVHC
Halogen Content	Low Halogen - Br, Cl, F, I < 900 ppm per homogenous material. Also BFR/CFR/PVC Free
Solder Process Capability	Not applicable for solder process capability

#### Product Compliance Disclaimer

This information is provided based on reasonable inquiry of our suppliers and represents our current actual knowledge based on the information they provided. This information is subject to change. The part numbers that TE has identified as EU RoHS compliant have a maximum concentration of 0.1% by weight in homogenous materials for lead, hexavalent chromium, mercury, PBB, PBDE, DBP, BBP, DEHP, DIBP, and 0.01% for cadmium, or qualify for an exemption to these limits as defined in the Annexes of Directive 2011/65/EU (RoHS2). Finished electrical and electronic equipment products will be CE marked as required by Directive 2011/65/EU. Components may not be CE marked. Additionally, the part numbers that TE has identified as EU ELV compliant have a maximum concentration of 0.1% by weight in homogenous materials for lead, hexavalent chromium, and mercury, and 0.01% for cadmium, or qualify for an exemption to these limits as defined in the Annexes of Directive 2000/53/EC (ELV). Regarding the REACH Regulation, the information TE provides on SVHC in articles for this part number is based on the latest European Chemicals Agency (ECHA) 'Guidance on requirements for substances in articles' posted at this URL: <https://echa.europa.eu/guidance-documents/guidance-on-reach>

## Compatible Parts



Also in the Series | [Corcom HQ](#)



Single Phase Filters(11)

## Customers Also Bought



TE Part #0462-209-16141  
DEUTSCH SOLID CONTACTS



TE Part #1-2176369-1  
RQ 0603 51R1 0.1% 10PPM 5K RL



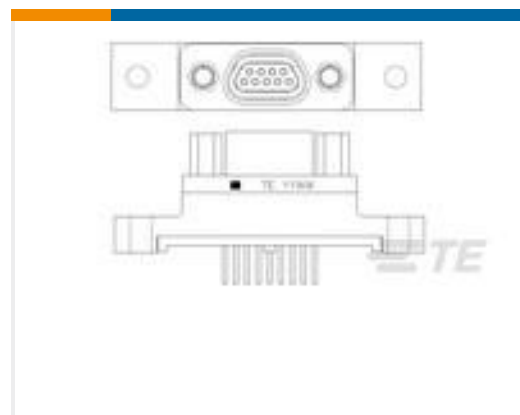
TE Part #114017-ZZ  
DEUTSCH SEALING PLUGS



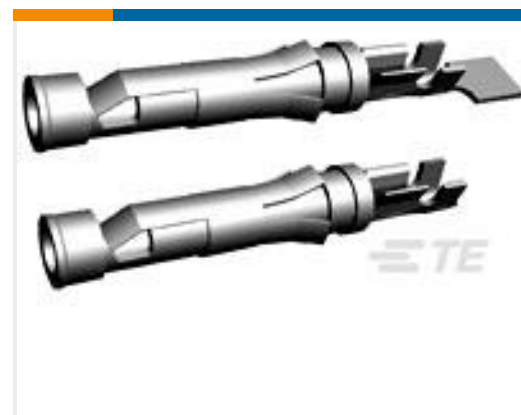
TE Part #YDTS26F09-35JNV001  
Straight Plug: D38999, 09-35 Insert,  
Electroless Nickel Plating



TE Part #1-480698-0  
02P UMNL PLUG HSG NATL



TE Part #1532274-4  
M83513/25-A01NP = MCKS-N1-P-  
9SST1



TE Part #2-66104-5  
III+ SKT,24-20,TIN-LEAD,STRIP

## Documents

### Product Drawings

[20EHQ6=F8372](#)

English

### CAD Files

[3D PDF](#)

3D

Customer View Model

[ENG\\_CVM\\_CVM\\_4-1609037-1\\_A.2d\\_dxf.zip](#)

English

Customer View Model

[ENG\\_CVM\\_CVM\\_4-1609037-1\\_A.3d\\_igs.zip](#)

English

Customer View Model

[ENG\\_CVM\\_CVM\\_4-1609037-1\\_A.3d\\_stp.zip](#)

English

By downloading the CAD file I accept and agree to the [Terms and Conditions](#) of use.



---

**Datasheets & Catalog Pages**

[1654001\\_CORCOM\\_PRODUCT\\_GUIDE](#)

English

[Corcom Combined Selector Charts](#)

English