

20EH6 ✓ ACTIVE

Corcom | Corcom H

TE Internal #: 4-1609037-3

Corcom H, Single Phase Filters, 20A Filter Current Rating, Bulkhead, Stud Input, Stud Output, Leakage Current (Max) (120VAC, 60Hz) .002 mA

[View on TE.com >](#)



EMI Filters > Power Line Filters > Single Phase Filters > CORCOM H SERIES SINGLE PHASE FILTERS



Filter Current Rating: **20 A**

Filter Mount Style: **Bulkhead**

Filter Input Termination Type: **Stud**

Filter Output Termination Type: **Stud**

Leakage Current (Max) (120VAC, 60Hz): **.002 mA**

[All CORCOM H SERIES SINGLE PHASE FILTERS \(15\)](#)

## Features

### Product Type Features

Ground Choke Option	No
Filter Type	Power Line
Filtering Requirements	Filtered
Filter Input Termination Type	Stud
Filter Output Termination Type	Stud

### Electrical Characteristics

Filter Current Rating	20 A
Leakage Current (Max) (120VAC, 60Hz)	.002 mA
Leakage Current (Max) (250VAC, 50Hz)	.005 mA

### Mechanical Attachment

Filter Mount Style	Bulkhead
--------------------	----------

### Usage Conditions

Operating Temperature Range	-10 – 40 °C
-----------------------------	-------------

## Product Compliance

[For compliance documentation, visit the product page on TE.com>](#)

EU RoHS Directive 2011/65/EU	Compliant
EU ELV Directive 2000/53/EC	Compliant
China RoHS 2 Directive MIIT Order No 32, 2016	No Restricted Materials Above Threshold
EU REACH Regulation (EC) No. 1907/2006	Current ECHA Candidate List: JAN 2021 (211) Candidate List Declared Against: JAN 2021 (211) Does not contain REACH SVHC
Halogen Content	Low Halogen - Br, Cl, F, I < 900 ppm per homogenous material. Also BFR/CFR/PVC Free
Solder Process Capability	Not applicable for solder process capability

#### Product Compliance Disclaimer

This information is provided based on reasonable inquiry of our suppliers and represents our current actual knowledge based on the information they provided. This information is subject to change. The part numbers that TE has identified as EU RoHS compliant have a maximum concentration of 0.1% by weight in homogenous materials for lead, hexavalent chromium, mercury, PBB, PBDE, DBP, BBP, DEHP, DIBP, and 0.01% for cadmium, or qualify for an exemption to these limits as defined in the Annexes of Directive 2011/65/EU (RoHS2). Finished electrical and electronic equipment products will be CE marked as required by Directive 2011/65/EU. Components may not be CE marked. Additionally, the part numbers that TE has identified as EU ELV compliant have a maximum concentration of 0.1% by weight in homogenous materials for lead, hexavalent chromium, and mercury, and 0.01% for cadmium, or qualify for an exemption to these limits as defined in the Annexes of Directive 2000/53/EC (ELV). Regarding the REACH Regulation, the information TE provides on SVHC in articles for this part number is based on the latest European Chemicals Agency (ECHA) 'Guidance on requirements for substances in articles' posted at this URL: <https://echa.europa.eu/guidance-documents/guidance-on-reach>

## Compatible Parts



## Also in the Series | Corcom H



Single Phase Filters(15)

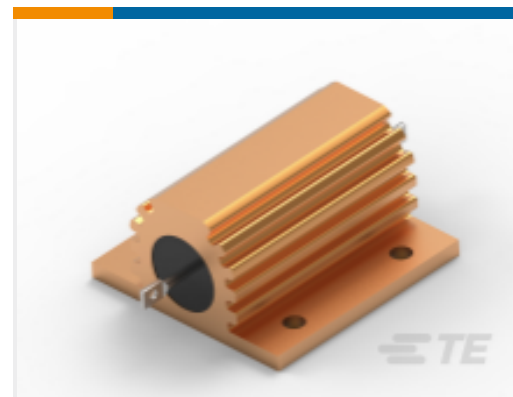
## Customers Also Bought



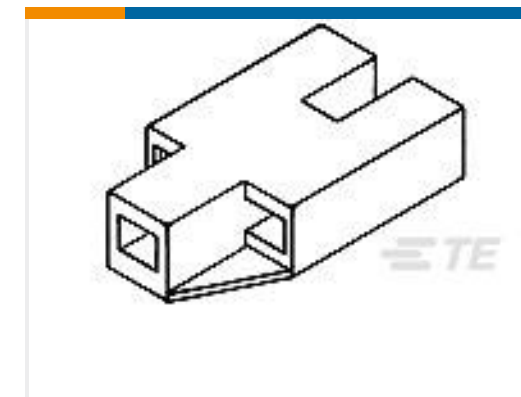
TE Part #2-1609114-7  
CORCOM CU SERIES IEC  
UNFILTERED INLETS



TE Part #4-1609037-2  
CORCOM HQ SERIES SINGLE PHASE  
FILTERS



TE Part #1-1630019-4  
Power Resistors: Aluminum Housed,  
HSA



TE Part #360050-1  
090 DIA CLSTR BLK



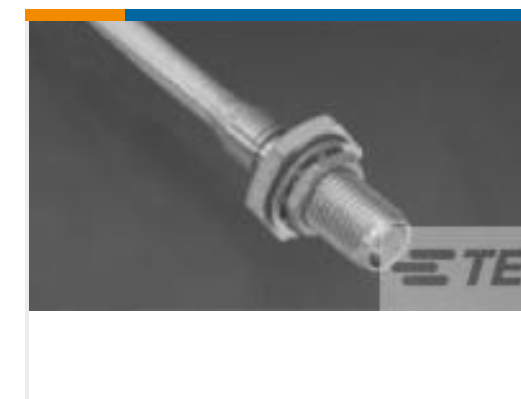
TE Part #1969357-1  
HSG .090 CLUSTER BLOCK 2 POS



TE Part #YDTS26F21-39SNV001  
Straight Plug: D38999, 21-39 Insert,  
Electroless Nickel Plating



TE Part #1742964-1  
2.29 DIA CLUSTER PIN AMPLV REC  
1600-4800



TE Part #1051996-1  
2034 8028 92



TE Part #1742981-1  
2.29 DIA CLUST PIN AMPLVR REC 400-  
1600



TE Part #2-1393248-2  
W33-S3B1Q-15=W33

## Documents

### Product Drawings

[20EH6=F8367](#)

English

### CAD Files

[3D PDF](#)

3D

### Customer View Model

[ENG\\_CVM\\_CVM\\_4-1609037-3\\_A.2d\\_dxf.zip](#)



English

**Customer View Model**

[ENG\\_CVM\\_CVM\\_4-1609037-3\\_A.3d\\_igs.zip](#)

English

**Customer View Model**

[ENG\\_CVM\\_CVM\\_4-1609037-3\\_A.3d\\_stp.zip](#)

English

By downloading the CAD file I accept and agree to the [Terms and Conditions](#) of use.

### Datasheets & Catalog Pages

[1654001\\_CORCOM\\_PRODUCT\\_GUIDE\\_H\\_SERIES](#)

English

[1654001\\_CORCOM\\_PRODUCT\\_GUIDE](#)

English

[Corcom Combined Selector Charts](#)

English