

4-1609090-1 ✓ ACTIVE

Corcom | Corcom WG

TE Internal #: 4-1609090-1

Corcom WG, Single Phase Filters, 16A Filter Current Rating, Threaded, .250" FASTON Input, RAST 5 Interface Output

[View on TE.com >](#)



EMI Filters > Power Line Filters > Single Phase Filters > CORCOM WG SERIES SINGLE PHASE FILTERS



Filter Current Rating: **16 A**

Filter Mount Style: **Threaded**

Filter Input Termination Type: **.250" FASTON**

Filter Output Termination Type: **RAST 5 Interface**

Leakage Current (Max) (120VAC, 60Hz): **.1 mA**

[All CORCOM WG SERIES SINGLE PHASE FILTERS \(14\)](#)

Features

Product Type Features

| | |
|--------------------------------|------------------|
| Ground Choke Option | No |
| Filter Type | Power Line |
| Filtering Requirements | Filtered |
| Filter Input Termination Type | .250" FASTON |
| Filter Output Termination Type | RAST 5 Interface |

Electrical Characteristics

| | |
|--------------------------------------|---------|
| Voltage (Max) | 250 VAC |
| Filter Current Rating | 16 A |
| Leakage Current (Max) (120VAC, 60Hz) | .1 mA |
| Leakage Current (Max) (250VAC, 50Hz) | .2 mA |

Mechanical Attachment

| | |
|--------------------|----------|
| Filter Mount Style | Threaded |
|--------------------|----------|

Usage Conditions

| | |
|-----------------------------|-------------|
| Operating Temperature Range | -10 – 40 °C |
|-----------------------------|-------------|

Product Compliance

[For compliance documentation, visit the product page on TE.com>](#)

| | |
|---|---|
| EU RoHS Directive 2011/65/EU | Compliant |
| EU ELV Directive 2000/53/EC | Compliant |
| China RoHS 2 Directive MIIT Order No 32, 2016 | No Restricted Materials Above Threshold |
| EU REACH Regulation (EC) No. 1907/2006 | Current ECHA Candidate List: JAN 2021 (211) Candidate List Declared Against: JAN 2021 (211) Does not contain REACH SVHC |
| Halogen Content | Low Halogen - Br, Cl, F, I < 900 ppm per homogenous material. Also BFR/CFR/PVC Free |
| Solder Process Capability | Not applicable for solder process capability |

Product Compliance Disclaimer

This information is provided based on reasonable inquiry of our suppliers and represents our current actual knowledge based on the information they provided. This information is subject to change. The part numbers that TE has identified as EU RoHS compliant have a maximum concentration of 0.1% by weight in homogenous materials for lead, hexavalent chromium, mercury, PBB, PBDE, DBP, BBP, DEHP, DIBP, and 0.01% for cadmium, or qualify for an exemption to these limits as defined in the Annexes of Directive 2011/65/EU (RoHS2). Finished electrical and electronic equipment products will be CE marked as required by Directive 2011/65/EU. Components may not be CE marked. Additionally, the part numbers that TE has identified as EU ELV compliant have a maximum concentration of 0.1% by weight in homogenous materials for lead, hexavalent chromium, and mercury, and 0.01% for cadmium, or qualify for an exemption to these limits as defined in the Annexes of Directive 2000/53/EC (ELV). Regarding the REACH Regulation, the information TE provides on SVHC in articles for this part number is based on the latest European Chemicals Agency (ECHA) 'Guidance on requirements for substances in articles' posted at this URL: <https://echa.europa.eu/guidance-documents/guidance-on-reach>

Compatible Parts

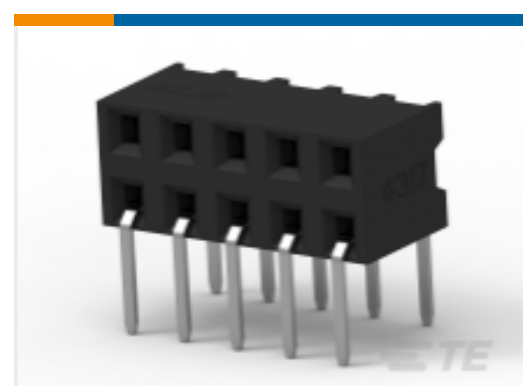
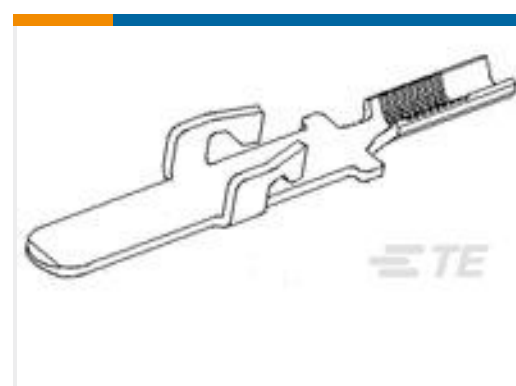


Also in the Series | Corcom WG



Single Phase Filters(14)

Customers Also Bought

TE Part #1-1623742-0
Wirewound Resistor: Axial Mount, 17
WattTE Part #1558665-6
PCB Power Relay: 30 amp, Monostable
DCTE Part #2329359-9
PB ON/OFF HC GRE M1 TERM IP68
500MM LHSTE Part #5-2176414-3
7W STD M/OX 5% 3K0TE Part #2-2176416-1
9W STD M/OX 5% 360RTE Part #1-2314916-0
10P, 2MM, B-B, REC, DRHZ, 2.1, 0.1AU, TBTE Part #1217072-1
CONT AMVAR 125 BLADE 020 TPBRTE Part #1879749-1
LED ENCODER 12MM HORIZ REDTE Part #1-2319848-6
END STACK DIP 6P J RECESS TUBE

Documents

Product Drawings

16WGD7=F8270C

English

CAD Files

3D PDF

3D

Customer View Model

ENG_CVM_CVM_4-1609090-1_E.2d_dxf.zip



English

Customer View Model

[ENG_CVM_CVM_4-1609090-1_E.3d_igs.zip](#)

English

Customer View Model

[ENG_CVM_CVM_4-1609090-1_E.3d_stp.zip](#)

English

By downloading the CAD file I accept and agree to the [Terms and Conditions](#) of use.

Datasheets & Catalog Pages

[1654001_CORCOM_PRODUCT_GUIDE_WG_SERIES](#)

English

[1654001_CORCOM_PRODUCT_GUIDE](#)

English

[1-1654250-1_CORCOM_EMI_RFI_QRG](#)

English

[8-1773448-3_CORCOM_WG_SERIES_WITH_RAST_CONNECTOR](#)

English

Corcom Combined Selector Charts

English