

6609047-3 ✓ ACTIVE

Corcom | Corcom T

TE Internal #: 6609047-3

Corcom T, Single Phase Filters, 15A Filter Current Rating, Flanged, .250" FASTON Input, .250" FASTON Output

[View on TE.com >](#)



EMI Filters > Power Line Filters > Single Phase Filters > CORCOM T SERIES SINGLE PHASE FILTERS



Filter Current Rating: 15 A

Filter Mount Style: **Flanged**

Filter Input Termination Type: .250" FASTON

Filter Output Termination Type: .250" FASTON

Leakage Current (Max) (120VAC, 60Hz): 1.2 mA

[All CORCOM T SERIES SINGLE PHASE FILTERS \(18\)](#)

Features

Product Type Features

Ground Choke Option	No
Filter Type	Power Line
Filtering Requirements	Filtered
Filter Input Termination Type	.250" FASTON
Filter Output Termination Type	.250" FASTON

Electrical Characteristics

Voltage (Max)	250 VAC
Filter Current Rating	15 A
Leakage Current (Max) (120VAC, 60Hz)	1.2 mA
Leakage Current (Max) (250VAC, 50Hz)	2 mA

Mechanical Attachment

Filter Mount Style	Flanged
--------------------	---------

Usage Conditions

Operating Temperature Range	-10 – 40 °C
-----------------------------	-------------

Product Compliance

[For compliance documentation, visit the product page on TE.com>](#)

EU RoHS Directive 2011/65/EU	Compliant
EU ELV Directive 2000/53/EC	Compliant
China RoHS 2 Directive MIIT Order No 32, 2016	No Restricted Materials Above Threshold
EU REACH Regulation (EC) No. 1907/2006	Current ECHA Candidate List: JAN 2021 (211) Candidate List Declared Against: JAN 2021 (211) Does not contain REACH SVHC
Halogen Content	Low Halogen - Br, Cl, F, I < 900 ppm per homogenous material. Also BFR/CFR/PVC Free
Solder Process Capability	Not applicable for solder process capability

Product Compliance Disclaimer

This information is provided based on reasonable inquiry of our suppliers and represents our current actual knowledge based on the information they provided. This information is subject to change. The part numbers that TE has identified as EU RoHS compliant have a maximum concentration of 0.1% by weight in homogenous materials for lead, hexavalent chromium, mercury, PBB, PBDE, DBP, BBP, DEHP, DIBP, and 0.01% for cadmium, or qualify for an exemption to these limits as defined in the Annexes of Directive 2011/65/EU (RoHS2). Finished electrical and electronic equipment products will be CE marked as required by Directive 2011/65/EU. Components may not be CE marked. Additionally, the part numbers that TE has identified as EU ELV compliant have a maximum concentration of 0.1% by weight in homogenous materials for lead, hexavalent chromium, and mercury, and 0.01% for cadmium, or qualify for an exemption to these limits as defined in the Annexes of Directive 2000/53/EC (ELV). Regarding the REACH Regulation, the information TE provides on SVHC in articles for this part number is based on the latest European Chemicals Agency (ECHA) 'Guidance on requirements for substances in articles' posted at this URL: <https://echa.europa.eu/guidance-documents/guidance-on-reach>

Compatible Parts

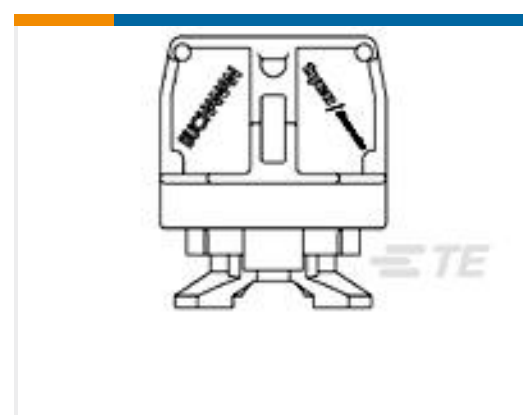


Also in the Series | Corcom T



Single Phase Filters(18)

Customers Also Bought

TE Part #1318111-1
DYNAMIC 2000 CONTACTTE Part #1-66358-9
TYPE III CONTACTS STRIP HIGH CURRENTTE Part #1116504-2
MJ,10MM,8P,NO SHIELD,SN TAILSTE Part #1393771-7
JWD-171-10=REED RELAYSTE Part #9-146278-0
40 MODII HDR SRST B/A .100CLTE Part #2-1879207-6
RN 0603 360R 0.1% 10PPM CUT LENGTHTE Part #1-1623782-9
Wirewound Resistor: Vertical MountTE Part #181953-1
250 FASTON, TAB, BRTE Part #1734101-6
Champ050 series,60pos,Au over PdNiTE Part #1546164-1
M.D. END SECTION, DOVETAIL BASE

Documents

Product Drawings

15VT1=F7334 S0

English

CAD Files

3D PDF

3D

Customer View Model

ENG_CVM_CVM_6609047-3_C.2d_dxf.zip



English

Customer View Model

[ENG_CVM_CVM_6609047-3_C.3d_igs.zip](#)

English

Customer View Model

[ENG_CVM_CVM_6609047-3_C.3d_stp.zip](#)

English

By downloading the CAD file I accept and agree to the [Terms and Conditions](#) of use.

Datasheets & Catalog Pages

[1654001_CORCOM_PRODUCT_GUIDE](#)

English

[1654001_CORCOM_PRODUCT_GUIDE_T_SERIES](#)

English

[1-1654250-1_CORCOM_EMI_RFI_QRG](#)

English

[Corcom Combined Selector Charts](#)

English