

3EHQ8M ✓ ACTIVE

[Corcom](#) | [Corcom HQ](#)

TE Internal #: 6609054-4

Corcom HQ, Single Phase Filters, 3A Filter Current Rating,
Bulkhead, IEC Input, Wire Lead Output, Leakage Current (Max)
(120VAC, 60Hz) .002 mA

[View on TE.com >](#)



[EMI Filters](#) > [Power Line Filters](#) > [Single Phase Filters](#) > [CORCOM HQ SERIES SINGLE PHASE FILTERS](#)



Filter Current Rating: **3 A**

Filter Mount Style: **Bulkhead**

Filter Input Termination Type: **IEC**

Filter Output Termination Type: **Wire Lead**

Leakage Current (Max) (120VAC, 60Hz): **.002 mA**

[All CORCOM HQ SERIES SINGLE PHASE FILTERS \(11\)](#)

Features

Product Type Features

Ground Choke Option	No
Filter Type	Power Line
Filtering Requirements	Filtered
Filter Input Termination Type	IEC
Filter Output Termination Type	Wire Lead

Electrical Characteristics

Voltage (Max)	250 VAC
Filter Current Rating	3 A
Leakage Current (Max) (120VAC, 60Hz)	.002 mA
Leakage Current (Max) (250VAC, 50Hz)	.005 mA

Mechanical Attachment

Filter Mount Style	Bulkhead
--------------------	----------

Usage Conditions

Operating Temperature Range	-10 – 40 °C
-----------------------------	-------------

Product Compliance

[For compliance documentation, visit the product page on TE.com>](#)



EU RoHS Directive 2011/65/EU	Compliant
EU ELV Directive 2000/53/EC	Compliant with Exemptions
China RoHS 2 Directive MIIT Order No 32, 2016	No Restricted Materials Above Threshold
EU REACH Regulation (EC) No. 1907/2006	Current ECHA Candidate List: JAN 2021 (211) Candidate List Declared Against: JUN 2020 (209) SVHC > Threshold: Not Yet Reviewed
Halogen Content	Low Halogen - Br, Cl, F, I < 900 ppm per homogenous material. Also BFR/CFR/PVC Free
Solder Process Capability	Not applicable for solder process capability

Product Compliance Disclaimer

This information is provided based on reasonable inquiry of our suppliers and represents our current actual knowledge based on the information they provided. This information is subject to change. The part numbers that TE has identified as EU RoHS compliant have a maximum concentration of 0.1% by weight in homogenous materials for lead, hexavalent chromium, mercury, PBB, PBDE, DBP, BBP, DEHP, DIBP, and 0.01% for cadmium, or qualify for an exemption to these limits as defined in the Annexes of Directive 2011/65/EU (RoHS2). Finished electrical and electronic equipment products will be CE marked as required by Directive 2011/65/EU. Components may not be CE marked. Additionally, the part numbers that TE has identified as EU ELV compliant have a maximum concentration of 0.1% by weight in homogenous materials for lead, hexavalent chromium, and mercury, and 0.01% for cadmium, or qualify for an exemption to these limits as defined in the Annexes of Directive 2000/53/EC (ELV). Regarding the REACH Regulation, the information TE provides on SVHC in articles for this part number is based on the latest European Chemicals Agency (ECHA) 'Guidance on requirements for substances in articles' posted at this URL: <https://echa.europa.eu/guidance-documents/guidance-on-reach>

Compatible Parts

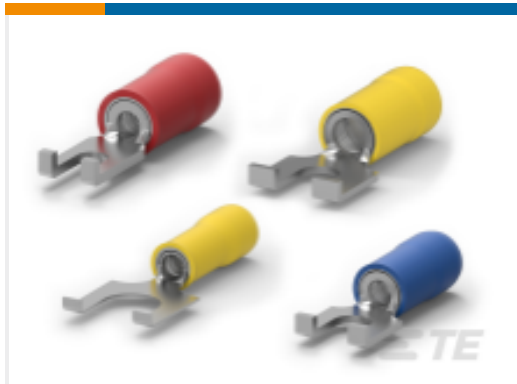


Also in the Series | **Corcom HQ**



Single Phase Filters(11)

Customers Also Bought



TE Part #2-324608-1
PIDG FLANGED SPADE TONGUE
TERMINALS



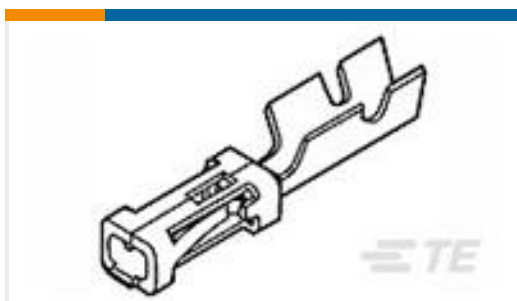
TE Part #2329359-2
PN OFF/ON HC RED M1 TERM IP68
500MM LHS



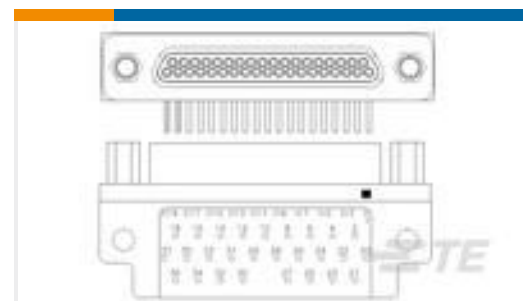
TE Part #6609054-3
CORCOM HQ SERIES SINGLE PHASE
FILTERS



TE Part #YDTS26G25-29PCV001
D38999: Straight Plug, 25-29 Insert



TE Part #102917-6
MOD IV RECP LP



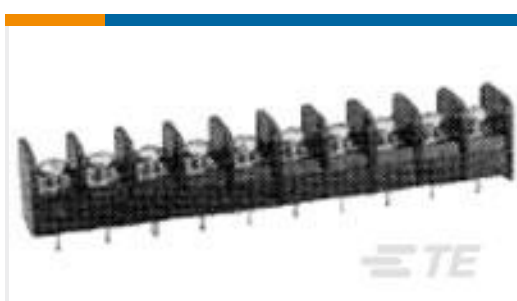
TE Part #1532255-2
M83513/10-F01CP = MCKS-C2-P-
37PRT1



TE Part #1803339-1
CRIMPER, INSULATION F



TE Part #5-683453-2
CRIMPER, INSULATION "F" (.055)



TE Part #2-1437416-2
SSB7FP060202=SSB STRIP 7/16 6



TE Part #7-1393099-9
KA-5DG-6=KA/KB/KC/KR

Documents

Product Drawings

[3EHQ8M=F7674 S0](#)

English

CAD Files

[3D PDF](#)

[3D](#)

[Customer View Model](#)

[ENG_CVM_CVM_6609054-4_O.2d_dxf.zip](#)



English

Customer View Model

[ENG_CVM_CVM_6609054-4_O.3d_igs.zip](#)

English

Customer View Model

[ENG_CVM_CVM_6609054-4_O.3d_stp.zip](#)

English

By downloading the CAD file I accept and agree to the [Terms and Conditions](#) of use.

Datasheets & Catalog Pages

[1654001_CORCOM_PRODUCT_GUIDE](#)

English

[1654001_CORCOM_PRODUCT_GUIDE_HQ_SERIES](#)

English

[1-1654250-1_CORCOM_EMI_RFI_QRG](#)

English

[Corcom Combined Selector Charts](#)

English