



EMI Filters > Power Line Filters > Single Phase Filters > CORCOM AQ SERIES SINGLE PHASE FILTERS



Filter Current Rating: **6 A**

Filter Mount Style: **Bulkhead**

Filter Input Termination Type: **IEC**

Filter Output Termination Type: **Wire Lead**

Leakage Current (Max) (120VAC, 60Hz): **.7 mA**

[All CORCOM AQ SERIES SINGLE PHASE FILTERS \(3\)](#)

Features

Product Type Features

Ground Choke Option	No
Filter Type	Power Line
Filtering Requirements	Filtered
Filter Input Termination Type	IEC
Filter Output Termination Type	Wire Lead

Electrical Characteristics

Voltage (Max)	250 VAC
Filter Current Rating	6 A
Leakage Current (Max) (120VAC, 60Hz)	.7 mA
Leakage Current (Max) (250VAC, 50Hz)	1.2 mA

Mechanical Attachment

Filter Mount Style	Bulkhead
--------------------	----------

Usage Conditions

Operating Temperature Range	-10 – 40 °C
-----------------------------	-------------

Product Compliance

[For compliance documentation, visit the product page on TE.com>](#)



EU RoHS Directive 2011/65/EU	Compliant with Exemptions
EU ELV Directive 2000/53/EC	Compliant with Exemptions
China RoHS 2 Directive MIIT Order No 32, 2016	Restricted Materials Above Threshold
EU REACH Regulation (EC) No. 1907/2006	Current ECHA Candidate List: JAN 2021 (211) Candidate List Declared Against: JUL 2019 (201) SVHC > Threshold: Not Yet Reviewed
Halogen Content	Not Low Halogen - contains Br or Cl > 900 ppm.
Solder Process Capability	Not applicable for solder process capability

Product Compliance Disclaimer

This information is provided based on reasonable inquiry of our suppliers and represents our current actual knowledge based on the information they provided. This information is subject to change. The part numbers that TE has identified as EU RoHS compliant have a maximum concentration of 0.1% by weight in homogenous materials for lead, hexavalent chromium, mercury, PBB, PBDE, DBP, BBP, DEHP, DIBP, and 0.01% for cadmium, or qualify for an exemption to these limits as defined in the Annexes of Directive 2011/65/EU (RoHS2). Finished electrical and electronic equipment products will be CE marked as required by Directive 2011/65/EU. Components may not be CE marked. Additionally, the part numbers that TE has identified as EU ELV compliant have a maximum concentration of 0.1% by weight in homogenous materials for lead, hexavalent chromium, and mercury, and 0.01% for cadmium, or qualify for an exemption to these limits as defined in the Annexes of Directive 2000/53/EC (ELV). Regarding the REACH Regulation, the information TE provides on SVHC in articles for this part number is based on the latest European Chemicals Agency (ECHA) 'Guidance on requirements for substances in articles' posted at this URL: <https://echa.europa.eu/guidance-documents/guidance-on-reach>

Compatible Parts



TE Part # CAT-C8114-N1
CORCOM N SERIES SINGLE PHASE FILTERS



TE Part # CAT-C8114-G1
CORCOM G SERIES SINGLE PHASE FILTERS



TE Part # CAT-C8114-F299B
CORCOM FC SERIES SINGLE PHASE FILTERS



TE Part # 6609057-1
3VAQ3 CSA D0=F7554A



TE Part # CAT-C8114-AQ1
CORCOM AQ SERIES SINGLE PHASE FILTERS

Also in the Series | Corcom AQ

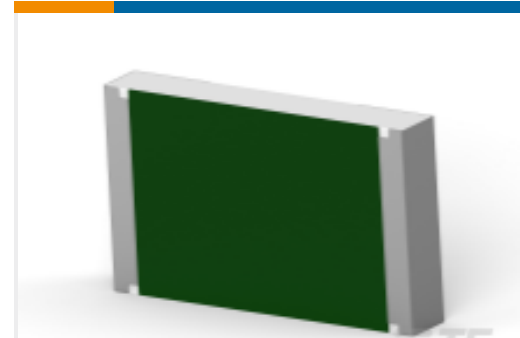


Single Phase Filters(3)

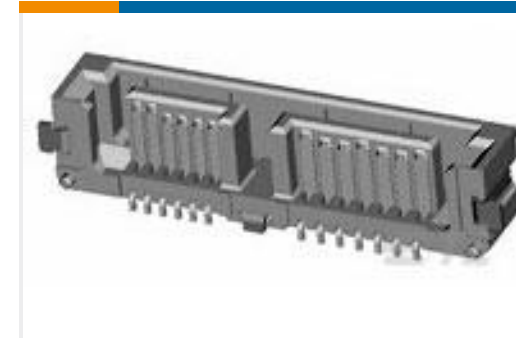
Customers Also Bought



TE Part #1996705-4
8 Pos RF Mod, Daughter Card, SMPM,
VITA67.2



TE Part #3-2176401-7
3540 430K 1%



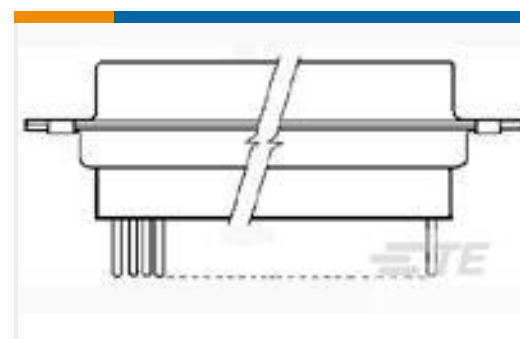
TE Part #1735574-2
Assembly Slimline SATA Plug Vertical,
TH



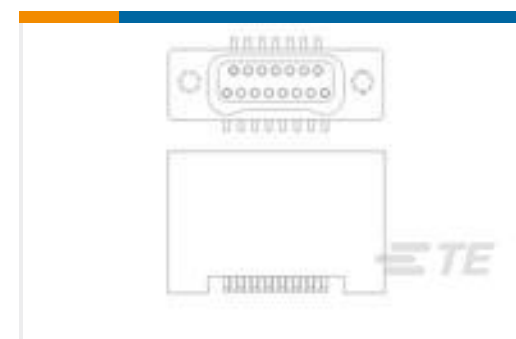
TE Part #YDTS26Z15-15SAV001
D38999: Straight Plug, 15-15 Insert
TH



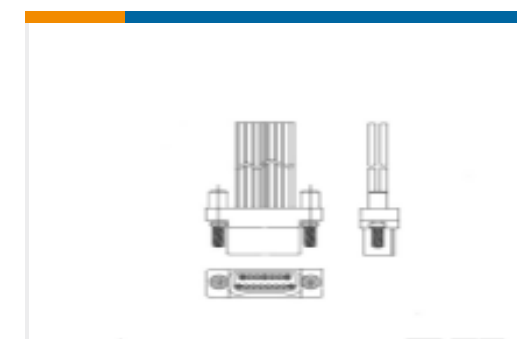
TE Part #2266769-1
OCEAN_2.0_APPLICATOR-S-098F



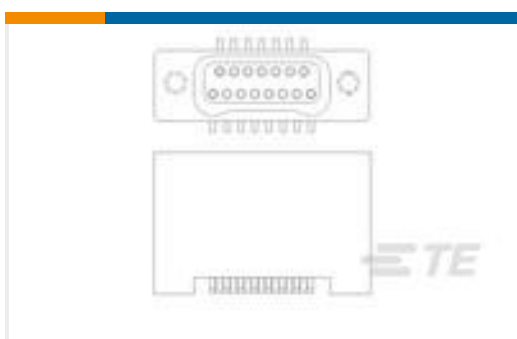
TE Part #5-208872-1
RECEPT ASSY, 15 POSN, AMPLIMITE



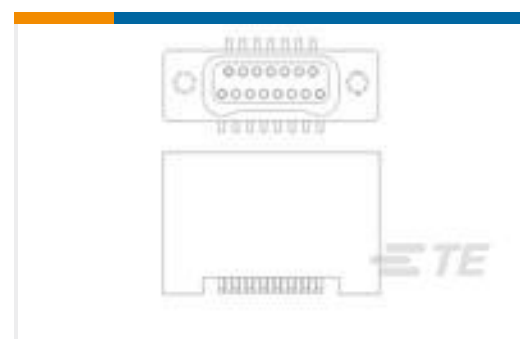
TE Part #1-1589486-3
STM015L82IQ = SMT CONN



TE Part #4-1589473-5
STM015PC2DC030N = WDUALOBE



TE Part #1-1589486-5
STM051L82IQ = SMT CONN



TE Part #1-1589486-4
STM065L82IQ = SMT CONN

Documents

Datasheets & Catalog Pages

[1654001_CORCOM_PRODUCT_GUIDE](#)

English

[1654001_Corcom_Product_Guide_AQ_Series](#)

English

[1-1654250-1_CORCOM_EMI_RFI_QRG](#)

6VAQ8FS

Corcom AQ, Single Phase Filters, 6A Filter Current Rating, Bulkhead, IEC Input, Wire Lead Output, Leakage Current (Max) (120VAC, 60Hz) .7 mA



English

[Corcom Combined Selector Charts](#)

English