



[Alcoswitch](#) | [Alcoswitch KFS](#)

TE Internal #: 8-1437621-6

Alcoswitch KFS, Switch Knobs, Knob, Aluminum, Straight Knurl
 Knob Design, .125in [3.17mm] Shaft Size, .38in [9.65mm] Switch
 Knob Diameter, Black Matte

[View on TE.com >](#)

Relays, Contactors & Switches > Switches > Switch Knobs



Switch Knob Product Type: **Knob**

Switch Knob Material: **Aluminum**

Knob Design: **Straight Knurl**

Shaft Size: **3.17 mm [.125 in]**

Switch Knob Diameter: **9.65 mm [.38 in]**

Features

Product Type Features

Switch Knob Product Type	Knob
--------------------------	------

Configuration Features

Skirt	With
Spinner	Without
Spin Plate	Without
Knob Design	Straight Knurl

Body Features

Switch Knob Material	Aluminum
Switch Knob Color	Black Matte

Dimensions

Shaft Size	3.17 mm[.125 in]
Switch Knob Diameter	9.65 mm[.38 in]

Identification Marking

Indicator Style	Line
Indicator Location	On Skirt

Product Compliance

[For compliance documentation, visit the product page on TE.com>](#)



EU RoHS Directive 2011/65/EU	Compliant
EU ELV Directive 2000/53/EC	Compliant
China RoHS 2 Directive MIIT Order No 32, 2016	No Restricted Materials Above Threshold
EU REACH Regulation (EC) No. 1907/2006	Current ECHA Candidate List: JAN 2021 (211) Candidate List Declared Against: JAN 2021 (211) Does not contain REACH SVHC
Halogen Content	Low Halogen - Br, Cl, F, I < 900 ppm per homogenous material. Also BFR/CFR/PVC Free
Solder Process Capability	Not applicable for solder process capability

Product Compliance Disclaimer

This information is provided based on reasonable inquiry of our suppliers and represents our current actual knowledge based on the information they provided. This information is subject to change. The part numbers that TE has identified as EU RoHS compliant have a maximum concentration of 0.1% by weight in homogenous materials for lead, hexavalent chromium, mercury, PBB, PBDE, DBP, BBP, DEHP, DIBP, and 0.01% for cadmium, or qualify for an exemption to these limits as defined in the Annexes of Directive 2011/65/EU (RoHS2). Finished electrical and electronic equipment products will be CE marked as required by Directive 2011/65/EU. Components may not be CE marked. Additionally, the part numbers that TE has identified as EU ELV compliant have a maximum concentration of 0.1% by weight in homogenous materials for lead, hexavalent chromium, and mercury, and 0.01% for cadmium, or qualify for an exemption to these limits as defined in the Annexes of Directive 2000/53/EC (ELV). Regarding the REACH Regulation, the information TE provides on SVHC in articles for this part number is based on the latest European Chemicals Agency (ECHA) 'Guidance on requirements for substances in articles' posted at this URL: <https://echa.europa.eu/guidance-documents/guidance-on-reach>

Compatible Parts

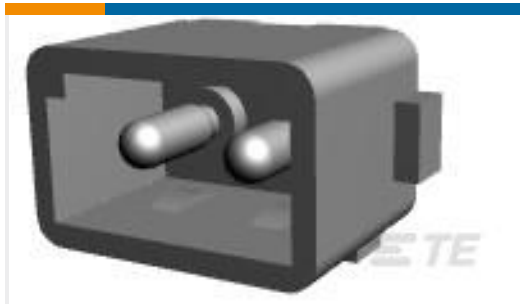


Also in the Series | **Alcoswitch KFS**



Switch Knobs(3)

Customers Also Bought



TE Part #1586512-2
02P CMNL HDR ASSY PC NATL LF



TE Part #148375-1
EURO, TYPE M CONTACT, FEMALE



TE Part #1757820-2
AMPLIMITE,ASY,RCPT,STD,109,ZN,2



TE Part #1977740-2
MPS103FPC PSHBTN SPDT MMNTRY



TE Part #103958-5
4X6 MTE RCPT SR LATCH .100CL



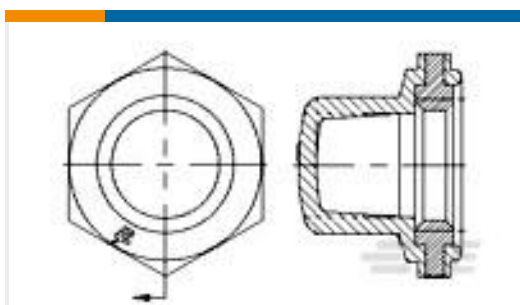
TE Part #2-1437623-1
KU401B1/8=KNOB BLACK W /DIAMOND



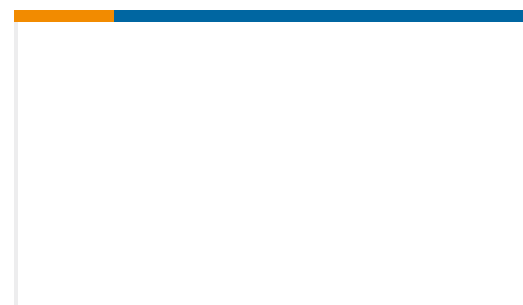
TE Part #2-1617146-9
JMGACDD-26M = M39016/19-036M



TE Part #NB17932001
RNF-100-1-1/2-BK-STK



TE Part #1825604-1
BPA1440004=Boot,Pushbutton



TE Part #1825068-7
C22904 CAP WHITE .39 DIA.

Documents

Product Drawings

[KFS400B1/8=KNOB ALUM BLACK ANO](#)

English

CAD Files

[3D PDF](#)

[3D](#)

Customer View Model

[ENG_CVM_8-1437621-6_A.3d_igs.zip](#)



English

Customer View Model

[ENG_CVM_8-1437621-6_A.3d_stp.zip](#)

English

Customer View Model

[ENG_CVM_8-1437621-6_A.2d_dxf.zip](#)

English

By downloading the CAD file I accept and agree to the [Terms and Conditions](#) of use.

Datasheets & Catalog Pages

[SWITCHES_CORE_PROGRAM_CATALOG](#)

English