



Relays, Contactors & Switches > Switches > Hardware & Seals



Switch Boot Accessory Type: **Guard**

Switch Boot & Accessory For Use With: **C12 Cap, C22 Cap**

Style: **Round**

Switch Boot & Accessory Color: **Clear Aluminum**

## Features

### Product Type Features

Product Type	Accessory
Illuminated	No
Switch Boot Accessory Type	Guard
Style	Round

### Configuration Features

Tactile	No
---------	----

### Body Features

Finish	Plain
Guard Color	Clear Aluminum
Guard Finish	Plain
Switch Boot & Accessory Color	Clear Aluminum

### Mechanical Attachment

Screw & Hole Thread Size	1/4 – 40 UNS-2B
--------------------------	-----------------

### Housing Features

Process Sealed	No
----------------	----

### Dimensions

Cap Height	8 mm [.315 in]
	.531 in

### Operation/Application



Switch Boot & Accessory For Use With	C12 Cap, C22 Cap
--------------------------------------	------------------

**Packaging Features**

Packaging Method	Loose Piece
------------------	-------------

**Product Compliance**

[For compliance documentation, visit the product page on TE.com>](#)

EU RoHS Directive 2011/65/EU	Compliant
EU ELV Directive 2000/53/EC	Compliant
China RoHS 2 Directive MIIT Order No 32, 2016	No Restricted Materials Above Threshold
EU REACH Regulation (EC) No. 1907/2006	Current ECHA Candidate List: JAN 2021 (211) Candidate List Declared Against: JAN 2021 (211) Does not contain REACH SVHC
Halogen Content	Low Halogen - Br, Cl, F, I < 900 ppm per homogenous material. Also BFR/CFR/PVC Free
Solder Process Capability	Not applicable for solder process capability

Product Compliance Disclaimer

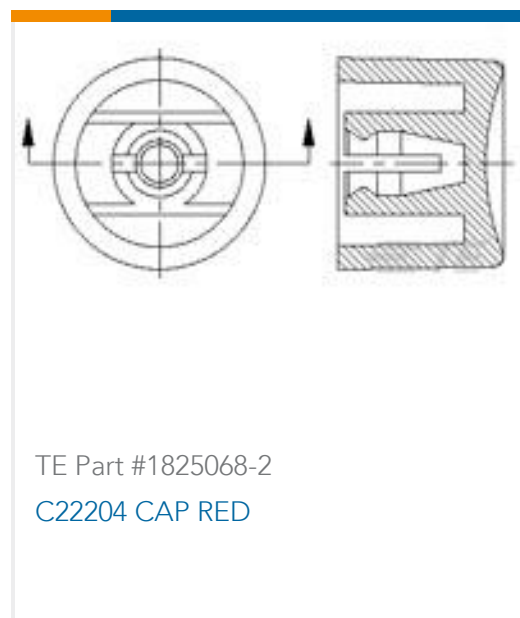
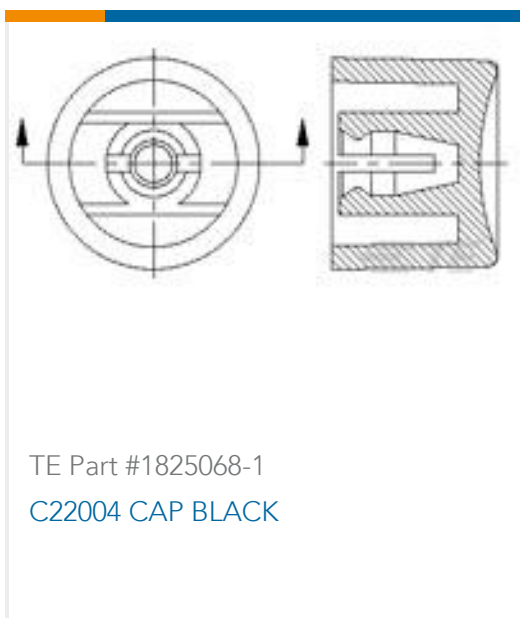
This information is provided based on reasonable inquiry of our suppliers and represents our current actual knowledge based on the information they provided. This information is subject to change. The part numbers that TE has identified as EU RoHS compliant have a maximum concentration of 0.1% by weight in homogenous materials for lead, hexavalent chromium, mercury, PBB, PBDE, DBP, BBP, DEHP, DIBP, and 0.01% for cadmium, or qualify for an exemption to these limits as defined in the Annexes of Directive 2011/65/EU (RoHS2). Finished electrical and electronic equipment products will be CE marked as required by Directive 2011/65/EU. Components may not be CE marked. Additionally, the part numbers that TE has identified as EU ELV compliant have a maximum concentration of 0.1% by weight in homogenous materials for lead, hexavalent chromium, and mercury, and 0.01% for cadmium, or qualify for an exemption to these limits as defined in the Annexes of Directive 2000/53/EC (ELV). Regarding the REACH Regulation, the information TE provides on SVHC in articles for this part number is based on the latest European Chemicals Agency (ECHA) 'Guidance on requirements for substances in articles' posted at this URL: <https://echa.europa.eu/guidance-documents/guidance-on-reach>

**Compatible Parts**

 <p>TE Part # 8-1437627-5 G12KB=BUTTON GUARD KNURL BLACK</p>	 <p>TE Part # 8-1437627-6 G12KC=BUTTON GUARD KNURL CHROM</p>	 <p>TE Part # 8-1437627-7 G13A=BUTTON GUARD ALUM</p>	 <p>TE Part # 8-1437627-9 G13C=BUTTON GUARD CHROME</p>
---	---	---	---



## Customers Also Bought



## Documents

### Product Drawings

G12A=BUTTON GUARD ALUM

English

### CAD Files

3D PDF

3D

Customer View Model

ENG\_CVM\_CVM\_8-1437627-1\_A.2d\_dxf.zip



English

Customer View Model

[ENG\\_CVM\\_CVM\\_8-1437627-1\\_A.3d\\_igs.zip](#)

English

Customer View Model

[ENG\\_CVM\\_CVM\\_8-1437627-1\\_A.3d\\_stp.zip](#)

English

By downloading the CAD file I accept and agree to the [Terms and Conditions](#) of use.

**Datasheets & Catalog Pages**

[SWITCHES\\_CORE\\_PROGRAM\\_CATALOG](#)

English