

2FB3 ✓ ACTIVE

Corcom | Corcom FB

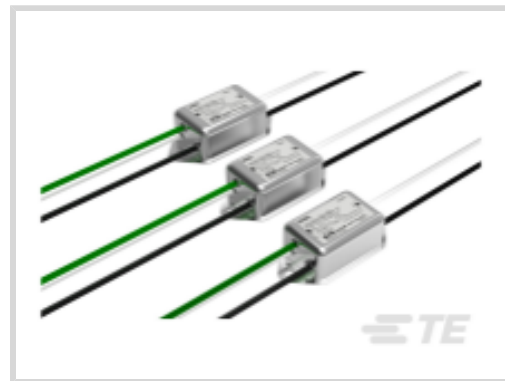
TE Internal #: 8-1609095-9

Corcom FB, Single Phase Filters, 2A Filter Current Rating, Mounting Holes, Wire Lead Input, Wire Lead Output

[View on TE.com >](#)



[EMI Filters](#) > [Power Line Filters](#) > [Single Phase Filters](#) > CORCOM FB SERIES SINGLE PHASE FILTERS



Filter Current Rating: **2 A**

Filter Mount Style: **Mounting Holes**

Filter Input Termination Type: **Wire Lead**

Filter Output Termination Type: **Wire Lead**

Leakage Current (Max) (120VAC, 60Hz): **.12 mA**

[All CORCOM FB SERIES SINGLE PHASE FILTERS \(9\)](#)

Features

Product Type Features

Ground Choke Option	No
Filter Performance Level	General Purpose
Filter Type	Power Line
Filtering Requirements	Filtered
Filter Input Termination Type	Wire Lead
Filter Output Termination Type	Wire Lead

Electrical Characteristics

Voltage (Max)	277 VAC
Filter Current Rating	2 A
Leakage Current (Max) (120VAC, 60Hz)	.12 mA
Leakage Current (Max) (250VAC, 50Hz)	.21 mA

Mechanical Attachment

Filter Mount Style	Mounting Holes
--------------------	----------------

Usage Conditions

Operating Temperature Range	-10 – 50 °C
-----------------------------	-------------

Product Compliance

[For compliance documentation, visit the product page on TE.com>](#)

EU RoHS Directive 2011/65/EU	Compliant
EU ELV Directive 2000/53/EC	Compliant
China RoHS 2 Directive MIIT Order No 32, 2016	No Restricted Materials Above Threshold
EU REACH Regulation (EC) No. 1907/2006	Current ECHA Candidate List: JAN 2021 (211) Candidate List Declared Against: JAN 2021 (211) Does not contain REACH SVHC
Halogen Content	Not Low Halogen - contains Br or Cl > 900 ppm.
Solder Process Capability	Not applicable for solder process capability

Product Compliance Disclaimer

This information is provided based on reasonable inquiry of our suppliers and represents our current actual knowledge based on the information they provided. This information is subject to change. The part numbers that TE has identified as EU RoHS compliant have a maximum concentration of 0.1% by weight in homogenous materials for lead, hexavalent chromium, mercury, PBB, PBDE, DBP, BBP, DEHP, DIBP, and 0.01% for cadmium, or qualify for an exemption to these limits as defined in the Annexes of Directive 2011/65/EU (RoHS2). Finished electrical and electronic equipment products will be CE marked as required by Directive 2011/65/EU. Components may not be CE marked. Additionally, the part numbers that TE has identified as EU ELV compliant have a maximum concentration of 0.1% by weight in homogenous materials for lead, hexavalent chromium, and mercury, and 0.01% for cadmium, or qualify for an exemption to these limits as defined in the Annexes of Directive 2000/53/EC (ELV). Regarding the REACH Regulation, the information TE provides on SVHC in articles for this part number is based on the latest European Chemicals Agency (ECHA) 'Guidance on requirements for substances in articles' posted at this URL: <https://echa.europa.eu/guidance-documents/guidance-on-reach>

Compatible Parts



Also in the Series | [Corcom FB](#)



Single Phase Filters(9)

Customers Also Bought



TE Part #1-2834049-4
LIGHT-N-LOK MODULAR LATCHED
RECEPTACLES



TE Part #181948-2
250 FASTON,TAB,TPBR



TE Part #1445048-2
PANEL MT SNGL ROW HSG 2 POS



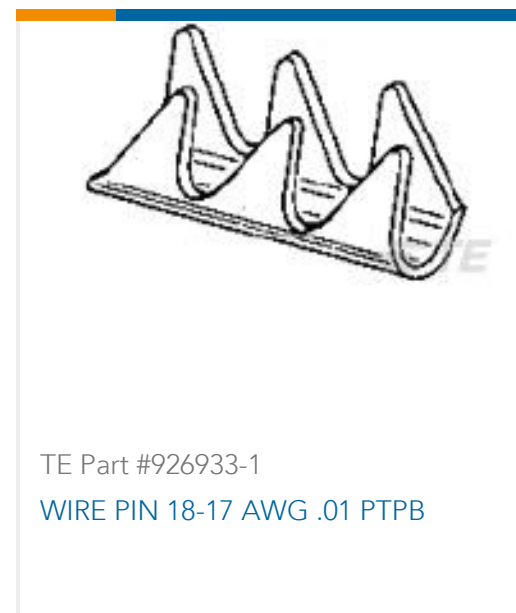
TE Part #1734100-8
Champ050 series,80pos,Au over PdNi



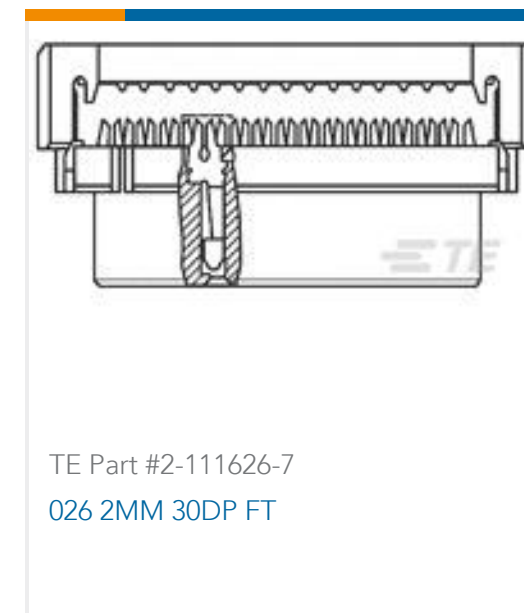
TE Part #2008571-2
2 POS MICRO MNL, TOP LATCH, BL



TE Part #2029076-2
2P MICRO MNL 1R RA HDR ASY NAT



TE Part #926933-1
WIRE PIN 18-17 AWG .01 PTPB



TE Part #2-111626-7
026 2MM 30DP FT



TE Part #1-2213362-4
RCPT ASSY,DIMMABLE
PHOTOCONTROL,105C,3/4



TE Part #1-1437685-3
2TK2-48=SNAP TRACK PVC CHANNEL

Documents

Product Drawings

[2FB3=F8361](#)

English

CAD Files

[3D PDF](#)

3D

[Customer View Model](#)

[ENG_CVM_CVM_8-1609095-9_B.2d_dxf.zip](#)



English

Customer View Model

[ENG_CVM_CVM_8-1609095-9_B.3d_igs.zip](#)

English

Customer View Model

[ENG_CVM_CVM_8-1609095-9_B.3d_stp.zip](#)

English

By downloading the CAD file I accept and agree to the [Terms and Conditions](#) of use.

Datasheets & Catalog Pages

[1654001_CORCOM_PRODUCT_GUIDE](#)

English

[3-1773462-6_CORCOM_FB_SERIES_DATASHEET](#)

English

[Corcom Combined Selector Charts](#)

English