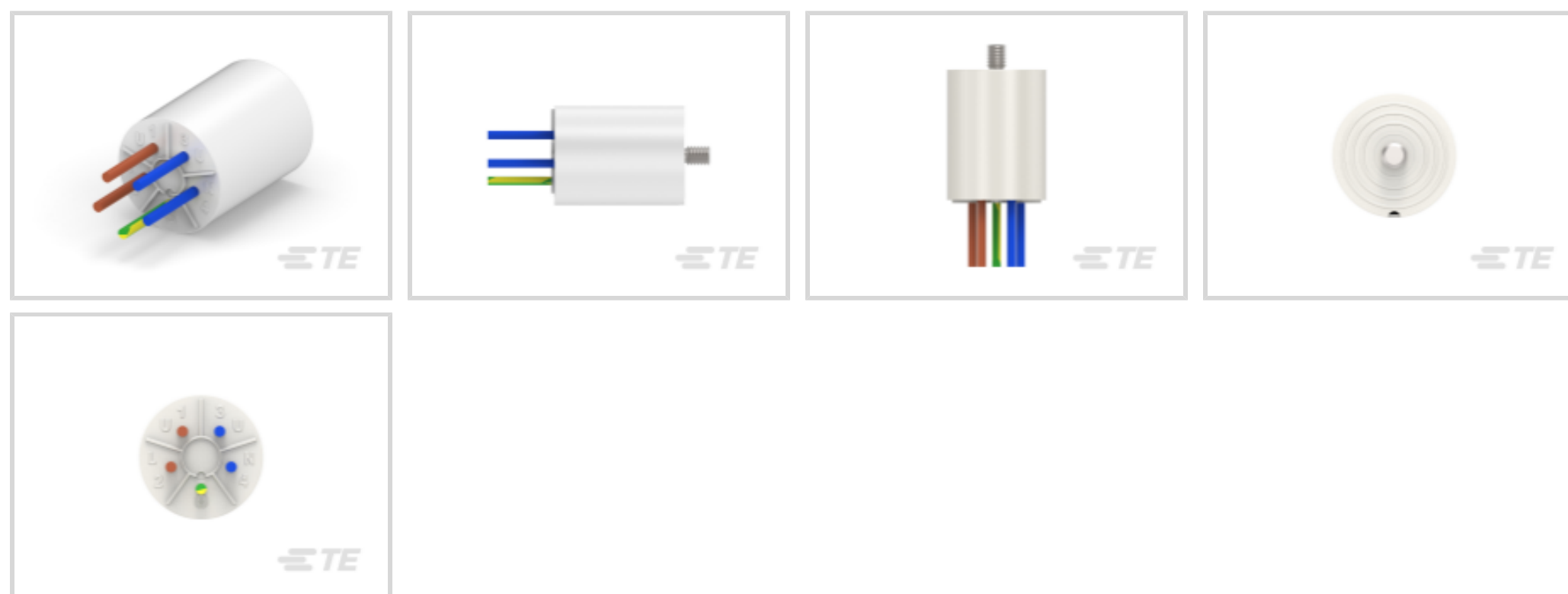


TE Internal #: 8-6609089-0

Single Phase Filters, 16A Filter Current Rating, Bulkhead, Wire Lead Input, Wire Lead Output, Leakage Current (Max) (120VAC, 60Hz) .1 mA

[View on TE.com >](#)

EMI Filters &gt; Power Line Filters &gt; Single Phase Filters

Filter Current Rating: **16 A**Filter Mount Style: **Bulkhead**Filter Input Termination Type: **Wire Lead**Filter Output Termination Type: **Wire Lead**Leakage Current (Max) (120VAC, 60Hz): **.1 mA**

## Features

### Product Type Features

Ground Choke Option	No
Filter Type	Power Line
Filtering Requirements	Filtered
Filter Input Termination Type	Wire Lead
Filter Output Termination Type	Wire Lead

### Electrical Characteristics

Voltage (Max)	250 VAC
Filter Current Rating	16 A
Leakage Current (Max) (120VAC, 60Hz)	.1 mA
Leakage Current (Max) (250VAC, 50Hz)	.2 mA

### Mechanical Attachment

Filter Mount Style	Bulkhead
--------------------	----------

### Usage Conditions

Operating Temperature Range	-10 – 40 °C
-----------------------------	-------------



## Product Compliance

[For compliance documentation, visit the product page on TE.com>](#)

EU RoHS Directive 2011/65/EU	Compliant
EU ELV Directive 2000/53/EC	Compliant
China RoHS 2 Directive MIIT Order No 32, 2016	No Restricted Materials Above Threshold
EU REACH Regulation (EC) No. 1907/2006	Current ECHA Candidate List: JAN 2021 (211) Candidate List Declared Against: JAN 2021 (211) Does not contain REACH SVHC
Halogen Content	Low Halogen - Br, Cl, F, I < 900 ppm per homogenous material. Also BFR/CFR/PVC Free
Solder Process Capability	Not applicable for solder process capability

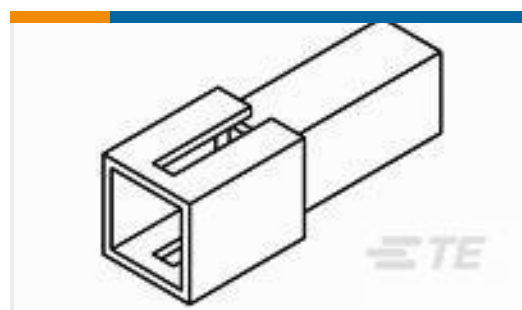
### Product Compliance Disclaimer

This information is provided based on reasonable inquiry of our suppliers and represents our current actual knowledge based on the information they provided. This information is subject to change. The part numbers that TE has identified as EU RoHS compliant have a maximum concentration of 0.1% by weight in homogenous materials for lead, hexavalent chromium, mercury, PBB, PBDE, DBP, BBP, DEHP, DIBP, and 0.01% for cadmium, or qualify for an exemption to these limits as defined in the Annexes of Directive 2011/65/EU (RoHS2). Finished electrical and electronic equipment products will be CE marked as required by Directive 2011/65/EU. Components may not be CE marked. Additionally, the part numbers that TE has identified as EU ELV compliant have a maximum concentration of 0.1% by weight in homogenous materials for lead, hexavalent chromium, and mercury, and 0.01% for cadmium, or qualify for an exemption to these limits as defined in the Annexes of Directive 2000/53/EC (ELV). Regarding the REACH Regulation, the information TE provides on SVHC in articles for this part number is based on the latest European Chemicals Agency (ECHA) 'Guidance on requirements for substances in articles' posted at this URL: <https://echa.europa.eu/guidance-documents/guidance-on-reach>

## Compatible Parts



## Customers Also Bought



TE Part #626063  
1 WAY FASTIN-ON 110 HSG TAB NAT NYLON



TE Part #2344657-2  
FPC ANTENNA, CABLE, MHF, Wi-Fi TRIPLE



TE Part #6-1393116-8  
KUMP-11A58-24=KU



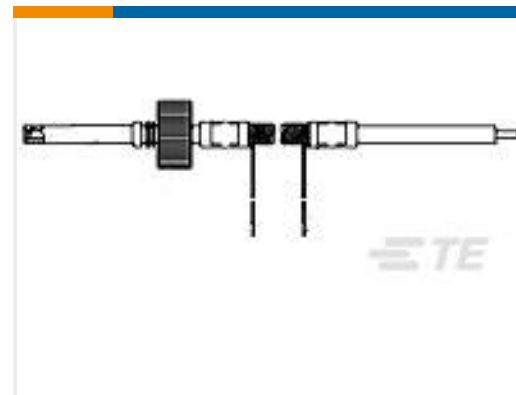
TE Part #4-6609089-7  
CORCOM WG SERIES SINGLE PHASE FILTERS



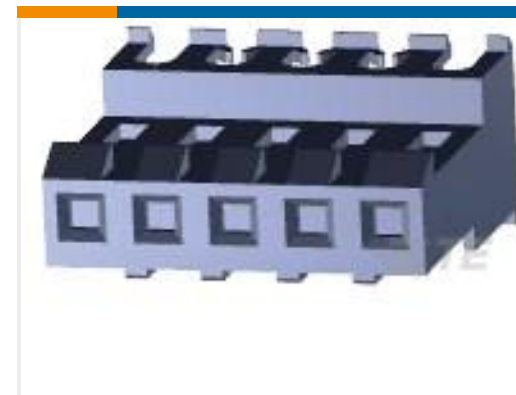
TE Part #BM2053-000  
Load Break Elbow: 200A, 15 and 25 kV



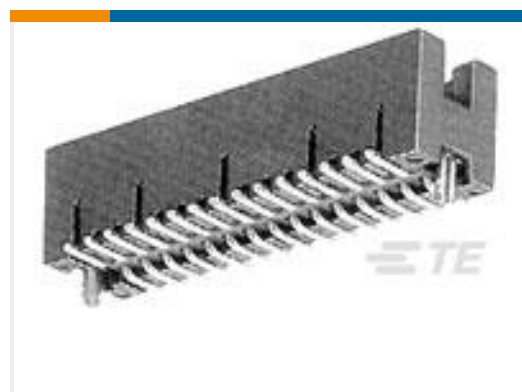
TE Part #3-1614972-3  
CPF 1206 215R 0.1% 25PPM 1K RL



TE Part #2-848076-7  
LEAD ASY,LGH3,SHLD W/GLAS BRAI



TE Part #3-641229-5  
05P MTA156 CONN ASSY 22AWG LF



TE Part #5-147381-3  
30 50/50 HDR SMT.250 W/HD SN



TE Part #2-2176377-0  
RQ.0805 210K 0.1% 10PPM 1K RL

## Documents

### Product Drawings

[16WGE3=F8248D](#)

English

### CAD Files

[3D PDF](#)

3D

Customer View Model

[ENG\\_CVM\\_CVM\\_8-6609089-0\\_E.2d\\_dxf.zip](#)

English

Customer View Model

[ENG\\_CVM\\_CVM\\_8-6609089-0\\_E.3d\\_igs.zip](#)

English

Customer View Model

[ENG\\_CVM\\_CVM\\_8-6609089-0\\_E.3d\\_stp.zip](#)

English

By downloading the CAD file I accept and agree to the [Terms and Conditions](#) of use.

### Datasheets & Catalog Pages



[1654001\\_CORCOM\\_PRODUCT\\_GUIDE\\_WG\\_SERIES](#)

English

[1-1654250-1\\_CORCOM\\_EMI\\_RFI\\_QRG](#)

English