



Sensors > Temperature Sensors > NTC Thermistors Sensors & Probes > Discrete NTC > Model 44900 Series



Discrete NTC Sensor Type: **Epoxy Coated NTC Thermistor**

Wire Connection: **Open End**

Discrete NTC Wire Length: **76 mm**

Resistance (at 25°C): **5 kΩ**

Beta 25/85 Value: **3987 K**

[All Model 44900 Series \(191\)](#)

Features

Product Type Features

Discrete NTC Sensor Type	Epoxy Coated NTC Thermistor
Tolerance β-Value	±0.8 %

Signal Characteristics

Beta 25/85 Value	3987 K
------------------	--------

Body Features

Wire Connection	Open End
-----------------	----------

Dimensions

Discrete NTC Wire Length	76 mm
--------------------------	-------

Usage Conditions

Resistance (at 25°C)	5 kΩ
Discrete NTC Ambient Temperature Range	-55 – 90 °C
Temperature Accuracy	± .2 from 0 – 70 °C
Maximum Temperature	90 °C[194 °F]

Packaging Features

Discrete NTC Package	Epoxy Radial Discrete
----------------------	-----------------------

Product Compliance

[For compliance documentation, visit the product page on TE.com>](#)

EU RoHS Directive 2011/65/EU	Not Yet Reviewed
EU ELV Directive 2000/53/EC	Not Yet Reviewed
China RoHS 2 Directive MIIT Order No 32, 2016	Not reviewed for China RoHS compliance
EU REACH Regulation (EC) No. 1907/2006	Current ECHA Candidate List: JAN 2021 (211) Not Yet Reviewed
Halogen Content	Not Yet Reviewed for halogen content
Solder Process Capability	Not reviewed for solder process capability

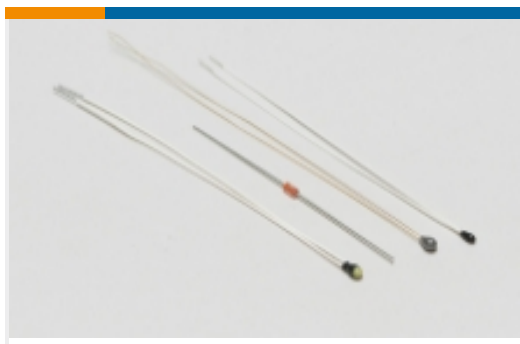
Product Compliance Disclaimer

This information is provided based on reasonable inquiry of our suppliers and represents our current actual knowledge based on the information they provided. This information is subject to change. The part numbers that TE has identified as EU RoHS compliant have a maximum concentration of 0.1% by weight in homogenous materials for lead, hexavalent chromium, mercury, PBB, PBDE, DBP, BBP, DEHP, DIBP, and 0.01% for cadmium, or qualify for an exemption to these limits as defined in the Annexes of Directive 2011/65/EU (RoHS2). Finished electrical and electronic equipment products will be CE marked as required by Directive 2011/65/EU. Components may not be CE marked. Additionally, the part numbers that TE has identified as EU ELV compliant have a maximum concentration of 0.1% by weight in homogenous materials for lead, hexavalent chromium, and mercury, and 0.01% for cadmium, or qualify for an exemption to these limits as defined in the Annexes of Directive 2000/53/EC (ELV). Regarding the REACH Regulations, TE's information on SVHC in articles for this part number is still based on the European Chemical Agency (ECHA) 'Guidance on requirements for substances in articles' (Version: 2, April 2011), applying the 0.1% weight on weight concentration threshold at the finished product level. TE is aware of the European Court of Justice ruling of September 10th, 2015 also known as O5A (Once An Article Always An Article) stating that, in case of 'complex object', the threshold for a SVHC must be applied to both the product as a whole and simultaneously to each of the articles forming part of its composition. TE has evaluated this ruling based on the new ECHA "Guidance on requirements for substances in articles" (June 2017, version 4.0) and will be updating its statements accordingly.

Compatible Parts



Also in the Series | [MEAS GSFC](#)



Discrete NTC(191)

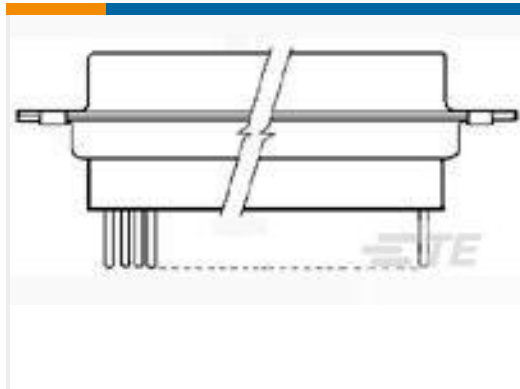
Customers Also Bought



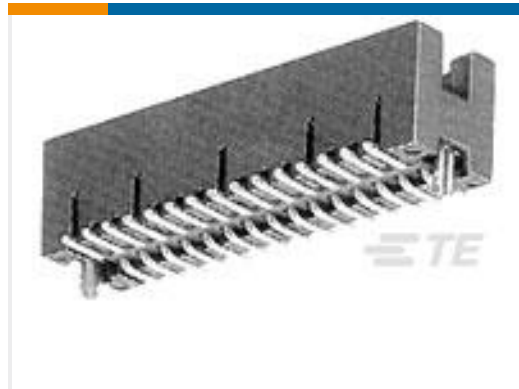
TE Part #11026149-00
Model 44900 Series



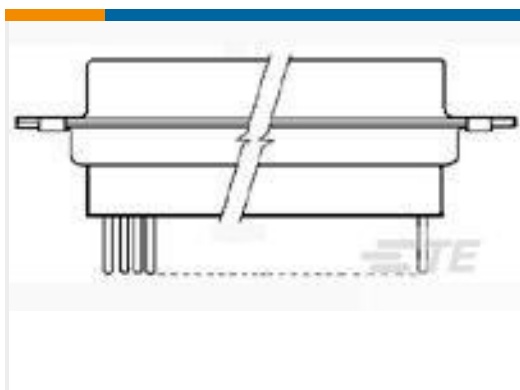
TE Part #YDTS20G11-35SDV001
D38999: Square Flange, 11-35 insert



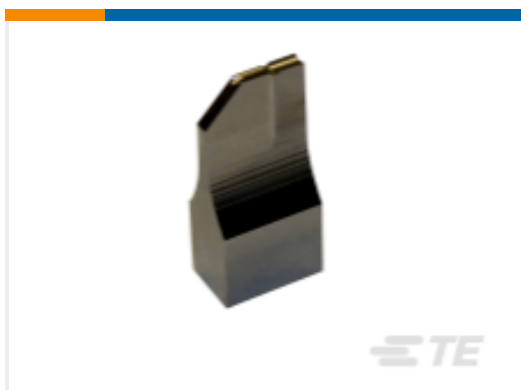
TE Part #208869-1
PLUG ASSY,62 POSN,AMPLIMITE



TE Part #104655-8
70 50/50 HDR DRST SFMNT .250



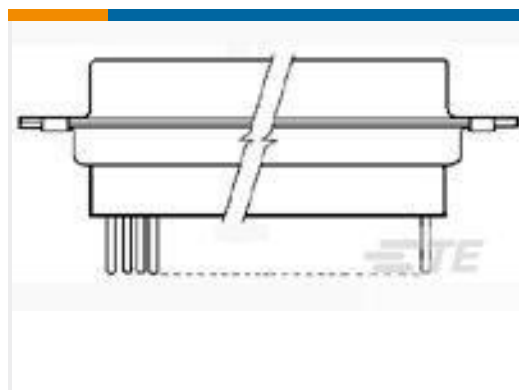
TE Part #208874-1
RECEPT ASSY,44 POSN,AMPLIMITE



TE Part #1-543013-0
DIES AMPLIMITE HD DIE SET



TE Part #1532172-2
M83513/04-B02N, MCKS-N1-B-15S6G1-36.0



TE Part #208873-1
RECEPT ASSY,26 POSN,AMPLIMITE



TE Part #2185040-1
ASSEMBLY, SEATING TL 4 ROW, 4 COL



TE Part #2187724-1
SW PIR HDR BP, 92OHM, 4X4 OEW

Documents

[CAD Files](#)

[3D PDF](#)

[3D](#)

[Customer View Model](#)

[ENG_CVM_CVM_SP44905X-5_B.2d_dxf.zip](#)

[English](#)

[Customer View Model](#)

[ENG_CVM_CVM_SP44905X-5_B.3d_igs.zip](#)



English

Customer View Model

[ENG_CVM_CVM_SP44905X-5_B.3d_stp.zip](#)

English

By downloading the CAD file I accept and agree to the [Terms and Conditions](#) of use.

Datasheets & Catalog Pages

[Model 44900 Series Datasheet](#)

English

[Model 44905 Datasheet](#)

English