

# UPF50B50RV ✓ ACTIVE

Holsworthy | Holsworthy UPF

TE Internal #: 1-2176163-7

Holsworthy UPF, Through-Hole Resistors, Precision Resistor, 10.2 x 4 mm, 2 Termination, Ammo Packed, .1 Passive Component Tolerance, Metal Film

[View on TE.com >](#)



Passive Components > Resistors > Through-Hole Resistors



Resistor Type: **Precision Resistor**

Passive Component Dimensions: **10.2 x 4 mm**

Number of Terminations: **2**

Packaging Method: **Ammo Packed**

Passive Component Tolerance: **.1 %**

## Features

### Product Type Features

Product Type	Fixed Resistor
Resistor Type	Precision Resistor
Element Type	Metal Film

### Configuration Features

Number of Resistors	1
---------------------	---

### Electrical Characteristics

Voltage Rating	300 V
Passive Component Tolerance	.1 %
Resistance Class	Up to 1k $\Omega$
Resistance Value	50 $\Omega$
Power Rating	.5 W

### Body Features

Passive Component Lead Type	Axial-Leaded
-----------------------------	--------------

### Termination Features

Number of Terminations	2
Passive Component Termination Material Type	Tinned Copper Leads

### Dimensions



Passive Component Dimensions	10.2 x 4 mm
------------------------------	-------------

### Usage Conditions

Operating Temperature Range	-55 – 125 °C
Temperature Coefficient	±5 ppm/°C

### Packaging Features

Packaging Method	Ammo Packed
------------------	-------------

### Product Compliance

[For compliance documentation, visit the product page on TE.com>](#)

EU RoHS Directive 2011/65/EU	Compliant
EU ELV Directive 2000/53/EC	Compliant
China RoHS 2 Directive MIIT Order No 32, 2016	No Restricted Materials Above Threshold
EU REACH Regulation (EC) No. 1907/2006	Current ECHA Candidate List: JAN 2021 (211) Candidate List Declared Against: JUN 2020 (209) SVHC > Threshold: Not Yet Reviewed
Halogen Content	Low Halogen - Br, Cl, F, I < 900 ppm per homogenous material. Also BFR/CFR/PVC Free
Solder Process Capability	Wave solder capable to 265°C

#### Product Compliance Disclaimer

This information is provided based on reasonable inquiry of our suppliers and represents our current actual knowledge based on the information they provided. This information is subject to change. The part numbers that TE has identified as EU RoHS compliant have a maximum concentration of 0.1% by weight in homogenous materials for lead, hexavalent chromium, mercury, PBB, PBDE, DBP, BBP, DEHP, DIBP, and 0.01% for cadmium, or qualify for an exemption to these limits as defined in the Annexes of Directive 2011/65/EU (RoHS2). Finished electrical and electronic equipment products will be CE marked as required by Directive 2011/65/EU. Components may not be CE marked. Additionally, the part numbers that TE has identified as EU ELV compliant have a maximum concentration of 0.1% by weight in homogenous materials for lead, hexavalent chromium, and mercury, and 0.01% for cadmium, or qualify for an exemption to these limits as defined in the Annexes of Directive 2000/53/EC (ELV). Regarding the REACH Regulation, the information TE provides on SVHC in articles for this part number is based on the latest European Chemicals Agency (ECHA) 'Guidance on requirements for substances in articles' posted at this URL: <https://echa.europa.eu/guidance-documents/guidance-on-reach>

### Compatible Parts



TE Part # 2176162-7  
UPF25 0.1% 5PPM 250R



TE Part # 1-2176163-5  
UPF50 0.1% 5PPM 500R



TE Part # 2176162-9  
UPF25 0.1% 5PPM 50R



TE Part # 2176163-3  
UPF50 0.1% 5PPM 10K



TE Part # 1-2176163-0  
UPF50 0.1% 5PPM 250R

Also in the Series | **Holsworthy UPF**



Through-Hole Resistors(28)

Customers Also Bought



TE Part #1-5499206-2  
AMP-LATCH UNIVERSAL HEADERS



TE Part #770988-3  
MINI UMNL SOK 22-18AWG AU LP



TE Part #1-1478963-0  
SMA PNL SKT RCPT, 2/FLNG GSS



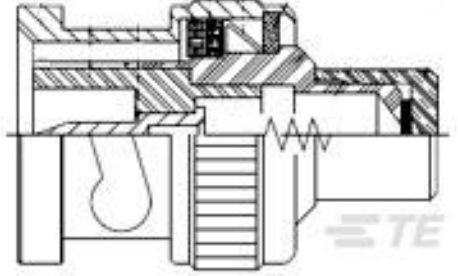
TE Part #1614965-3  
CPF 1206 7K5 0.1% 25PPM 1K RL



TE Part #1337808-1  
50 OHM COAX SMA STR PLUG STR P



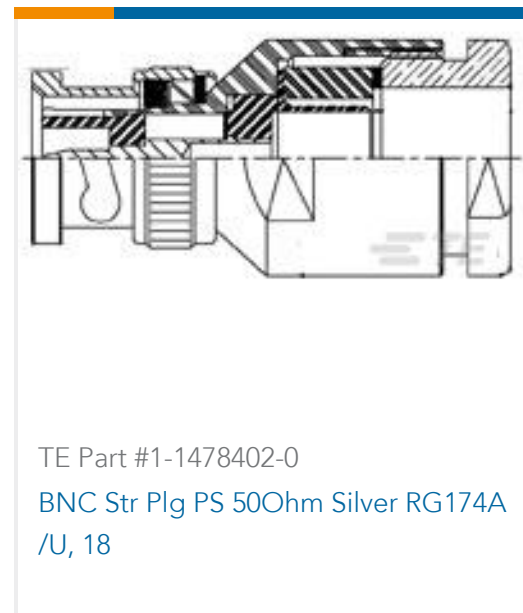
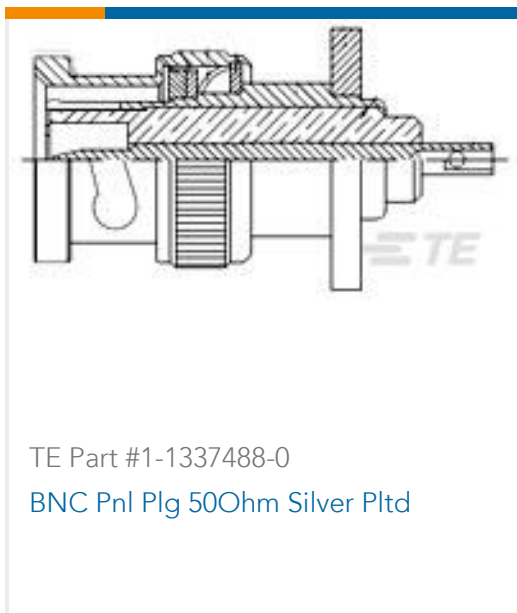
TE Part #1337808-3  
50 OHM COAX SMA STR PLUG STR P



TE Part #1-1337523-0  
BNC Plg Term 50Ohm Nickel Pltd



TE Part #1337808-2  
50 OHM COAX SMA STR PLUG STR P



## Documents

### CAD Files

[3D PDF](#)

[3D](#)

**Customer View Model**

[ENG\\_CVM\\_CVM\\_1-2176163-7\\_BA.2d\\_dxf.zip](#)

English

**Customer View Model**

[ENG\\_CVM\\_CVM\\_1-2176163-7\\_BA.3d\\_igs.zip](#)

English

**Customer View Model**

[ENG\\_CVM\\_CVM\\_1-2176163-7\\_BA.3d\\_stp.zip](#)

English

By downloading the CAD file I accept and agree to the [Terms and Conditions](#) of use.

### Datasheets & Catalog Pages

[High Precision Metal Film Leaded Resistor - Type UPF Series](#)

English