

RES KIT CFR16RS ✓ ACTIVE

Neohm | Neohm CFR

TE Internal #: 1625873-7

Neohm CFR, Through-Hole Resistors, General Purpose Resistor, 3.5 x 1.85 mm, 2 Termination, Folder, Carbon Film Fixed Kit, Carbon Film

[View on TE.com >](#)



Passive Components > Resistors > Through-Hole Resistors



Resistor Type: **General Purpose Resistor**

Passive Component Dimensions: **3.5 x 1.85 mm**

Number of Terminations: **2**

Packaging Method: **Folder**

Passive Component Accessory Type: **Carbon Film Fixed Kit**

Features

Product Type Features

Product Type	Resistor Kit
Resistor Type	General Purpose Resistor
Passive Component Accessory Type	Carbon Film Fixed Kit
Element Type	Carbon Film

Configuration Features

Number of Resistors	1
---------------------	---

Electrical Characteristics

Power Rating	.25 W
--------------	-------

Body Features

Passive Component Lead Type	Axial-Leaded
-----------------------------	--------------

Termination Features

Number of Terminations	2
Passive Component Termination Material Type	Tinned Copper Leads

Dimensions

Passive Component Dimensions	3.5 x 1.85 mm
------------------------------	---------------

Usage Conditions

Operating Temperature Range	-55 – 155 °C
-----------------------------	--------------



Packaging Features

Packaging Method	Folder
------------------	--------

Product Compliance

[For compliance documentation, visit the product page on TE.com>](#)

EU RoHS Directive 2011/65/EU	Compliant
EU ELV Directive 2000/53/EC	Compliant
China RoHS 2 Directive MIIT Order No 32, 2016	No Restricted Materials Above Threshold
EU REACH Regulation (EC) No. 1907/2006	Current ECHA Candidate List: JAN 2021 (211) Candidate List Declared Against: JAN 2021 (211) Does not contain REACH SVHC
Halogen Content	Low Halogen - Br, Cl, F, I < 900 ppm per homogenous material. Also BFR/CFR/PVC Free
Solder Process Capability	Wave solder capable to 265°C

Product Compliance Disclaimer

This information is provided based on reasonable inquiry of our suppliers and represents our current actual knowledge based on the information they provided. This information is subject to change. The part numbers that TE has identified as EU RoHS compliant have a maximum concentration of 0.1% by weight in homogenous materials for lead, hexavalent chromium, mercury, PBB, PBDE, DBP, BBP, DEHP, DIBP, and 0.01% for cadmium, or qualify for an exemption to these limits as defined in the Annexes of Directive 2011/65/EU (RoHS2). Finished electrical and electronic equipment products will be CE marked as required by Directive 2011/65/EU. Components may not be CE marked. Additionally, the part numbers that TE has identified as EU ELV compliant have a maximum concentration of 0.1% by weight in homogenous materials for lead, hexavalent chromium, and mercury, and 0.01% for cadmium, or qualify for an exemption to these limits as defined in the Annexes of Directive 2000/53/EC (ELV). Regarding the REACH Regulation, the information TE provides on SVHC in articles for this part number is based on the latest European Chemicals Agency (ECHA) 'Guidance on requirements for substances in articles' posted at this URL: <https://echa.europa.eu/guidance-documents/guidance-on-reach>

Compatible Parts



TE Part # 1625873-1
RS 0402 5% RESISTOR KIT



TE Part # 1625873-3
RS 0603 RESISTOR KIT



TE Part # 1625873-5
RS 0805 RESISTOR KIT



TE Part # 1625873-6
RS 1206 RESISTOR KIT



TE Part # 1625873-8
RS CFR25 RESISTOR KIT



TE Part # 1625873-9
RS CFR50 RESISTOR KIT



TE Part # 1-1625873-1
RS LR1 RESISTOR KIT



TE Part # 1-1625873-4
RS 0402 1% RESISTOR KIT



TE Part # 1-1625873-6
3521 10R-1M0 LAB KIT



TE Part # 1625873-4
0805 RESISTOR KITS



TE Part # 1-1625873-2
RS LR2 RESISTOR KIT

Also in the Series | **Neohm CFR**



Through-Hole Resistors(337)

Customers Also Bought



TE Part #1571563-4
FSM4JSMAATR=TACTSWITCH,SMT, T&R



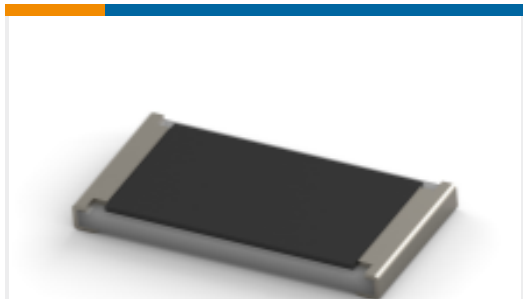
TE Part #1625873-3
RS 0603 RESISTOR KIT



TE Part #1-1625873-0
RS LR0204 RESISTOR KIT



TE Part #1-207303-3
CPC SERIES 1 POSTED



TE Part #1-2176070-3
SMD Power Resistor: 2 Watt, 3521 Series



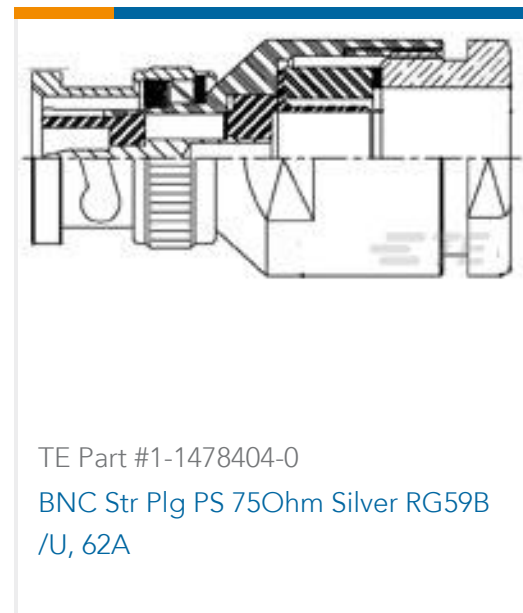
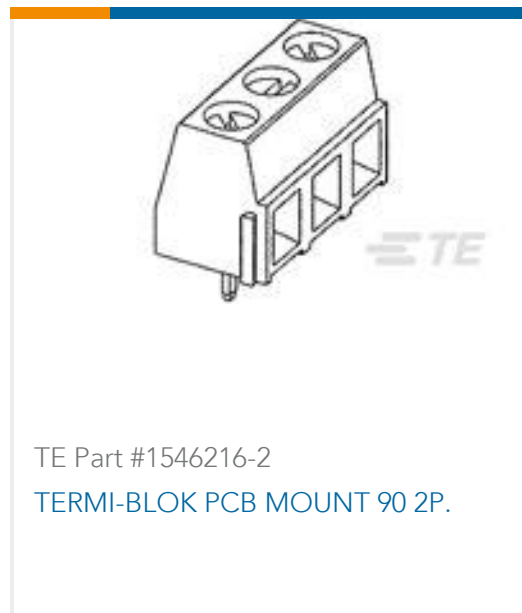
TE Part #E31096-000
LSTT-R-KIT-1



TE Part #1007079-1
CONTACT MICROPHONE CM-01



TE Part #1-1478988-0
SMA B/HD JK DS RG405 GSS



Documents

Product Drawings

[RS CFR16 RESISTOR KIT](#)

English

Datasheets & Catalog Pages

[1309350_PASSIVE_COMPONENT](#)

English

[Ceramic Film Fixed Resistors - Type CFR Series - Tyco Electronics Passives](#)

English