



CGS | CGS HB

TE Internal #: 1625958-4

CGS HB, Through-Hole Resistors, High Value/High Voltage Resistor, 26.5 x 3 mm, 2 Termination, Loose Piece - Tray, 1 Passive Component Tolerance

[View on TE.com >](#)

Passive Components > Resistors > Through-Hole Resistors



Resistor Type: **High Value/High Voltage Resistor**

Passive Component Dimensions: **26.5 x 3 mm**

Number of Terminations: **2**

Packaging Method: **Loose Piece - Tray**

Passive Component Tolerance: **1 %**

Features

Product Type Features

| | |
|---------------|----------------------------------|
| Product Type | Fixed Resistor |
| Resistor Type | High Value/High Voltage Resistor |
| Element Type | Thick Film |

Configuration Features

| | |
|---------------------|---|
| Number of Resistors | 1 |
|---------------------|---|

Electrical Characteristics

| | |
|-----------------------------|-----------|
| Voltage Rating | 7500 V |
| Passive Component Tolerance | 1 % |
| Resistance Class | 1MΩ – 1GΩ |
| Resistance Value | 100M Ω |
| Power Rating | 2 W |

Body Features

| | |
|-----------------------------|---------------|
| Passive Component Lead Type | Radial-Leaded |
|-----------------------------|---------------|

Termination Features

| | |
|---|---------------------|
| Number of Terminations | 2 |
| Passive Component Termination Material Type | Tinned Copper Leads |

Dimensions

| | |
|------------------------------|-------------|
| Passive Component Dimensions | 26.5 x 3 mm |
|------------------------------|-------------|



Usage Conditions

| | |
|-----------------------------|--------------|
| Operating Temperature Range | -55 – 125 °C |
| Temperature Coefficient | ±100 ppm/°C |

Packaging Features

| | |
|------------------|--------------------|
| Packaging Method | Loose Piece - Tray |
|------------------|--------------------|

Product Compliance

[For compliance documentation, visit the product page on TE.com>](#)

| | |
|---|---|
| EU RoHS Directive 2011/65/EU | Compliant with Exemptions |
| EU ELV Directive 2000/53/EC | Compliant with Exemptions |
| China RoHS 2 Directive MIIT Order No 32, 2016 | Restricted Materials Above Threshold |
| EU REACH Regulation (EC) No. 1907/2006 | Current ECHA Candidate List: JAN 2021 (211) Candidate List Declared Against: JAN 2021 (211) Does not contain REACH SVHC |
| Halogen Content | BFR/CFR/PVC Free, but Br/Cl >900 ppm in other sources. |
| Solder Process Capability | Hand solderable with lead free solder |

Product Compliance Disclaimer

This information is provided based on reasonable inquiry of our suppliers and represents our current actual knowledge based on the information they provided. This information is subject to change. The part numbers that TE has identified as EU RoHS compliant have a maximum concentration of 0.1% by weight in homogenous materials for lead, hexavalent chromium, mercury, PBB, PBDE, DBP, BBP, DEHP, DIBP, and 0.01% for cadmium, or qualify for an exemption to these limits as defined in the Annexes of Directive 2011/65/EU (RoHS2). Finished electrical and electronic equipment products will be CE marked as required by Directive 2011/65/EU. Components may not be CE marked. Additionally, the part numbers that TE has identified as EU ELV compliant have a maximum concentration of 0.1% by weight in homogenous materials for lead, hexavalent chromium, and mercury, and 0.01% for cadmium, or qualify for an exemption to these limits as defined in the Annexes of Directive 2000/53/EC (ELV). Regarding the REACH Regulation, the information TE provides on SVHC in articles for this part number is based on the latest European Chemicals Agency (ECHA) 'Guidance on requirements for substances in articles' posted at this URL: <https://echa.europa.eu/guidance-documents/guidance-on-reach>

Compatible Parts




TE Part # 1625958-5
HB01RE 10K 1% 100PPM



TE Part # 1625959-3
HB03RE 100M 1% 100PPM



TE Part # 1625959-7
HB03RE 1G0 1% 100PPM



TE Part # 3-1625958-4
HB01RE 500M 1% 100PPM



TE Part # 1625959-6
HB03RE 10M 1% 100PPM



TE Part # 1625960-3
HBA RE 10M 1% 100PPM



TE Part # 1625960-8
HBA RE 33M 1% 100PPM



TE Part # 1625960-9
HBA RE 47M 1% 100PPM



TE Part # 1625958-2
HB01RE 100K 1% 100PPM



TE Part # 1-1625958-8
HB01RE 20M 1% 100PPM



TE Part # 2-1625958-6
HB01RE 300K 1% 100PPM



TE Part # 2-1625958-7
HB01RE 300M 1% 100PPM



TE Part # 3-1625958-3
HB01RE 500K 1% 100PPM



TE Part # 2-1625959-5
HB03RE 50M 1% 100PPM



TE Part # 1625960-6
HBA RE 22M 1% 100PPM



TE Part # 4-1625958-8
HB01RE 3M3 0.25% 100PPM



TE Part # 3-1625958-8
HB01RE 5M0 1% 100PPM



TE Part # 2-1625959-3
HB03RE 500M 1% 100PPM



TE Part # 3-1625958-1
HB01RE 400M 1% 100PPM



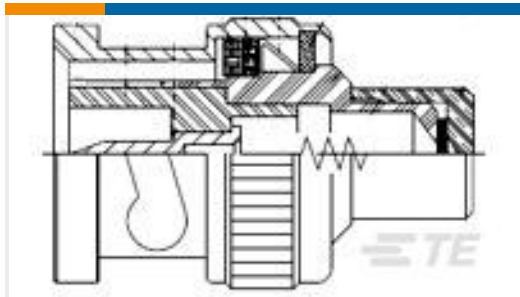
TE Part # 1625959-9
HB03RE 1M0 1% 100PPM

Also in the Series | **CGS HB**



Through-Hole Resistors(51)

Customers Also Bought



TE Part #1-1337463-0
BNC Plg Term 50Ohm Silver Pltd



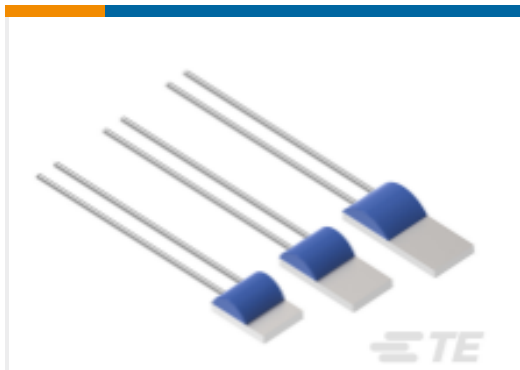
TE Part #1-1478963-0
SMA PNL SKT RCPT, 2/FLNG GSS



TE Part #1-1625958-8
HB01RE 20M 1% 100PPM



TE Part #1-1879134-0
RN 0603 12K1 0.1% 10PPM 1K RL



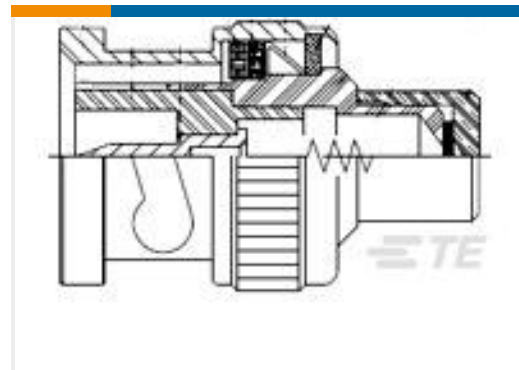
TE Part #NB-PTCO-160
RTD Platinum Thin Film Element



TE Part #1-1625958-2
HB01RE 1G0 1% 100PPM



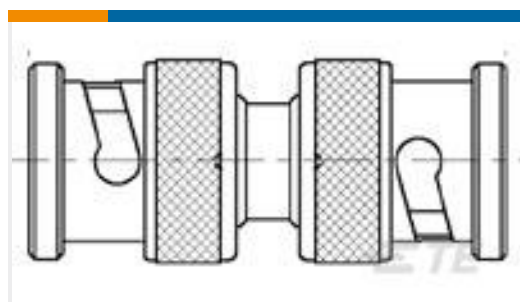
TE Part #1-1625958-5
HB01RE 1M0 1% 100PPM



TE Part #1-1337523-0
BNC Plg Term 50Ohm Nickel Pltd



TE Part #1-1478966-0
SMA B/HD SKT RCPT GSS



TE Part #1-1337455-0
BNC Str Adp PP 50Ohm Silver Pltd

Documents

Product Drawings

[HB01RE 100M 1% 100PPM](#)

English

CAD Files

[3D PDF](#)

3D

Customer View Model

[ENG_CVM_CVM_1625958-4_H.2d_dxf.zip](#)



English

Customer View Model

[ENG_CVM_CVM_1625958-4_H.3d_igs.zip](#)

English

Customer View Model

[ENG_CVM_CVM_1625958-4_H.3d_stp.zip](#)

English

By downloading the CAD file I accept and agree to the [Terms and Conditions](#) of use.

Datasheets & Catalog Pages

[1309350_PASSIVE_COMPONENT](#)

English

[4-1773460-6_RESISTIVE_SOLUTIONS_RAIL](#)

English

[High Value/High Voltage Resistors - Type HB Series](#)

English