

1-6609070-0 ✓ ACTIVE

Corcom | Corcom FCD

TE Internal #: 1-6609070-0

Corcom FCD, 3-Phase Filters, 180A 3-Phase Filter Current Rating, Terminal Block Input, Terminal Block Output, DELTA (3 wire + ground)

[View on TE.com >](#)



EMI Filters > Power Line Filters > 3-Phase Filters > CORCOM FCD SERIES 3-PHASE FILTERS



3-Phase Filter Current Rating: **180 A**

Filter Input Termination Type: **Terminal Block**

Filter Output Termination Type: **Terminal Block**

Wiring Configuration: **DELTA (3 wire + ground)**

Continuous Operating Voltage (Max): **480 VAC**

[All CORCOM FCD SERIES 3-PHASE FILTERS \(24\)](#)

## Features

### Product Type Features

Filter Type	Power Line
Filtering Requirements	Filtered
Filter Input Termination Type	Terminal Block
Filter Output Termination Type	Terminal Block

### Configuration Features

Wiring Configuration	DELTA (3 wire + ground)
----------------------	-------------------------

### Electrical Characteristics

Leakage Current (Max) (250VAC, 50Hz)	.92 mA
3-Phase Filter Current Rating	180 A
Continuous Operating Voltage (Max)	480 VAC

### Mechanical Attachment

Mount Style	Flanged
-------------	---------

### Usage Conditions

Operating Temperature Range	-10 – 40 °C
-----------------------------	-------------

## Product Compliance

[For compliance documentation, visit the product page on TE.com>](#)

EU RoHS Directive 2011/65/EU	Compliant with Exemptions
EU ELV Directive 2000/53/EC	Compliant with Exemptions
China RoHS 2 Directive MIIT Order No 32, 2016	Restricted Materials Above Threshold
EU REACH Regulation (EC) No. 1907/2006	Current ECHA Candidate List: JAN 2021 (211) Candidate List Declared Against: JUN 2020 (209) SVHC > Threshold: Not Yet Reviewed
Halogen Content	Not Low Halogen - contains Br or Cl > 900 ppm.
Solder Process Capability	Not applicable for solder process capability

#### Product Compliance Disclaimer

This information is provided based on reasonable inquiry of our suppliers and represents our current actual knowledge based on the information they provided. This information is subject to change. The part numbers that TE has identified as EU RoHS compliant have a maximum concentration of 0.1% by weight in homogenous materials for lead, hexavalent chromium, mercury, PBB, PBDE, DBP, BBP, DEHP, DIBP, and 0.01% for cadmium, or qualify for an exemption to these limits as defined in the Annexes of Directive 2011/65/EU (RoHS2). Finished electrical and electronic equipment products will be CE marked as required by Directive 2011/65/EU. Components may not be CE marked. Additionally, the part numbers that TE has identified as EU ELV compliant have a maximum concentration of 0.1% by weight in homogenous materials for lead, hexavalent chromium, and mercury, and 0.01% for cadmium, or qualify for an exemption to these limits as defined in the Annexes of Directive 2000/53/EC (ELV). Regarding the REACH Regulation, the information TE provides on SVHC in articles for this part number is based on the latest European Chemicals Agency (ECHA) 'Guidance on requirements for substances in articles' posted at this URL: <https://echa.europa.eu/guidance-documents/guidance-on-reach>

## Compatible Parts

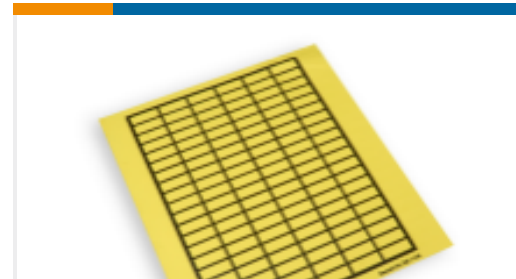
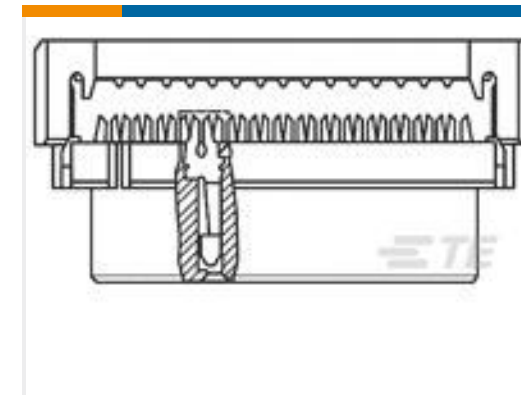
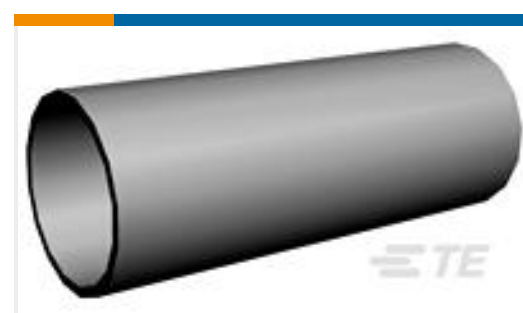


Also in the Series | [Corcom FCD](#)



3-Phase Filters(24)

## Customers Also Bought

TE Part #1648152-1  
241-28-01100TE Part #6-520315-5  
TRIOMATE ASY V 15P LDFRTE Part #1768017-2  
EB HAND WRITABLE VINYL LABELSTE Part #1719840-3  
MCON, RECEPTACLE AND TABTE Part #E67918-000  
LVA-440B-ASTE Part #1648157-1  
242-28-01100TE Part #2205076-2  
CA MICRO-MATCH MOW-MOW  
20POSTE Part #2-111626-0  
34, 2MM, 30 DP, LEAD FREETE Part #176498-2  
PL MKII 187 REC HSG 2P NYLON  
BLACKTE Part #3-1393561-9  
V42254A6109L 1=SUB D KONTAKTH

## Documents

### CAD Files

3D PDF

3D

### Customer View Model

[ENG\\_CVM\\_CVM\\_1-6609070-0\\_A.2d\\_dxf.zip](#)

English

### Customer View Model

[ENG\\_CVM\\_CVM\\_1-6609070-0\\_A.3d\\_igs.zip](#)



English

**Customer View Model**

[ENG\\_CVM\\_CVM\\_1-6609070-0\\_A.3d\\_stp.zip](#)

English

By downloading the CAD file I accept and agree to the [Terms and Conditions](#) of use.

**Datasheets & Catalog Pages**

[1654001\\_CORCOM\\_PRODUCT\\_GUIDE\\_FCD\\_SERIES](#)

English

[1654001\\_CORCOM\\_PRODUCT\\_GUIDE](#)

English

[1-1654250-1\\_CORCOM\\_EMI\\_RFI\\_QRG](#)

English

[1773449-2\\_CORCOM\\_HIGH\\_CURRENT](#)

English

**Corcom Combined Selector Charts**

English