

2-1609091-8 ✓ ACTIVE

Corcom | Corcom BCF

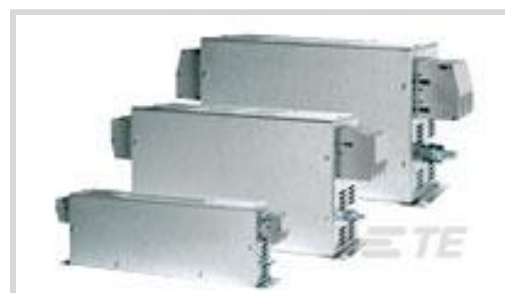
TE Internal #: 2-1609091-8

Corcom BCF, 3-Phase Filters, 42A 3-Phase Filter Current Rating, Threaded Bolt Input, Threaded Bolt Output, DELTA (3 wire + ground)

[View on TE.com >](#)



EMI Filters > Power Line Filters > 3-Phase Filters > CORCOM BCF SERIES 3-PHASE FILTERS



3-Phase Filter Current Rating: **42 A**

Filter Input Termination Type: **Threaded Bolt**

Filter Output Termination Type: **Threaded Bolt**

Wiring Configuration: **DELTA (3 wire + ground)**

Continuous Operating Voltage (Max): **480 VAC**

[All CORCOM BCF SERIES 3-PHASE FILTERS \(36\)](#)

Features

Product Type Features

Filter Type	Power Line
Filtering Requirements	Filtered
Filter Input Termination Type	Threaded Bolt
Filter Output Termination Type	Threaded Bolt

Configuration Features

Wiring Configuration	DELTA (3 wire + ground)
----------------------	-------------------------

Electrical Characteristics

Leakage Current (Max) (250VAC, 50Hz)	259 mA
3-Phase Filter Current Rating	42 A
Continuous Operating Voltage (Max)	480 VAC

Mechanical Attachment

Mount Style	Flanged
-------------	---------

Usage Conditions

Operating Temperature Range	-10 – 50 °C
-----------------------------	-------------

Product Compliance

[For compliance documentation, visit the product page on TE.com>](#)



EU RoHS Directive 2011/65/EU	Compliant
EU ELV Directive 2000/53/EC	Compliant
China RoHS 2 Directive MIIT Order No 32, 2016	No Restricted Materials Above Threshold
EU REACH Regulation (EC) No. 1907/2006	Current ECHA Candidate List: JAN 2021 (211) Candidate List Declared Against: JAN 2021 (211) Does not contain REACH SVHC
Halogen Content	Low Halogen - Br, Cl, F, I < 900 ppm per homogenous material. Also BFR/CFR/PVC Free
Solder Process Capability	Not applicable for solder process capability

Product Compliance Disclaimer

This information is provided based on reasonable inquiry of our suppliers and represents our current actual knowledge based on the information they provided. This information is subject to change. The part numbers that TE has identified as EU RoHS compliant have a maximum concentration of 0.1% by weight in homogenous materials for lead, hexavalent chromium, mercury, PBB, PBDE, DBP, BBP, DEHP, DIBP, and 0.01% for cadmium, or qualify for an exemption to these limits as defined in the Annexes of Directive 2011/65/EU (RoHS2). Finished electrical and electronic equipment products will be CE marked as required by Directive 2011/65/EU. Components may not be CE marked. Additionally, the part numbers that TE has identified as EU ELV compliant have a maximum concentration of 0.1% by weight in homogenous materials for lead, hexavalent chromium, and mercury, and 0.01% for cadmium, or qualify for an exemption to these limits as defined in the Annexes of Directive 2000/53/EC (ELV). Regarding the REACH Regulation, the information TE provides on SVHC in articles for this part number is based on the latest European Chemicals Agency (ECHA) 'Guidance on requirements for substances in articles' posted at this URL: <https://echa.europa.eu/guidance-documents/guidance-on-reach>

Compatible Parts



Also in the Series | **Corcom BCF**



3-Phase Filters(36)

Customers Also Bought



TE Part #3-647001-2
Nylon Tin Plated Plug: 2.54mm, With Mating Alignment, MTA 100



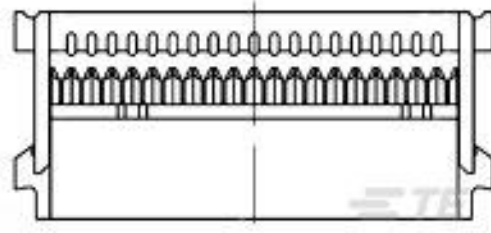
TE Part #2-644488-6
Polyester Right Angle PCB Header: 2.54mm, Shrouded, With Mating Alignment



TE Part #1658540-1
D-Sub Connector Contacts: Pin, Brass, Signal, Size 20



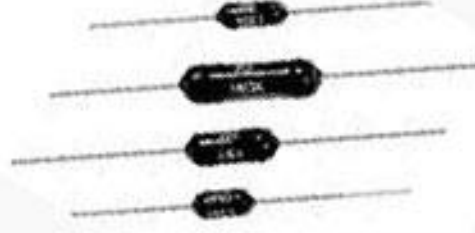
TE Part #535090-4
096 EURO TYPE C RECEPT ST ASSY



TE Part #1658526-8
609-1430LF FEM SOCKET, LEAD FREE



TE Part #1-1393767-5
R10-E2X2-V700=R10



TE Part #5-1879666-4
H8 475K 0.1% 15PPM



TE Part #5-1437595-2
TRD11F10WL=SUB MINI ROCKER BLA



TE Part #3-1622796-7
YR1 0.1% 6K19



TE Part #8-2176316-9
MELF SMA-A 120K 1% 50PPM 0207 1W

Documents

Product Drawings

[42BCF6=F8235B](#)

English

Datasheets & Catalog Pages

[1654001_CORCOM_PRODUCT_GUIDE](#)

English

Corcom Combined Selector Charts

English

2-1609091-8

Corcom BCF, 3-Phase Filters, 42A 3-Phase Filter Current Rating, Threaded Bolt Input,
Threaded Bolt Output, DELTA (3 wire + ground)

