

RSS3W4K7JTB ✓ ACTIVE

CGS | CGS RSS

TE Internal #: 3-1624246-7

CGS RSS, Through-Hole Resistors, Power Resistor, 15 x 5 mm, 2 Termination, Ammo Packed, 5 Passive Component Tolerance, Metal Oxide Film

[View on TE.com >](#)



Passive Components > Resistors > Through-Hole Resistors



Resistor Type: **Power Resistor**

Passive Component Dimensions: **15 x 5 mm**

Number of Terminations: **2**

Packaging Method: **Ammo Packed**

Passive Component Tolerance: **5 %**

Features

Product Type Features

| | |
|---------------|------------------|
| Product Type | Fixed Resistor |
| Resistor Type | Power Resistor |
| Element Type | Metal Oxide Film |

Configuration Features

| | |
|---------------------|---|
| Number of Resistors | 1 |
|---------------------|---|

Electrical Characteristics

| | |
|-----------------------------|---------------------------|
| Voltage Rating | 350 V |
| Passive Component Tolerance | 5 % |
| Resistance Class | 1k Ω – 1M Ω |
| Resistance Value | 4.7K Ω |
| Power Rating | 3 W |

Body Features

| | |
|-----------------------------|--------------|
| Passive Component Lead Type | Axial-Leaded |
|-----------------------------|--------------|

Termination Features

| | |
|---|---------------------|
| Number of Terminations | 2 |
| Passive Component Termination Material Type | Tinned Copper Leads |

Dimensions

| | |
|------------------------------|-----------|
| Passive Component Dimensions | 15 x 5 mm |
|------------------------------|-----------|



Usage Conditions

| | |
|-----------------------------|--------------|
| Operating Temperature Range | -55 – 155 °C |
| Temperature Coefficient | ±300 ppm/°C |

Packaging Features

| | |
|------------------|-------------|
| Packaging Method | Ammo Packed |
|------------------|-------------|

Product Compliance

[For compliance documentation, visit the product page on TE.com>](#)

| | |
|---|---|
| EU RoHS Directive 2011/65/EU | Compliant |
| EU ELV Directive 2000/53/EC | Compliant |
| China RoHS 2 Directive MIIT Order No 32, 2016 | No Restricted Materials Above Threshold |
| EU REACH Regulation (EC) No. 1907/2006 | Current ECHA Candidate List: JAN 2021 (211) Candidate List Declared Against: JUN 2020 (209) SVHC > Threshold: Not Yet Reviewed |
| Halogen Content | Low Halogen - Br, Cl, F, I < 900 ppm per homogenous material. Also BFR/CFR/PVC Free |
| Solder Process Capability | Wave solder capable to 265°C |

Product Compliance Disclaimer

This information is provided based on reasonable inquiry of our suppliers and represents our current actual knowledge based on the information they provided. This information is subject to change. The part numbers that TE has identified as EU RoHS compliant have a maximum concentration of 0.1% by weight in homogenous materials for lead, hexavalent chromium, mercury, PBB, PBDE, DBP, BBP, DEHP, DIBP, and 0.01% for cadmium, or qualify for an exemption to these limits as defined in the Annexes of Directive 2011/65/EU (RoHS2). Finished electrical and electronic equipment products will be CE marked as required by Directive 2011/65/EU. Components may not be CE marked. Additionally, the part numbers that TE has identified as EU ELV compliant have a maximum concentration of 0.1% by weight in homogenous materials for lead, hexavalent chromium, and mercury, and 0.01% for cadmium, or qualify for an exemption to these limits as defined in the Annexes of Directive 2000/53/EC (ELV). Regarding the REACH Regulation, the information TE provides on SVHC in articles for this part number is based on the latest European Chemicals Agency (ECHA) 'Guidance on requirements for substances in articles' posted at this URL: <https://echa.europa.eu/guidance-documents/guidance-on-reach>

Compatible Parts



TE Part # 3-1624246-8
RSS3 560R 5% AMMO PK



TE Part # 1624246-5
RSS3 12K 5% AMMO PK



TE Part # 1-1624246-4
RSS3 1K2 5% AMMO PK




TE Part # 4-1624246-9
RSS3 8K2 5% AMMO PK

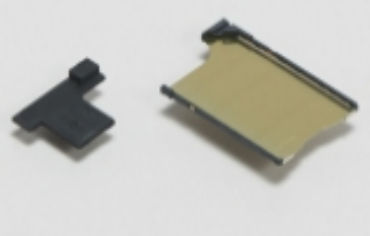


TE Part # 1879004-5
RSS7 33K 5% LOOSE

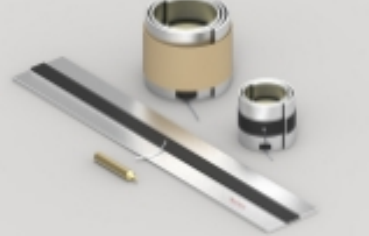
Also in the Series | CGS RSS



Card Ejectors(3)



Card Guide Hardware(1)



Duct Seals(4)



PCMCIA Connectors(1)



Through-Hole Resistors(67)


Customers Also Bought



TE Part #3-1879351-6
RR01 5% 82K AMMO



TE Part #2311767-1
D-Sub Receptacle Assembly: Right Angle, Shell Size 2, 2.74mm



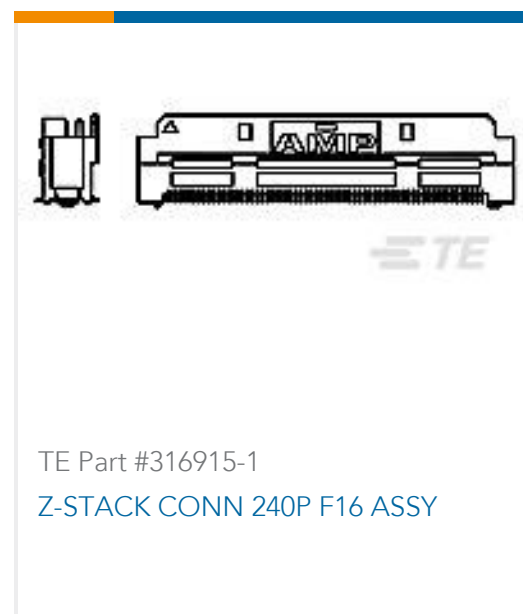
TE Part #1623749-3
ER17 15R 5% LOOSE



TE Part #1622854-1
CRG0603 1% 15R



TE Part #1622856-1
CRG0603 1% 160R



TE Part #316915-1
Z-STACK CONN 240P F16 ASSY



TE Part #1546097-3
5.08 HORIZ HDR CLOSEDEND 3 POS



TE Part #917897-1
2.5 S.D.L STD V 5P HDR ON/TAPE



TE Part #4-1623709-3
FCA4 R22 5% LP



TE Part #1623963-1
SC10-10-0547-10 680UH AMMO 1000

Documents

Product Drawings

RSS3 4K7 5% AMMO PK

English

CAD Files

3D PDF

3D

Customer View Model

[ENG_CVM_CVM_3-1624246-7_BA.2d_dxf.zip](#)

English

Customer View Model

[ENG_CVM_CVM_3-1624246-7_BA.3d_igs.zip](#)

English

Customer View Model

[ENG_CVM_CVM_3-1624246-7_BA.3d_stp.zip](#)

English

By downloading the CAD file I accept and agree to the [Terms and Conditions](#) of use.

Datasheets & Catalog Pages

1309350_PASSIVE_COMPONENT

English

High Voltage Resistors - Type RSS Series - Tyco Electronics Passives

English