

4-1609114-6 ✓ ACTIVE

Corcom | Corcom APS

TE Internal #: 4-1609114-6

Corcom APS, 3-Phase Filters, 600A 3-Phase Filter Current Rating,
Bus Bar Input, Bus Bar Output, DELTA (3 wire + ground)

[View on TE.com >](#)



EMI Filters > Power Line Filters > 3-Phase Filters > CORCOM APS SERIES 3-PHASE FILTERS



3-Phase Filter Current Rating: **600 A**

Filter Input Termination Type: **Bus Bar**

Filter Output Termination Type: **Bus Bar**

Wiring Configuration: **DELTA (3 wire + ground)**

Continuous Operating Voltage (Max): **520 VAC**

[All CORCOM APS SERIES 3-PHASE FILTERS \(10\)](#)

Features

Product Type Features

Filter Type	Power Line
Filtering Requirements	Filtered
Filter Input Termination Type	Bus Bar
Filter Output Termination Type	Bus Bar

Configuration Features

Wiring Configuration	DELTA (3 wire + ground)
----------------------	-------------------------

Electrical Characteristics

Leakage Current (Max) (250VAC, 50Hz)	270 mA
3-Phase Filter Current Rating	600 A
Continuous Operating Voltage (Max)	520 VAC

Mechanical Attachment

Mount Style	Flanged
-------------	---------

Usage Conditions

Operating Temperature Range	-10 – 50 °C
-----------------------------	-------------

Product Compliance

[For compliance documentation, visit the product page on TE.com>](#)

EU RoHS Directive 2011/65/EU	Compliant
EU ELV Directive 2000/53/EC	Compliant
China RoHS 2 Directive MIIT Order No 32, 2016	No Restricted Materials Above Threshold
EU REACH Regulation (EC) No. 1907/2006	Current ECHA Candidate List: JAN 2021 (211) Candidate List Declared Against: JUN 2020 (209) SVHC > Threshold: Not Yet Reviewed
Halogen Content	Not Low Halogen - contains Br or Cl > 900 ppm.
Solder Process Capability	Not applicable for solder process capability

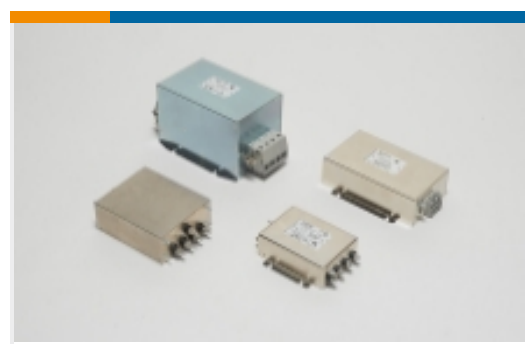
Product Compliance Disclaimer

This information is provided based on reasonable inquiry of our suppliers and represents our current actual knowledge based on the information they provided. This information is subject to change. The part numbers that TE has identified as EU RoHS compliant have a maximum concentration of 0.1% by weight in homogenous materials for lead, hexavalent chromium, mercury, PBB, PBDE, DBP, BBP, DEHP, DIBP, and 0.01% for cadmium, or qualify for an exemption to these limits as defined in the Annexes of Directive 2011/65/EU (RoHS2). Finished electrical and electronic equipment products will be CE marked as required by Directive 2011/65/EU. Components may not be CE marked. Additionally, the part numbers that TE has identified as EU ELV compliant have a maximum concentration of 0.1% by weight in homogenous materials for lead, hexavalent chromium, and mercury, and 0.01% for cadmium, or qualify for an exemption to these limits as defined in the Annexes of Directive 2000/53/EC (ELV). Regarding the REACH Regulation, the information TE provides on SVHC in articles for this part number is based on the latest European Chemicals Agency (ECHA) 'Guidance on requirements for substances in articles' posted at this URL: <https://echa.europa.eu/guidance-documents/guidance-on-reach>

Compatible Parts



Also in the Series | Corcom APS



3-Phase Filters(10)

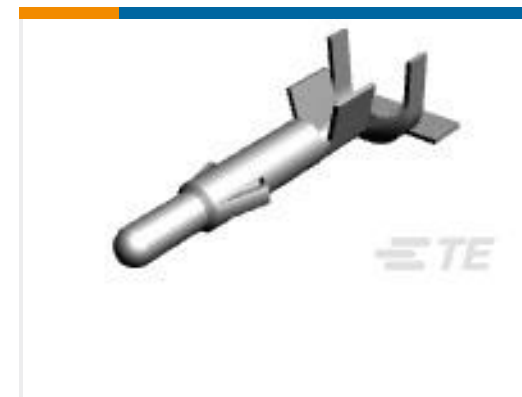
Customers Also Bought



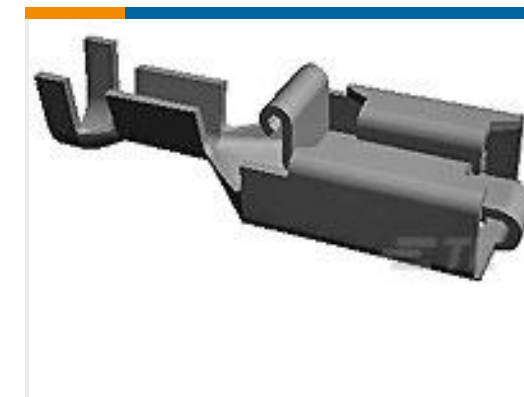
TE Part #54011-3
HEAT SHRINK STRAIN RELIEFS-CPC



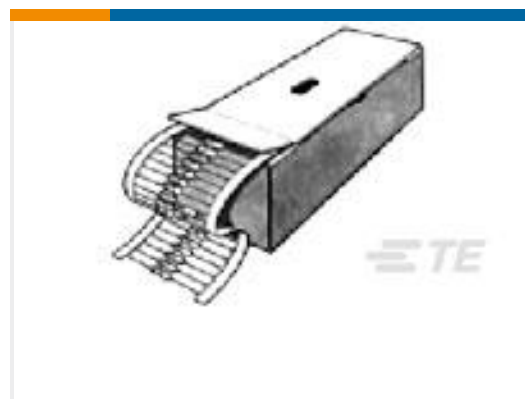
TE Part #3-1879455-3
Wirewound Resistor: Mineral, 2.5 Kw



TE Part #926868-1
UNIV.M-N-L.PIN



TE Part #160831-3
250 PL MKI REC. 17-13AWG TPBR



TE Part #2176045-8
EP 5W 100R 5%



TE Part #2176163-9
UPF50 0.1% 5PPM 20R



TE Part #3-1393817-9
CRADLE P/W RELAY V23003



TE Part #1624181-1
27E DUAL 50KA 6.35X50FL



TE Part #4-1609114-5
CORCOM APS SERIES 3-PHASE FILTERS



TE Part #6-1415034-1
PT78720

Documents

Product Drawings

[600APS12L=F8411](#)

English

CAD Files

[3D PDF](#)

3D

Customer View Model

[ENG_CVM_CVM_4-1609114-6_A_c-4-1609114-6-a.2d_dxf.zip](#)



English

Customer View Model

[ENG_CVM_CVM_4-1609114-6_A_c-4-1609114-6-a.3d_igs.zip](#)

English

Customer View Model

[ENG_CVM_CVM_4-1609114-6_A_c-4-1609114-6-a.3d_stp.zip](#)

English

By downloading the CAD file I accept and agree to the [Terms and Conditions](#) of use.

Datasheets & Catalog Pages

[1654001_CORCOM_PRODUCT_GUIDE](#)

English

[Corcom APH/APS Series 3-phase high current EMI filters](#)

English

[Corcom Combined Selector Charts](#)

English