

# BMB2A0750BN7 ✘ OBSOLETE

TE Internal #: 5-1624117-6

TE Internal Description: BMB-B 0805 750R N7

[View on TE.com >](#)



## Product Compliance

[For compliance documentation, visit the product page on TE.com>](#)

EU RoHS Directive 2011/65/EU	Compliant
EU ELV Directive 2000/53/EC	Compliant
China RoHS 2 Directive MIIT Order No 32, 2016	No Restricted Materials Above Threshold
EU REACH Regulation (EC) No. 1907/2006	Current ECHA Candidate List: JAN 2021 (211) Candidate List Declared Against: JUN 2015 (163) SVHC > Threshold: Not Yet Reviewed
Halogen Content	Low Halogen - Br, Cl, F, I < 900 ppm per homogenous material. Also BFR/CFR/PVC Free
Solder Process Capability	Reflow solder capable to 260°C

### Product Compliance Disclaimer

This information is provided based on reasonable inquiry of our suppliers and represents our current actual knowledge based on the information they provided. This information is subject to change. The part numbers that TE has identified as EU RoHS compliant have a maximum concentration of 0.1% by weight in homogenous materials for lead, hexavalent chromium, mercury, PBB, PBDE, DBP, BBP, DEHP, DIBP, and 0.01% for cadmium, or qualify for an exemption to these limits as defined in the Annexes of Directive 2011/65/EU (RoHS2). Finished electrical and electronic equipment products will be CE marked as required by Directive 2011/65/EU. Components may not be CE marked. Additionally, the part numbers that TE has identified as EU ELV compliant have a maximum concentration of 0.1% by weight in homogenous materials for lead, hexavalent chromium, and mercury, and 0.01% for cadmium, or qualify for an exemption to these limits as defined in the Annexes of Directive 2000/53/EC (ELV). Regarding the REACH Regulation, the information TE provides on SVHC in articles for this part number is based on the latest European Chemicals Agency (ECHA) 'Guidance on requirements for substances in articles' posted at this URL: <https://echa.europa.eu/guidance-documents/guidance-on-reach>

## Customers Also Bought



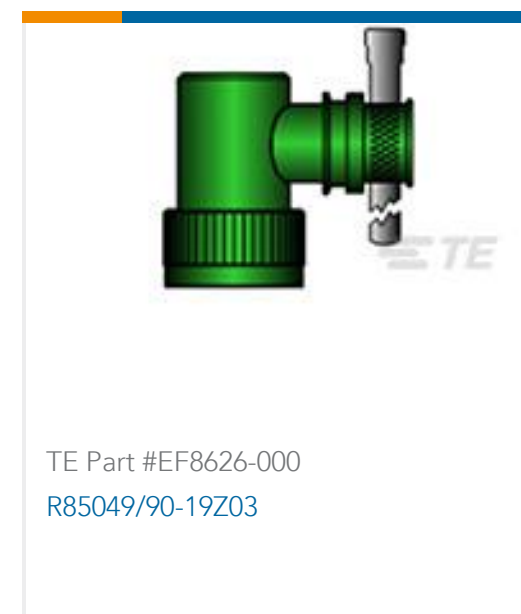
TE Part #1-2308342-2  
D-SUB BACKSHELL SIZE 3



TE Part #1-2308346-2  
D-SUB BACKSHELL SIZE 5



TE Part #4-2176405-3  
3550 820K 5%



TE Part #EF8626-000  
R85049/90-19Z03



TE Part #3-2176414-0  
7W STD M/OX 5% 330R



TE Part #5-1879131-0  
RN 0402 8K66 0.1% 10PPM 1K RL



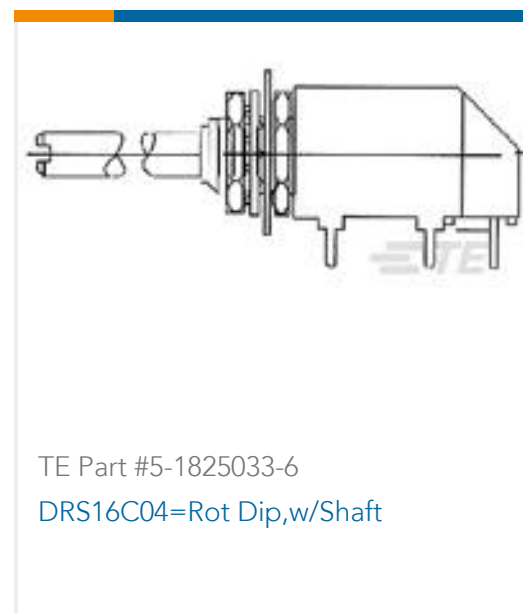
TE Part #104477-2  
20 SYSTEM 50 HDR DRRA SHRD



TE Part #180934-1  
M SERIES BLOCK 4P.



TE Part #2204585-3  
ELCON MINI 3P VERT HEADER,PRESS-FIT,STD



TE Part #5-1825033-6  
DRS16C04=Rot Dip,w/Shaft

## Documents

### Product Drawings

[BMB-B 0805 750R N7](#)

English

### CAD Files

[3D PDF](#)

3D

Customer View Model

[ENG\\_CVM\\_CVM\\_5-1624117-6\\_BA.2d\\_dxf.zip](#)

English

Customer View Model

[ENG\\_CVM\\_CVM\\_5-1624117-6\\_BA.3d\\_igs.zip](#)

English

Customer View Model

[ENG\\_CVM\\_CVM\\_5-1624117-6\\_BA.3d\\_stp.zip](#)

English

By downloading the CAD file I accept and agree to the [Terms and Conditions](#) of use.

### Datasheets & Catalog Pages



Multilayer Chip Beads - Type BMB-B Series - Tyco Electronics Passives

English